

投光灯具系列 TG202, TG203 Projector luminare series

产品特点 Material & Characteristic

- 搭扣封盖设计，快捷开合，维护方便。
- 设计上采用一体两腔结构，从本质上解决光源温升对电器的根本影响。
- 先进的照明光学优化设计，光线均匀、柔和、无眩光、无重影。
- 外壳采用进口优质铝材，压铸成型，抗震性能好，坚固实用。
- 密封圈采用优质硅橡胶、耐高温，抗老化，特殊的密封方式，可在各种环境和气候下使用。
- 反射器采用高纯镜面铝，反射效率高。
- 先进玻璃钢化技术，抗冲击性能强，透光率高。
- 表面采用高科技静电喷涂技术，防腐性能好，附着力强

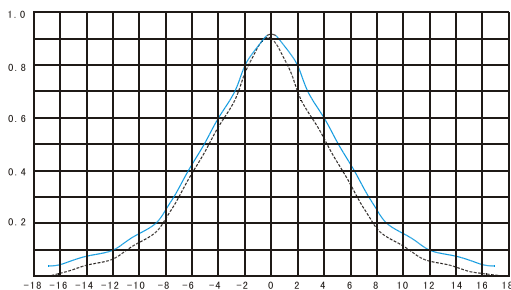
- Hasp cover design, fast opening and closing, easy maintenance.
- Integration design of the two-cavity structure, lamp temperature rise impact on electrical parts is essentially minimize.
- Optimization of illumination optical design. Uniform and soft light, no glare, no ghosting.
- Imported high-quality aluminum shell, die-casting molding. Solid and practical performance.
- Use high-quality silicone rubber with high temperature resistance, anti-aging. Special seals can be use in various environment and climate.
- Use high-purity aluminum as reflector with high efficiency of reflecting.
- Advanced technology for tempered glass, strong shock resistance and high light transmittance.
- Surface treatment of electrostatic spraying technology. Anti-corrosion performance and strong adhesion.



应用范围 Applications

- 建筑物、体育场、广场、码头、绿化照明、广告、大厦外景、车站、铁路、隧道、港口等户外照明。
- Buildings, stadiums, squares, docks, green lighting, advertising, building outlines, stations, railways, tunnels, ports and other outdoor lighting.

配光曲线 Luminous intensity cure



技术参数 Product Parameter

IP65

型号 Model	光源/灯功率 Lamp	灯头 Base	电压/频率 Voltage & frequency
HQBN-70L/TG202	MH/HPS 70W	E27	220V/50Hz
HQBN-150L/TG202	MH/HPS 150W	E27	220V/50Hz
HQBG-175L/TG202	MH/HPS 175W	E27	220V/50Hz
HQBN-250L/TG203	HPS 250W	E40	220V/50Hz
HQBN-400L/TG203	HPS 400W	E40	220V/50Hz
HQBG-250L/TG203	MH 250W	E40	220V/50Hz
HQBG-400L/TG203	MH 400W	E40	220V/50Hz

光源安装步骤 Lamp installation steps:



光源安装步骤:

步骤一：按图1所示依次将四个搭扣打开。

步骤二：打开四个搭扣后，按图2所示将面盖向上揭开。

步骤三：将功率适配的光源按图示方向正确旋入灯座内。

步骤四：合上面盖，按图所示用力把搭扣向内压固定好玻璃。注意玻璃和反射罩间必须要配合好，否则有可能会进水。

Lamp installation steps:

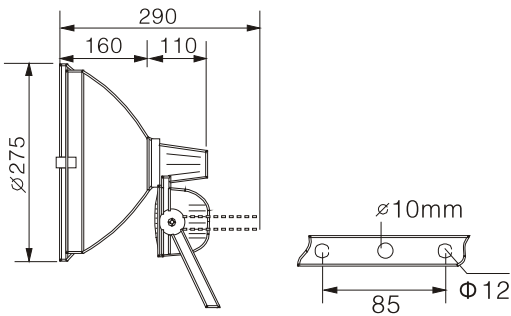
Step One: As shown in Figure 1, open four hasp.

Step Two: Open up cotton cover as shown in Figure 2.

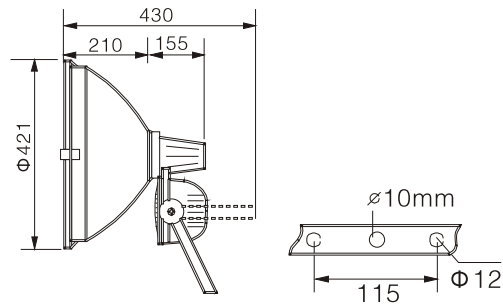
Step three: Correctly screw the light source with adapted wattage into the lamp holder.

Step four: As shown, close the cover and press the hasp to fix the tempered glass. Take note that the cover glass and reflector must closely match to prevent water.

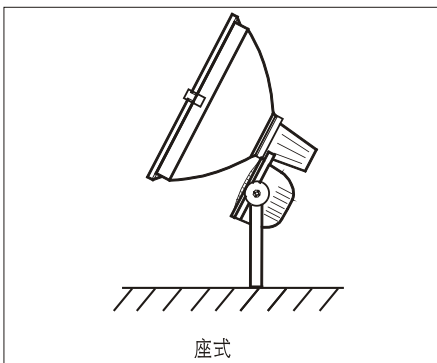
灯具尺寸及安装方式 Luminaire installation:



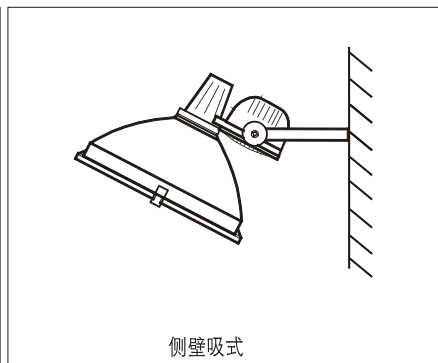
TG202



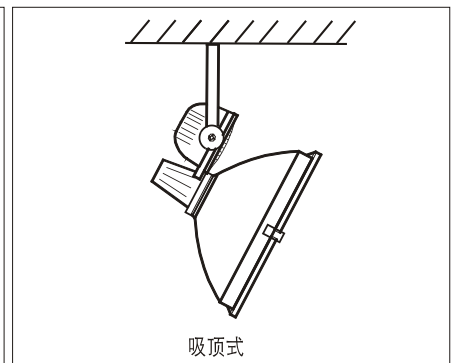
TG203



座式



侧壁吸式



吸顶式