

## 泛光灯具系列 FG02A Floodlighting luminaire series

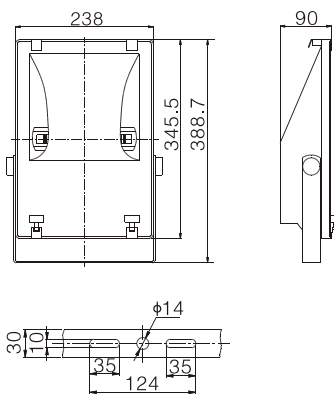
### 产品特点 Material & Characteristic

- 中国CQC安全认证。
- I级电气绝缘保护。
- 高压铸铝灯体,高光效阳极铝反光器。
- 对称反光器。
- 5mm安全钢化玻璃。
- The safety certification CQC of China
- Class I electrical insulation protection
- High-pressure die-cast aluminum body, high efficacy reflector in positive pole.
- Can be chosen and asymmetric
- 5mm safe reinforced glass

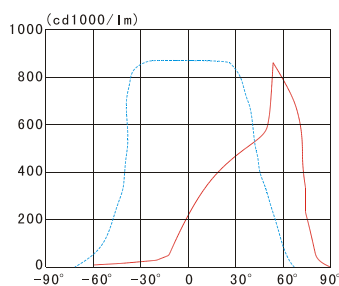
### 应用范围 Applications

- 建筑物、体育场、广场、码头、绿化照明、广告、大厦外景、车站、铁路、隧道、港口等户外照明。
- Buildings, stadiums, squares, docks, green lighting, advertising, building outlines, stations, railways, tunnels, ports and other outdoor lighting.

### 产品尺寸 size



### 配光曲线 Luminous intensity curve



### 技术参数 Product Parameter

IP65

型号 Model	光源/灯功率 Lamp	灯头 Base	电压/频率 Voltage & frequency
HQBN-70L/FG02A	MH/HPS 70W	Rx7s/E27	220V/50Hz
HQBN-150L/FG02A	MH/HPS 150W	Rx7s/E27	220V/50Hz