

泛光灯具系列 CNL73 Floodlighting luminaire series

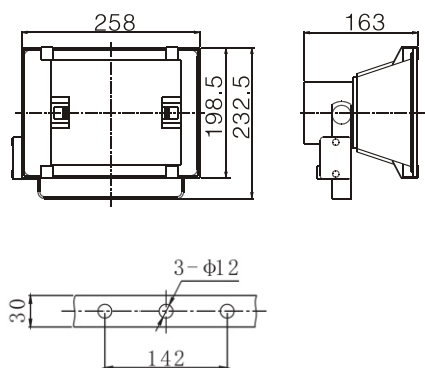
产品特点 Material & Characteristic

- 浇注铝合金成型联体电器箱。
- 专为窄光束, 中光束设计的阳极氧化铝反射器。
- 耐高温硅橡胶密封带和钢化玻璃。
- 较高的防水, 防尘等级。
- 颜色: 灰白色
- United gear box shaped with aluminum alloy.
- positive pole alumina reflector designed only for narrow and medium light beam.
- silicon rubber airtight band with heat resisting and toughened glass.
- High class of waterproof and dustproof.

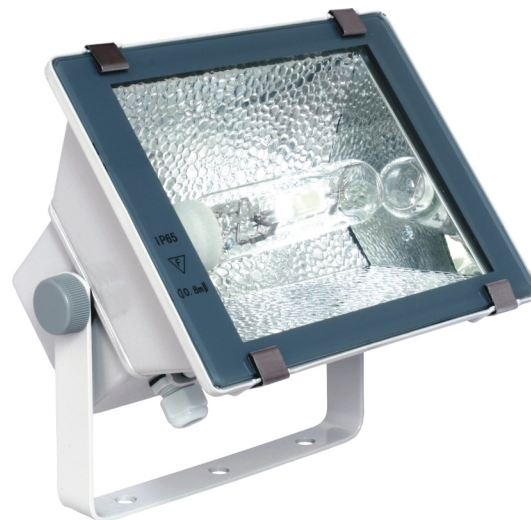
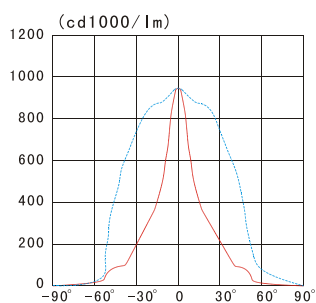
应用范围 Applications

- 建筑物、体育场、广场、码头、绿化照明、广告、大厦外景、车站、铁路、隧道、港口等户外照明。
- Buildings, stadiums, squares, docks, green lighting, advertising, building outlines, stations, railways, tunnels, ports and other outdoor lighting.

产品尺寸 size



配光曲线 Luminous intensity curve



技术参数 Product Parameter



型号 Model	光源/灯功率 lamp	灯头 Base	电压/频率 Voltage & frequency
CNLBN-70L/CNL73	MH/HPS 70W	Rx7s/E27	220V/50Hz
CNLBN-150L/CNL73	MH/HPS 150W	Rx7s/E27	220V/50Hz