

## 道路灯具系列 LD34 Road lighting series

### 产品特点 Material & Characteristic

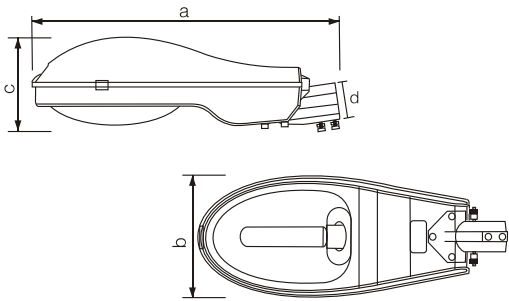
- 灯具的灯体，面框及尾座为铝合金压铸而成，结构轻巧、牢固，表面防腐静电喷涂处理，持久耐用。
- 耐高温，高透明钢化玻璃材料，透光性好，强度高。
- 内置硅胶密封胶圈，优越的防尘防水性能，电器防护等级达到IP65，减低灯具维修率。
- 用弹性扣紧器脱卸，一体化设计，使用电器部件安装于灯具内部，维护检修方便。
- 安装高度：8-12m。
- The body, frame and backstay cast by aluminum alloy, light and solid construction, outside disposal with static electricity plastic-spr, perdurable
- Heat resisting, materials of high transparent toughened glass, good transparency, high intensity.
- Inner silicon rubber airtight ring, perfect anti-dust and anti-water performance, protective class up to IP65, lessens the repairing incidence of the lamps.
- Stretch buckle for discharging, united design, and inner fixed electric devices, convenient for repairing.
- Fixing height:8-12m



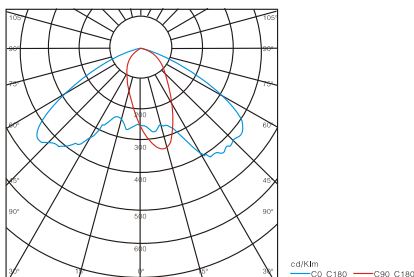
### 应用范围 Applications

道路、收费站、高架桥、停车场、广场等场所。  
road, bridge, square, dock, parking lot, city district ect.

### 产品尺寸 size



### 配光曲线 Luminous intensity cure



### 技术参数 Product Parameter

IP65

型号 Model	光源/灯功率 lamp	灯头 Base	电压/频率 Voltage & frequency	产品尺寸 Size(mm)			
				a	b	c	d
HQBN-70L/LD34	HPS 70W	E27	220V/50Hz	500	200	136	50
HQBN-150L/LD34	HPS 150W	E27/E40	220V/50Hz	639	269	170	65
HQBN-250L/LD34	HPS 250W	E40	220V/50Hz	764	302	189	65