

直管型美标金属卤化物灯  
American standard metal halide lamp with single-ended



特点:

- 发光效率高,颜色持续稳定。
- 寿命长,有优良的性价比。

适用场合:

- 适用于体育场(馆)、展览中心、大型百货商场、
- 游乐场所、广场、建筑泛光照明。

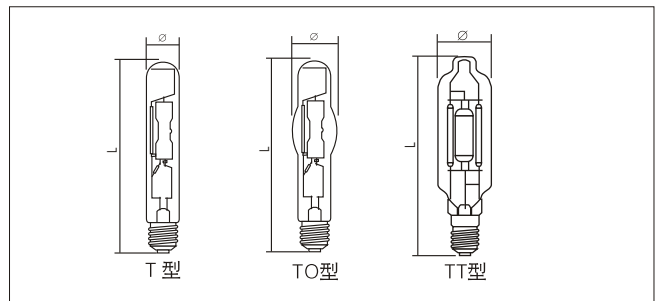
Characteristics:

- High luminous efficacy, color appearance is stable.
- Long life, good performance but in low cost.

Applications:

- Sports gym, exhibition center, large merchandise, park, building flooding illumination.

产品尺寸图  
size



技术参数  
data sheet

| 型号<br>Model   | 产品代码<br>Code | 功率<br>Power<br>(W) | 灯电流<br>Lamp<br>current<br>(A) | 光通量<br>Luminous<br>flux<br>(Lm) | 色温<br>Color<br>temperature<br>(K) | 直径<br>Max.<br>Diameter<br>∅(mm) | 全长<br>Length<br>L(mm) | 灯头<br>Base | 平均寿命<br>Average Life<br>(h) | 玻壳<br>Bulb |
|---------------|--------------|--------------------|-------------------------------|---------------------------------|-----------------------------------|---------------------------------|-----------------------|------------|-----------------------------|------------|
| HQ/JLZ175-T1  | 2610410006   | 175                | 1.50                          | 14000                           | 4000                              | 37.5                            | 170                   | E27        | 10000                       | T          |
| HQ/JLZ175-T2  | 2610410007   | 175                | 1.50                          | 14000                           | 4000                              | 46                              | 210                   | E40        | 10000                       | T          |
| HQ/JLZ250-T   | 2610412001   | 250                | 2.10                          | 20500                           | 4000                              | 46                              | 210                   | E40        | 10000                       | T          |
| HQ/JLZ400-TO  | 2610417004   | 400                | 3.25                          | 36000                           | 4000                              | 65                              | 280                   | E40        | 10000                       | TO         |
| HQ/JLZ1000-TT | 2610422003   | 2000               | 4.10                          | 110000                          | 4000                              | 84                              | 385                   | E40        | 8000                        | TT         |
| HQ/JLZ2000-TT | 2610426002   | 2000               | 10.30                         | 190000                          | 4000                              | 90                              | 455                   | E40        | 3000                        | TT         |