

## 室内HID电器箱-B箱 HID Gear Box for Indoor Lighting

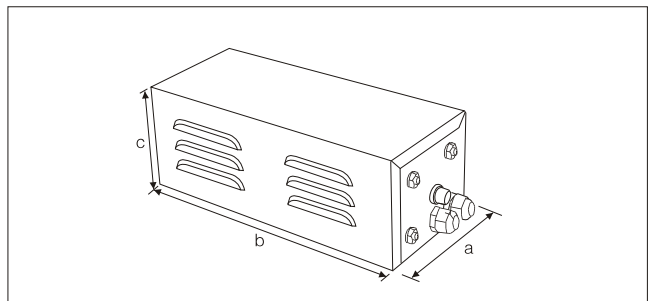


HID户内照明电器箱体积小、性能优越、稳定、寿命长。配电箱是由极高品质的电器配件组合，产品出厂前经过严格的安全及性能检测。使用环境温度为  $-25^{\circ}\text{C} \sim 50^{\circ}\text{C}$ ，外壳采用电解铁板经喷塑处理，具有非常强的防锈能力，外壳上带有可维护的保险装置有耐高温、高压的引线输出和具有较强耐温的电源引入线，使用方便、可靠。

HID gearbox for indoor lighting features:

- Small size;
- Excellent stable performance, long service life ;
- Assembled by high quality components and parts;
- Passed strict safety and performance tests before shipping;
- Operating temperature:  $-25^{\circ}\text{C} \sim 50^{\circ}\text{C}$ ;
- Anodizing iron casing and plastic spurts coating for anti-corrosion;
- Easy to maintain with fuses on case;
- Output leads with high heat and high voltage resistance, input leads for power supply with high heat resistance;
- Easy to use and reliable.

产品尺寸图  
size



### 技术参数 data sheet

| Ballast     |              |                                  |                              |                                     |                  | Lamp              |                         |                       |  |
|-------------|--------------|----------------------------------|------------------------------|-------------------------------------|------------------|-------------------|-------------------------|-----------------------|--|
| 型号<br>Model | 产品代码<br>Code | 电源电压<br>Supply voltage<br>(v/Hz) | 输入电流<br>input current<br>(A) | 功率因数<br>power factor<br>$\cos \phi$ | 产品尺寸<br>Size(mm) | 灯泡类型<br>bulb type | 灯管电流(A)<br>tube current | 灯管功率(W)<br>tube power |  |
|             |              |                                  |                              |                                     | a                | b                 | c                       |                       |  |
| HQBG-250L/B | 2420312001   | 220V 50Hz                        | 1.364                        | 0.9                                 | 126 295 111      | MH                | 2.13                    | 250                   |  |
| HQBG-400L/B | 2420317001   | 220V 50Hz                        | 2.141                        | 0.9                                 | 126 295 111      | MH                | 3.25/3.40               | 400                   |  |
| HQBN-250L/B | 2420212001   | 220V 50Hz                        | 1.389                        | 0.9                                 | 126 295 111      | HPS/MH            | 3.00                    | 250                   |  |
| HQBN-400L/B | 2420217001   | 220V 50Hz                        | 2.192                        | 0.9                                 | 126 295 111      | HPS/MH            | 4.60                    | 400                   |  |
| HQBN-600L/B | 2420219001   | 220V 50Hz                        | 3.258                        | 0.9                                 | 126 295 111      | HPS/MH            | 6.20                    | 600                   |  |
| HQBj-175L/B | 2420410001   | 220V 50Hz                        | 1.050                        | 0.9                                 | 126 295 111      | MH                | 1.50                    | 175                   |  |
| HQBj-250L/B | 2420412001   | 220V 50Hz                        | 1.460                        | 0.9                                 | 126 295 111      | MH                | 2.15                    | 250                   |  |