

CNL
OPTOELECTRONIC



LAMPS
ELECTRIC APPLIANCES
LIGHTING FIXTURES

光源·电器·灯具

2012-2013



CNL 中照光电

—— 从心亮起的光明 ——



佛山市中照光电科技有限公司（CNL中照光电），公司总部位于广东省佛山市西樵西岸工业区，是一家专注于高端的光源、灯具、照明控制装置及LED光源和LED驱动控制等照明产品的制造、销售和技术研究的高新技术型企业。为客户提供方案设计、产品供应、技术支持、售后跟踪等一系列的服务，让客户充分感受到专业照明所带来的魅力。

公司具有雄厚技术和供应实力，具备一流的生产和试验装备及优秀的管理系统进行产品制造。生产装备拥有德国、日本等进口的最先进设备和无尘车间进行生产，科学的全面执行ISO9001质量体系与ERP资源信息管理系统管理；

产品制造过程采用SPC信息在线实时监控，全面推行六西格玛管理，把产品缺陷率控制在六西格玛能力（百万分之3.4以下）；装备完善的照明技术实验室，已经获取多个国际机构的实验室认可；产品全面执行IEC国际标准和GB中国国家标准。

公司多年来不懈地致力于城市节能改造、道路交通照明、商业照明、景观照明、工矿照明等领域照明业务开展，立志于照明解决方案，并长期持续与照明行业内的国内及国际大公司合作，如：国际最大的HID电器产品制造商：“佛山市华全电气照明有限公司”。众多优秀公司的集合，保证了“CNL中照光电”的产品拥有世界上先进的技术，世界一流的品质，是性能价格比最优的产品，具有最强的市场竞争力。

公司远景：追求可持续发展、永续经营的远景，致力于提供专业的绿色照明产品与技术服务，努力打造以技术研发创新、渠道建设、品牌经营为主的三大核心竞争力，立志成为行业领先者。

公司使命：为顾客创造价值、为员工创造机会、为社会承担责任。

公司精神：敬业、诚信、团队、创新。

“CNL中照光电”期待您的光临和加盟，让我们携手共进！





Headquarter in Xi'an industrial park, Foshan city, Guangdong province, P.R. China, Foshan CNL Optoelectronic Technology Co., Ltd. (CNL) is a high-tech enterprise dedicated to developing, producing and selling high-end HID or LED lamp/electrical appliance/lighting fixture, as well as offering lighting solutions and after-service. We provide a series of service to customers including design, manufacture, distribution, mounting, debug and maintenance.

We have advanced technology and strong supply. The factory is equipped with advanced machines from Germany, Japan and dustless workshops, fully implementing ISO9001 quality system and ERP system. We adopt a computerized real-time process control system - SPC and 6 sigma quality methodology to ensure the disqualification rate under 3.4 per million. We establish a well-equipped professional laboratory for lighting and electrical product tests, which has been recognized by many famous international lighting brands. All of our products conform to IEC international standard and GB China national standard.

For many years we are dedicated to providing products and lighting solutions on energy-saving, road traffic lighting, commercial lighting, landscape lighting and industrial lighting. We have established a long-term cooperation relationship with many famous big companies home and abroad, such as the biggest HID electrical appliance manufacturer in the world - Foshan Huaquan Electrical Lighting Co., Ltd.. It is working with such excellent companies that greatly ensures CNL products, with its world-class technology and quality, to be the best and most competitive one on product performance and price.

Company visions: pursue sustainable development, commit to providing professional green lighting products and technical service, and endeavor to develop its competence through technical innovation, channel development and brand management, to be the industrial leader.

Company mission: create value for customers and opportunities for staff, take social responsibilities.

Company spirit: conscientious, honest, united and innovative.

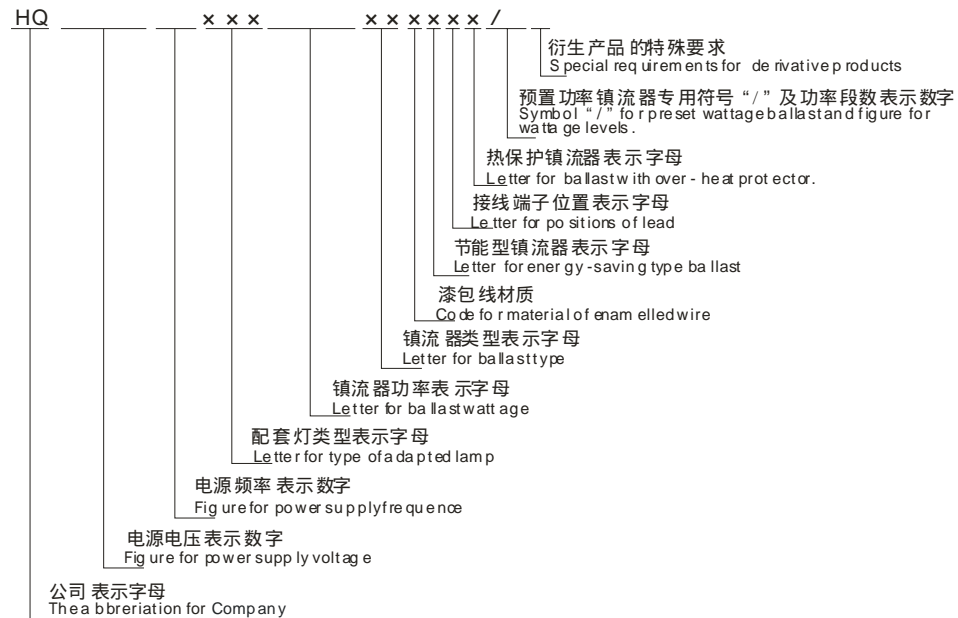
CNL looks forward to your visit and join, let us go forward together!





HID 镇流器的型号及代码 The Coding System of HID Ballast Models

编码规则: Coding Rules:



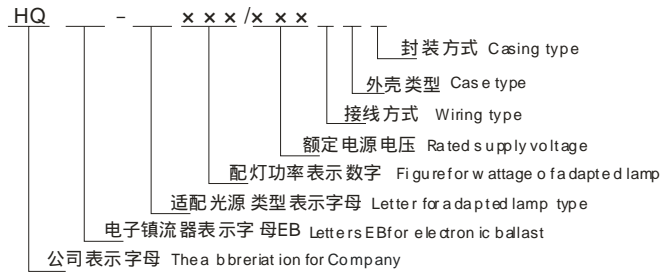
说明:
Notes:

表示字母 Letter Codes	配套类型 Type	表示字母 Letter Codes	配套类型 Type
LNG	低管压高压钠灯压镇流器 Ballast for HP S lamp with low tube voltage	NG	标准管压(欧标)高压钠灯泡镇流器 Ballast for Europe standard HPS lamp with regular tube voltage
GGY	荧光高压汞灯泡镇流器 Ballast for fluorescent high voltage mercury lamp	Z	阻抗式 Impedance type
JLZ	照明金属卤化物灯镇流器(美标) Ballast for US standard MH lamp	ZF	阻抗灌封式 Impedance and resin sealed type
MH	照明金属卤化物灯镇流器(欧标) Ballast for Europe standard MH lamp	L	漏磁升压式 Magnetic leakage and voltage-up type
JD	镝灯镇流器 Ballast for dysprosium lamp	J	节能式 Energy-saving type
HNG	变功率镇流器 Dimming ballast	U	接线端子在上 Lead terminal up
GGZ	直管形紫外线高压汞灯镇流器 Ballast for linear ultraviolet, high voltage mercury lamp	T	热保护镇流器 Ballast with over-heat protector
KN	钪钠灯镇流器 Ballast for scandium and sodium lamp	Q	其它 Others
WT	舞台灯配套镇流器 Ballast for stage lamp		



电子镇流器的型号及代码 The Coding System of Electronic Ballast Models

编码规则: Coding Rules:



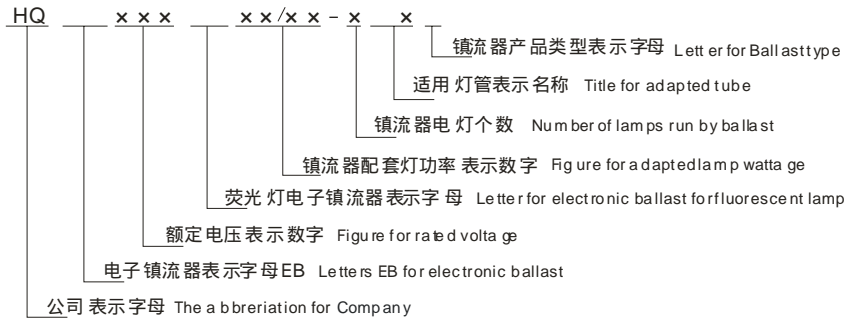
说明:
Notes:

表示字母 Letter Codes	配套类型 Type	表示字母 Letter Codes	配套类型 Type
EB	电子镇流器 Electronic Ballast	NG	标准管压 (欧标) 高压钠灯泡镇流器 European standard HP Slamp with regular tube voltage
LNG	低管压高压钠灯压镇流器 Ballast for HP S lamp with low tube voltage	WT	舞台灯配套镇流器 Ballast for stage lamp
JLZ	照明金属卤化物灯镇流器 (美标) US standard Ballast for MH lamp		
MH	照明金属卤化物灯镇流器 (欧标) European standard Ballast for MH lamp		



荧光灯电子镇流器的型号及代码 The Coding System of Fluorescent Lamp Ballast Models

编码规则: Coding Rules::



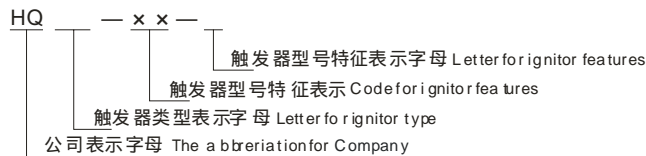
说明:
Notes:

表示字母 Letter Codes	配套类型 Type	表示字母 Letter Codes	配套类型 Type
EB	电子镇流器 Electronic Ballast	PLCB	灯管形状 Tube shape
YZ	荧光灯镇流器 Fluorescent Ballast		
J	经济型 Economic type		
B	标准型 Standard type		



电子触发器的型号及代码 The models and Coding system of Electronic ignitor

编码规则: Coding Rules:



说明:
Notes:

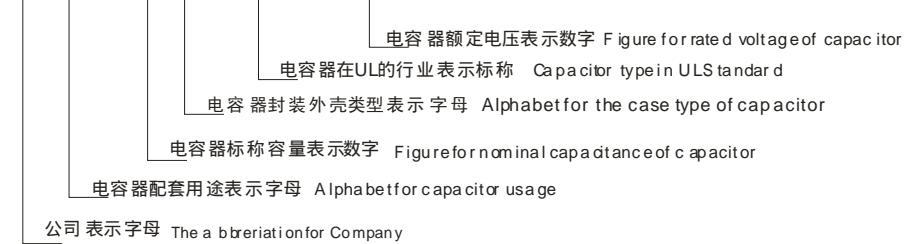
表示字母 Letter Codes	配套类型 Type	表示字母 Letter Codes	配套类型 Type
IG	常规触发器 Conventional Ignitor	L	远距离 Long Distance
CD	常规触发器 Conventional Ignitor	3M	抽头式触发器 Tap Type Ignitor



电容的型号及代码 Capacitor Coding System

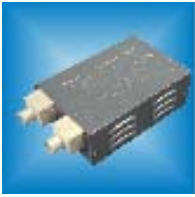
编码规则 Coding Rules:

HQ □□ - ×× / □ (□□□□□ , ×××××)



说明 Notes:

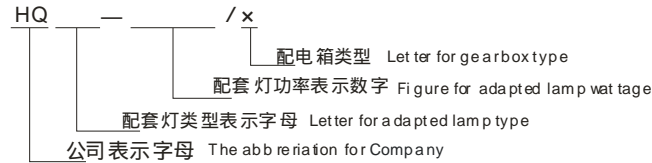
名称 Items	表示字母/数字 Letter/Figure code	配套类型 Adapted types
电容器配套用途表示字母 Letter code for capacitor usage types	CC	照明电容器 (额定电压在500V以下) Capacitor for lighting (Rated voltage below 500v)
	CS	照明电容器 (额定电压在500V以上) Capacitor for lighting (Rated voltage over 500v)
	CM	与电机配套使用的电容器 Capacitor designed for electric motor
	CB	与配电柜配套使用的并联电力电容器 Power Supply Capacitor (in parallel connection) for distribution board
电容器标称容量表示数字 Figure code for nominal capacitance	2~60	电容器容量(uF) Capacitance in microfarads
电容器在UL的行业表示标称 Letter code for capacitor in UL way	CBB65	铝外壳电容(行业内在UL的通用标称) Aluminum case (UL way)
	CBB60	塑料外壳电容(行业内在UL的通用标称) Plastic case (UL way)
电容器额定电压表示数字 Figure code for rated voltage	250~540V	电容器电压(V) Rated voltage
电容器封装外壳类型表示字母 Letter code for capacitor case type	/P	默认抛光塑壳/没有默认氧化铝壳 Default for polished plastic case/not for polished aluminum case



HID 电器箱的型号及代码

The Coding System of HID Gear Box Models

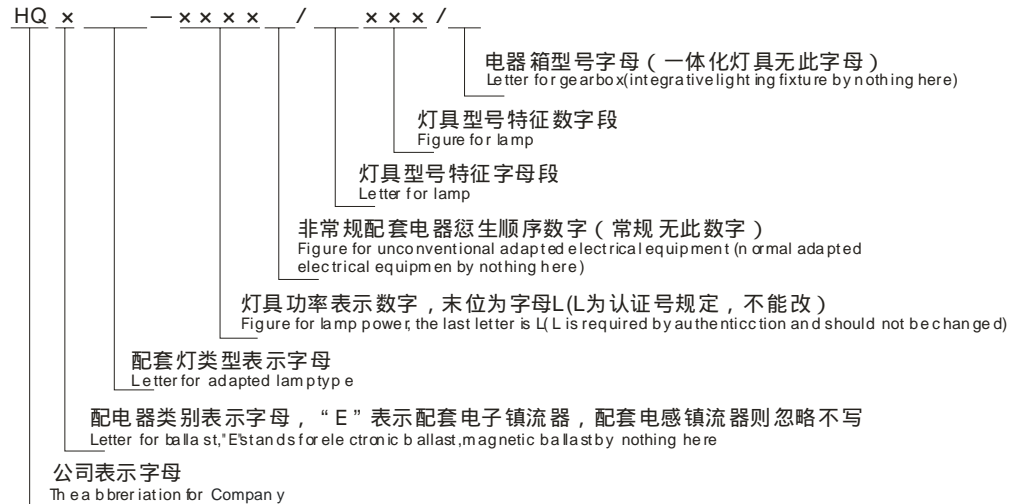
编码规则: Coding Rules:



灯具的型号及代码

The Coding System of HID Gear Box Models

编码规则: Coding Rules:



说明:

Notes:

表示字母 Letter Codes	配套类型 Type	表示字母 Letter Codes	配套类型 Type
BG	荧光高压汞灯泡配电箱 Gear box for fluorescent high pressure mercury bulb	B	B型电器箱 B type gear box
BO	照明金属卤化物灯 (欧标) 配电箱 Gear box for European standard MH lamp	C	C型电器箱 C type gear box
BJ	照明金属卤化物灯 (美标) 配电箱 Gear box for US standard MH lamp	D	D型电器箱 D type gear box
BNH	高压钠灯泡配电箱 Gear box for HPS lamp with high tube voltage	E	压铸铝电器箱 Aluminium die cast gear box
BNL	低压钠灯泡配电箱 Gear box for HPS lamp with low tube voltage	F	导轨灯电器箱 Guideway lamp gear box
BN	高压钠灯泡配电箱 Gear box for HPS lamp	S	微型电器箱 Miniature type gear box
BQ	其它类灯泡配电箱 Gear box for other type lamp	S1	S1型微型电器箱 S1 type miniature gear box

Product Innovation Guide
2012-2013

产品目录
INDEX



HID光源系列
HID Lamp series

1-22



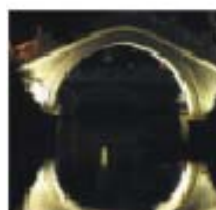
HID电器系列
HID Electric appliances series

23-44



电器箱系列
Gear box series

45-62



HID灯具系列
HID Lighting fixture series

63-136



光源与电器配套
Lamp of gas discharge
with the kit of electric
appliance

137-140





HID 光源系列
HID lamp series



产品特点：

采用镀铝反射外壳，实现不同反射角的定向照明，光利用率高
使用陶瓷电弧管，整个寿命期间光色非常稳定
防眩光设计，创造舒适照明效果
任意位置点燃

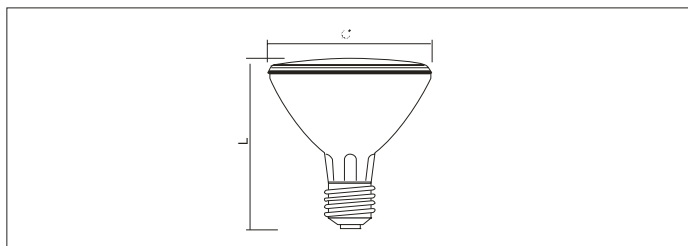
产品优势：

高光效，使用成本低
寿命长达8000小时以上，维护与更换成本低
显色性能卓越，能很好地展现产品缤纷色彩
结构紧凑，体积小，可采用形式简单的灯具，提供有效的重点照明
热能损耗小，照明效果舒适
可直接用于开放式灯具内，简化灯具设计
防紫外线石英玻壳，减少紫外线对被照物体的不良影响。

应用范围：

高档品牌服装店、珠宝展示重点照明、高档酒店照明
橱窗展示照明、其他重点照明

产品尺寸图
size



Features:

Adopt aluminum reflector as casing to achieve different reflection angle of the directional lighting, high utilization rate of light;
Ceramic arc tube, stable light color within the service life;
Anti-glare design, lighting effects to create a comfortable Light at any position

Advantages:

High luminous efficiency and low cost
Service life over 8000 hours, low maintenance and replacement costs
Outstanding color rendering performance which can present the product colors well.
Compact structure and small size, can use in simple lamps providing effective accent lighting;
Low heating loss, comfort lighting
Can be used for open type fixtures and simplify the lamp design;
UV-proof quartz glass envelope to reduce negative impact of UV exposure.

Application:

Premium clothing brand stores, jewelry accent lighting, high end hotel lighting; Show windows lighting and other accent lighting

技术参数 data sheet

型号 Model	功率 Power (W)	色温 Color Temperature (K)	管压 Lamp Tube Voltage (V)	灯电流 Lamp Current (A)	平均寿命 Average Life (H)	灯头 Lamp holder	显色指数 Color Rendering Index	角度 Angle (°)	最大长度 Max. Length (mm)	最大直径 Max. Diameter Ø (mm)
CMH20 - R30/830/SP10/E27	20	3000	95	0.21	8000	E27	83	10	124	96
CMH20 - R30/942/SP10/E27	20	4200	95	0.21	8000	E27	92	10	124	96
CMH35 - R30/830/SP10/E27	35	3000	90	0.53	8000	E27	83	10	124	96
CMH35 - R30/942/SP10/E27	35	4200	90	0.53	8000	E27	92	10	124	96
CMH70 - R30/830/SP10/E27	70	3000	90	0.98	8000	E27	83	10	124	96
CMH70 - R30/942/SP10/E27	70	4200	90	0.98	8000	E27	92	10	124	96
CMH20 - R30/830/FL25/E27	20	3000	95	0.21	8000	E27	83	25	124	96
CMH20 - R30/942/FL25/E27	20	4200	95	0.21	8000	E27	92	25	124	96
CMH35 - R30/830/FL25/E27	35	3000	90	0.53	8000	E27	83	25	124	96
CMH35 - R30/942/FL25/E27	35	4200	90	0.53	8000	E27	92	25	124	96
CMH70 - R30/830/FL25/E27	70	3000	90	0.98	8000	E27	83	25	124	96
CMH70 - R30/942/FL25/E27	70	4200	90	0.98	8000	E27	92	25	124	96
CMH20 - R30/830/WFL40/E27	20	3000	95	0.21	8000	E27	83	40	124	96
CMH20 - R30/942/WFL40/E27	20	4200	95	0.21	8000	E27	92	40	124	96
CMH35 - R30/830/WFL40/E27	35	3000	90	0.53	8000	E27	83	40	124	96
CMH35 - R30/942/WFL40/E27	35	4200	90	0.53	8000	E27	92	40	124	96
CMH70 - R30/830/WFL40/E27	70	3000	90	0.98	8000	E27	83	40	124	96
CMH70 - R30/942/WFL40/E27	70	4200	90	0.98	8000	E27	92	40	124	96

商业照明显色性
Commercial Lighting Color Rendering

光源对物体的显色能力称为显色性，是通过与同色温的参考或基准光源（白炽灯或自然光）下物体外观颜色的比较。光源的显色性对于展示有色物体的颜色外观有显著影响。CIE 用一般显色指数Ra作为表示光源性能的指标，它根据规定的8种不同色调的试验色，在被测光源和参照光源照明下的色位平均值确定的，Ra的理论最大值是100

The color appearance for lighting on the object is called color rendering. It is measured by the same color temperature light reference or comparison with reference light source (incandescent or natural light) on object color appearance. Light source color rendering has significant effect on the display of the object's color appearance. CIE uses general color rendering index Ra as the light source performance indicator. It is determined by the measured light and reference light source illumination color bit average value according to the regulated eight different tested color. Maximum Ra' is 100 in theory.

Ra : 90-100

显色性出众

应用：适用于强调显色性为至关重要评定指标的场所。

Superior color rendering

Application: applies to places with critical assessment of color rendering.

Ra: 80-90

显色性良好

应用：适用于对显色性要求良好为必要评定指标的场所。

Good color rendering

Application: applies to places with requirements of good color rendering.

Ra: 60-80

显色性中等至较差

应用：适用于对显色性要求不高的场所。

Moderate to poor color rendering

Application: suitable for places with less demanding on the color rendering.



显色性佳 Ra90



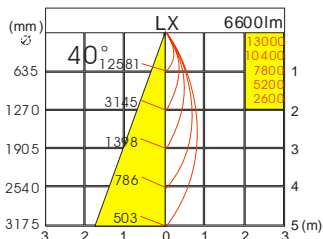
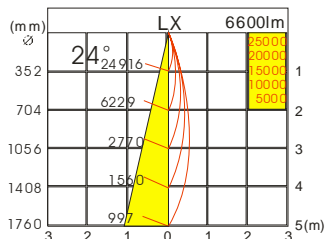
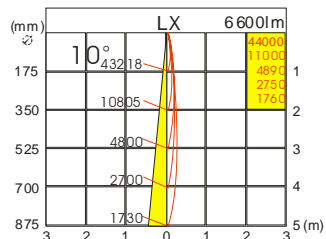
显色性差 Ra60



Ra80-90

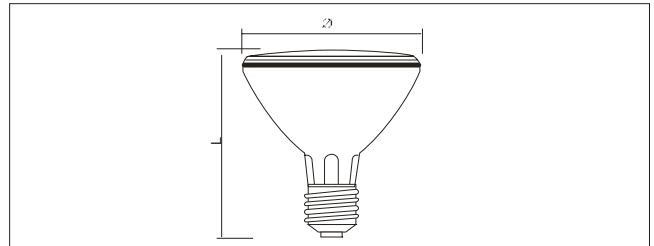


Ra60-80





产品尺寸图
size



产品特点：

采用镀铝反射外壳，实现不同反射角的定向照明，光利用率高
使用陶瓷电弧管，整个寿命期间光色非常稳定
防眩光设计，创造舒适照明效果
任意位置点燃

产品优势：

高光效，使用成本低
寿命长达8000小时以上，维护与更换成本低
显色性能卓越，能很好地展现产品缤纷色彩
结构紧凑，体积小，可采用形式简单的灯具，提供有效的重点照明
热能损耗小，照明效果舒适
可直接用于开放式灯具内，简化灯具设计
防紫外线石英玻璃壳，减少紫外线对被照物体的不良影响。

应用范围：

高档品牌服装店、珠宝展示重点照明、高档酒店照明
橱窗展示照明、其他重点照明

Features:

Adopt aluminum reflector as casing to achieve different reflection angle of the directional lighting, high utilization rate of light;
Ceramic arc tube, stable light color within the service life;
Anti-glare design, lighting effects to create a comfortable Light at any position

Advantages:

High luminous efficiency and low cost
Service life over 8000hours, low maintenance and replacement costs
Outstanding color rendering performance which can present the product colors well.
Compact structure and small size, can use in simple lamps providing effective accent lighting;
Low heating loss, comfort lighting
Can be used for open type fixtures and simplify the lamp design;
UV-proof quartz glass envelope to reduce negative impact of UV exposure.

Application:

Premium clothing brand stores, jewelry accent lighting, high end hotel lighting; Show windows lighting and other accent lighting

技术参数 data sheet

型号 Model	功率 Power (W)	色温 Color Temperature (K)	管压 Lamp Tube Voltage (V)	灯电流 Lamp Current (A)	平均寿命 Average Life (H)	灯头 Lamp holder	显色指数 Color Rendering Index	角度 Angle (°)	最大长度 Max. Length L (mm)	最大直径 Max. Diameter ∅ (mm)
CMH20- R20/830/SP10/E27	20	3000	95	0.21	8000	E27	83	10	96	65
CMH20- R20/942/SP10/E27	20	4200	95	0.21	8000	E27	92	10	96	65
CMH35- R20/830/SP10/E27	35	3000	90	0.53	8000	E27	83	10	96	65
CMH35- R20/942/SP10/E27	35	4200	90	0.53	8000	E27	92	10	96	65
CMH20- R20/830/FL25/E27	20	3000	95	0.21	8000	E27	83	25	96	65
CMH20- R20/942/FL25/E27	20	4200	95	0.21	8000	E27	92	25	96	65
CMH35- R20/830/FL25/E27	35	3000	90	0.53	8000	E27	83	25	96	65
CMH35- R20/942/FL25/E27	35	4200	90	0.53	8000	E27	92	25	96	65
CMH20- R20/830/WFL40/E27	20	3000	95	0.21	8000	E27	83	40	96	65
CMH20- R20/942/WFL40/E27	20	4200	95	0.21	8000	E27	92	40	96	65
CMH35- R20/830/WFL40/E27	35	3000	90	0.53	8000	E27	83	40	96	65
CMH35- R20/942/WFL40/E27	35	4200	90	0.53	8000	E27	92	40	96	65

商业照明显色性
Commercial Lighting Color Rendering

光源对物体的显色能力称为显色性，是通过与同色温的参考或基准光源（白炽灯或自然光）下物体外观颜色的比较。光源的显色性对于展示有色物体的颜色外观有显著影响。CIE 用一般显色指数Ra作为表示光源性能的指标，它根据规定的8种不同色调的试验色，在被测光源和参照光源照明下的色位平均值确定的，Ra的理论最大值是100

The color appearance for lighting on the object is called color rendering. It is measured by the same color temperature light reference or comparison with reference light source (incandescent or natural light) on object color appearance. Light source color rendering has significant effect on the display of the object's color appearance. CIE uses general color rendering index Ra as the light source performance indicator. It is determined by the measured light and reference light source illumination color bit average value according to the regulated eight different tested color. Maximum Ra' is 100 in theory.

Ra : 90~100

显色性出众

应用：适用于强调显色性为至关重要评定指标的场所。

Superior color rendering

Application: applies to places with critical assessment of color rendering.

Ra : 80-90

显色性良好

应用：适用于对显色性要求良好为必要评定指标的场所。

Good color rendering

Application: applies to places with requirements of good color rendering.

Ra : 60-80

显色性中等至较差

应用：适用于对显色性要求不高的场所。

Moderate to poor color rendering

Application: suitable for places with less demanding on the color rendering.



显色性 Ra90



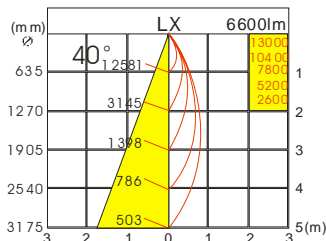
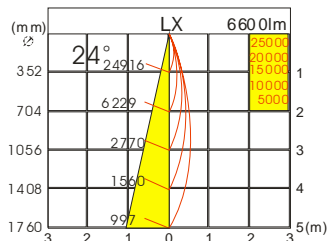
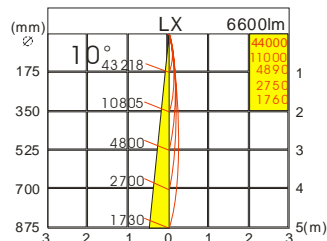
显色性 Ra60



Ra60-80



Ra90-100





产品特点：

集高光效、高显色指数和长寿命于一体
3000K和4200K两种色温可选
采用多晶氧化铝陶瓷电弧管，透光率达98%以上
任意位置点燃

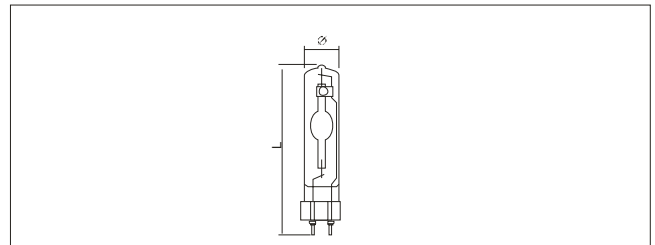
产品优势：

高光效，节电环保
寿命长达8000小时以上，维护与更换成本低
显色性能卓越，能很好地展现产品缤纷色彩
热能损耗小，照明效果舒适
防紫外线石英玻壳，减少紫外线对被照物体的不良影响

应用范围：

酒店大堂、商店、橱窗、办公室照明
用于泛光照明、商业区一般照明、公共设施的景观照明

**产品尺寸图
size**



Features:

Integration of high light efficiency, high color rendering index and long life.
Two optional color temperature of 3000K and 4200K
Using polycrystalline alumina arc tube, over 98% light transmission
Light at any position

Advantages:

High light efficiency, energy - saving and environment friendly.
Service life over 8000 hours, low maintenance and replacement costs
Superior color rendering performance which can present the product colors well.
Less heating loss and comfort lighting effect.
UV quartz glass envelope reducing adverse effects of UV exposure.

Application:

Hotel lobbies, shops, windows, office lighting
Used for flood lighting, commercial area general lighting,
landscape lighting of public facilities.

技术参数 data sheet

型号 Model	功率 Power (W)	色温 Color Temperature (K)	管压 Lamp Tube Voltage (V)	灯电流 Lamp Current (A)	光效 light efficiency (Lm/W)	平均寿命 Average Life (H)	灯头 Lamp holder	显色指数 Color Rendering Index	最大长度 Max. Length L (mm)	最大直径 Max. Diameter ∅(mm)	光中心 Optical center LCL(mm)
CMH35 - T19/830/G12	35	3000	90	0.53	85	8000	G12	83	100	19	56
CMH35 - T19/942/G12	35	4200	90	0.53	85	8000	G12	92	100	19	56
CMH70 - T19/830/G12	70	3000	90	0.98	85	8000	G12	83	100	19	56
CMH70 - T19/942/G12	70	4200	90	0.98	85	8000	G12	92	100	19	56

商业照明显色性
Commercial Lighting Color Rendering

光源对物体的显色能力称为显色性，是通过与同色温的参考或基准光源（白炽灯或自然光）下物体外观颜色的比较。光源的显色性对于展示有色物体的颜色外观有显著影响。CIE 用一般显色指数Ra作为表示光源性能的指标，它根据规定的8种不同色调的试验色，在被测光源和参照光源照明下的色位平均值确定的，Ra的理论最大值是100

The color appearance for lighting on the object is called color rendering. It is measured by the same color temperature light reference or comparison with reference light source (incandescent or natural light) on object color appearance. Light source color rendering has significant effect on the display of the object's color appearance. CIE uses general color rendering index Ra as the light source performance indicator. It is determined by the measured light and reference light source illumination color bit average value according to the regulated eight different tested color. Maximum Ra' is 100 in theory.

Ra : 90~100

显色性出众

应用：适用于强调显色性为至关重要评定指标的场所。

Superior color rendering

Application: applies to places with critical assessment of color rendering.



显色性 Ra90



显色性 Ra60

Ra: 80~90

显色性良好

应用：适用于对显色性要求良好为必要评定指标的场所。

Good color rendering

Application: applies to places with requirements of good color rendering.



Ra60~80



Ra90~100

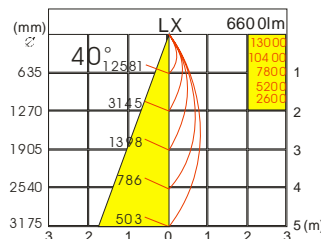
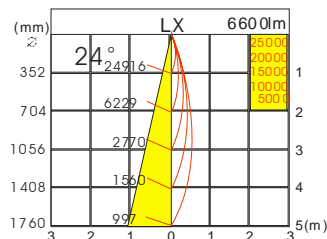
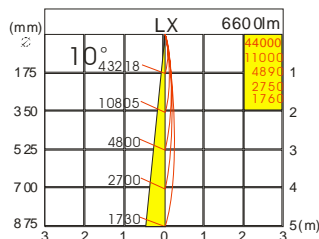
Ra: 50~80

显色性中等至较差

应用：适用于对显色性要求不高的场所。

Moderate to poor color rendering

Application: suitable for places with less demanding on the color rendering.





特点:

- 最新石英电弧管制造工艺。
- 没有辅助启动电极。
- 配阻抗式镇流器和高压脉冲触发器启动工作，是真正的脉冲启动特性。
- 在合理的点灯线路上使用，对灯的电极有更好的保护作用，可以使灯的使用寿命更持久。
- 电弧管不受燃点位置影响，可以实现任意位置的燃点。
- 光效高，100lm/W，显色指数高，Ra65以上。
- 发出明亮的光色，可以令人在室内感受到纯正的太阳光。

适用场合:

- 公共场所照明、工业照明、顶棚照明、道路照明、商业照明、体育场馆照明、仓库照明等。

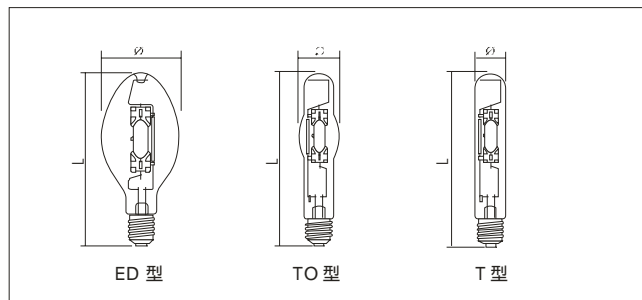
Characteristics:

- The latest manufacturing processes of perfect arc tubes.
- No auxiliary.
- Working and Starting with impedance ballast and high voltage pulse igniter is of characteristic of pulse start.
- Used in reasonable light circuit diagram, can protect the lamp electrode and extend lamp service life.
- With Electric arc tube, it can be operated at any operating position
- High luminous efficacy (100lm/W) and excellent colour rendering index (above Ra65)
- Producing bright light makes you feel the real sunshine even indoors.

Applications:

- They are regularly in use for example at public place, in shops, factories, and sports halls, in stadiums and for street lighting, warehouse lighting, wide-area lighting.

**产品尺寸图
size**



技术参数 data sheet

型号 Model	产品代码 Code	功率 Power (W)	光通量 Luminous flux (Lm)	直径 Max. Diameter φ(mm)	全长 Length L(mm)	灯头 Base	平均寿命 Average Life (h)	玻壳 Bulb
HQ/PS175-ED1	2610410101	175	14000	55	150	E27	10000	ED
HQ/PS175-ED2	2610410102	175	14000	90	210	E40	10000	ED
HQ/PS250-ED	2610412104	250	20500	90	210	E40	10000	ED
HQ/PS250-T	2610412105	250	20500	46	255	E40	10000	T
HQ/PS400-TO	2610417104	400	36000	65	280	E40	12000	TO
HQ/PS400-ED	2610417103	400	36000	120	280	E40	12000	ED



特点:

- 单脉冲启动：同时还可降低灯启动时的触发脉冲电压值，避免了灯早期发黑，减少了光衰，延长了寿命。
- 光色一致性：采用电弧管独特橄榄状外形设计，能够带来极佳的光色一致性，能达到陶瓷金卤灯效果。
- 燃点位置：电弧管不受燃点位置的限制，可以实现任意位置的燃点。
- 无焊点结构：Ed泡采用无焊点的支架安装结构，可以防止因高温氧化或振荡引起的支架焊点断裂，更加提高了灯泡的可靠性。
- 光效高：发光效率极高，比普通金卤灯光效高20%。平均光效110lm/w。
- 寿命：在合理的点灯线路上使用，对灯的电极有更好的保护作用，可以使灯的使用寿命更持久。最长可达20000小时以上。
- 稳定和再启动的时间：时间比常规光源缩短一半。

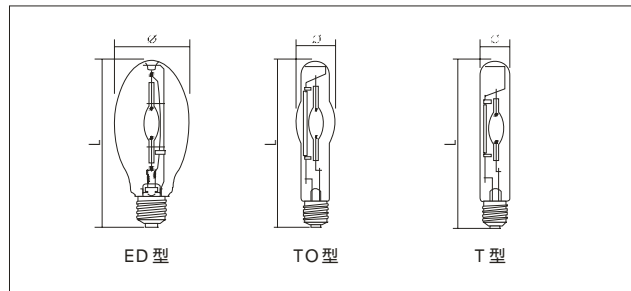
Characteristics:

- Single pulse start: Meanwhile, it reduces the igniting voltage value when starting lamp, avoiding lamp premature fail, reducing spectral attenuation, prolonging lamp service life.
- Compliance of light and colour: Adapting special outline design of oval shape brings excellent colour and light compliance, achieving ceramic Metal Halide Lamp effect
- Operating position: With Electric arc tube, it can be operated at any operating position, including the horizontal burning position and vertical burning position, better effect with vertical burning position.
- No welding - point structure: With no welding - point bracket installation structure can prevent bracket welding - point from breaking, and enhance lamp reliability.
- High luminous efficacy : Up to 20% higher luminous efficacy
- Extremely long life: Used in reasonable light circuit diagram, can protect the lamp electrode and extend lamp service life , up to 20,000 hours.
- Stabilize and restart time: It takes 50% shorter than that of regular lamp.

技术参数 data sheet

型号 Model	产品代码 Code	功率 Power (W)	灯电流 Lamp current (A)	光通量 Luminous flux (Lm)	色温 Color temperature (K)	直径 Max. Diameter ∅(mm)	全长 Length L(mm)	灯头 Base	平均寿命 Average Life (h)	玻壳 Bulb
HQ/UPS250 - T	2610412103	250	2.10	24000	4000	46	255	E40	20000	T
HQ/UPS250 - ED	2610412102	250	2.10	24000	4000	90	210	E40	20000	ED
HQ/UPS400 - TO	2610417105	400	3.25	40000	4000	65	280	E40	20000	TO
HQ/UPS400 - ED	2610417102	400	3.25	40000	4000	120	280	E40	20000	ED

**产品尺寸图
size**



适用场合:

- 公共场所照明、工业照明、顶棚照明、道路照明、商业照明、体育场馆照明、仓库照明等。

Applications:

- They are regularly in use for example at public place, in shops, factories, and sports halls, in stadiums and for street lighting, warehouse lighting, wide - area lighting.



特点:

- 发光效率高,颜色持续稳定。
- 寿命长,有优良的性价比。

适用场合:

- 适用于商业照明、大型百货商场、展示厅局级。

Characteristics:

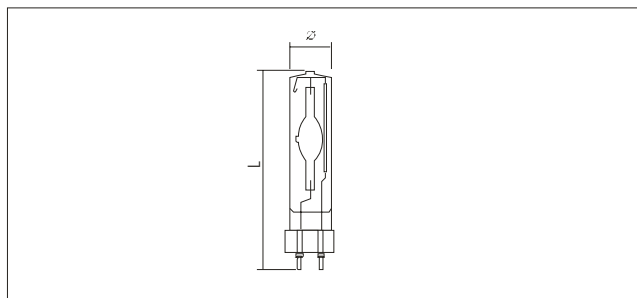
- High lighting efficacy, and color rendering is excellent.
- Long life, good performance but in low cost.

Applications:

- Sports gym, exhibition center, large merchandise, park, building flooding illumination.



产品尺寸图
size



技术参数
data sheet

型号 Model	产品代码 Code	功率 Power (W)	灯电流 Lamp current (A)	光通量 Luminous flux (Lm)	色温 Color temperature (K)	直径 Max. Diameter ∅(mm)	全长 Length L(mm)	灯头 Base	平均寿命 Average Life (h)	玻壳 Bulb
HQ/MH70 - T3	2610904007	70	0.98	5500	4200	22.5	96	G12	5000	-
HQ/MH100 - T3	2610906009	100	1.10	8500	4200	22.5	106	G12	5000	-
HQ/MH150 - T3	2610909022	150	1.80	12500	4200	22.5	106	G12	5000	-

小功率双端金属卤化物灯
Low - power double - ended metal halide lamp



特点:

- 内胆采用涂粉Al₂O₃ :
- 为了降低温度的热损耗, 保持一定的温差, 防止冷端。
- 涂粉Al₂O₃的地方温度就会升高, 增加了电弧管冷端的温度, 使其有更好的回迁效应从而改善电特性。
- 涂粉Al₂O₃能够维持一定的电特性, 防止黑光对光电参数的影响。
- 发光效率高, 寿命长。
- 光色柔和, 体积小, 配套性强。

适用场合:

- 商业照明、展览中心、广告牌照明。

Characteristics:

- Vessel coated with Al₂O₃,
- So as to reduce heat loss and keep certain difference in temperature, preventing the end from cold.
- The temperature of the part powdered with Al₂O₃ will rise. This will also increase temperature of arc tube cold end, bringing better circle effect, which will improve electric characteristics.
- Coated powder Al₂O₃ will sustain certain electrical characteristics, preventing photoelectric parameters from being affected by attached tungsten atomic which resulted from radiation.
- High lighting efficacy, long life.
- Soft lighting color, small volume, easy matched for using.

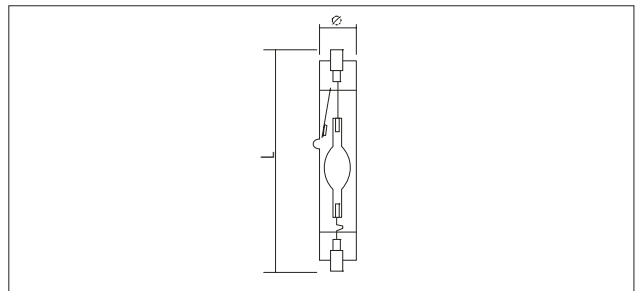
Applications:

- Commercial illumination, exhibition center, advertising illumination.

技术参数
data sheet

型号 Model	产品代码 Code	功率 Power (W)	灯电流 Lamp current (A)	光通量 Luminous flux (Lm)	色温 Color temperature (K)	直径 Max. Diameter φ(mm)	全长 Length L(mm)	灯头 Base Rx7s	平均寿命 Average Life (h)	玻壳 Bulb TD
HQ/MH70 - TD	2610904002	70	0.98	5500	4200	19	116	Rx7s	5000	TD
HQ/MH100 - TD	2610906002	100	1.10	8500	4200	22.5	135	Rx7s	5000	TD
HQ/MH150 - TD	2610909001	150	1.80	12500	4200	22.5	135	Rx7s	5000	TD

产品尺寸图
size





特点:

- 发光效率高,颜色持续稳定。
- 寿命长,有优良的性价比。

适用场合:

- 适用于体育场(馆)、展览中心、大型百货商场、
- 游乐场所、广场、建筑泛光照明。

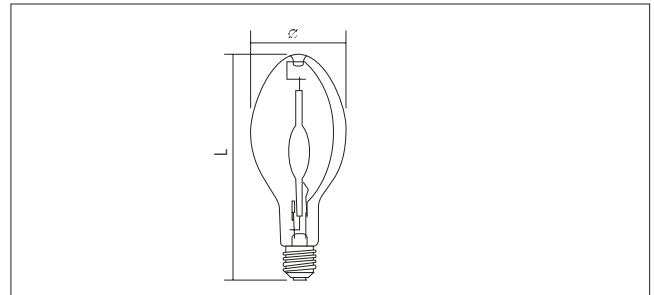
Characteristics:

- High luminous efficacy, color appearance is stable.
- Long life, good performance but in low cost.

Applications:

- Sports gym, exhibition center, large merchandise, park, building flooding illumination.

产品尺寸图
size



技术参数
data sheet

型号 Model	产品代码 Code	功率 Power (W)	灯电流 Lamp current (A)	光通量 Luminous flux (Lm)	色温 Color temperature (K)	直径 Max. Dia meter φ(mm)	全长 Length L(mm)	灯头 Base	平均寿命 Average Life (h)	玻壳 Bulb
HQ/JLZ70-ED1	2610904014	70	0.98	5600	4000	55	145	E27	6000	ED
HQ/JLZ70-ED2	2610904009	70	0.98	5600	4000	90	210	E40	6000	ED
HQ/JLZ100-ED1	2610906001	100	1.10	8500	4000	55	145	E27	6000	ED
HQ/JLZ100-ED2	2610906004	100	1.10	8500	4000	90	210	E40	6000	ED
HQ/JLZ150-ED1	2610909020	150	1.80	13500	4000	55	145	E27	6000	ED
HQ/JLZ150-ED2	2610909008	150	1.80	13500	4000	90	210	E40	6000	ED



特点:

- 本品为节能型光源，工作时发出白光。
- 具有发光效率高、寿命长、显色性好。

适用场合:

- 适用于体育场（馆）、展览中心、大型百货商场、游乐场所、广场、建筑泛光照明。

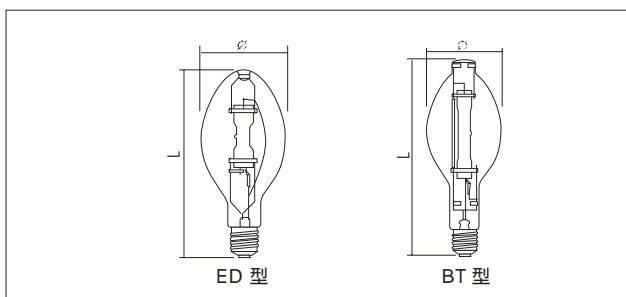
Characteristics:

- Energy - saving, daylight color .
- High lighting efficacy, long life, and color rendering is excellent.

Applications:

- Sports gym, exhibition center, large merchandise, park, building flooding illumination.

**产品尺寸图
size**



**技术参数
data sheet**

型号 Model	产品代码 Code	功率 Power (W)	灯电流 Lamp current (A)	光通量 Luminous flux (Lm)	色温 Color temperature (K)	直径 Max. Diameter φ (mm)	全长 Length L(mm)	灯头 Base	平均寿命 Average Life (h)	玻壳 Bulb
HQ/JLZ175 - ED1	2610410001	175	1.50	14000	4000	55	150	E27	10000	ED
HQ/JLZ175 - ED2	2610410002	175	1.50	14000	4000	90	210	E40	10000	ED
HQ/JLZ250 - ED	2610412005	250	2.10	20500	4000	90	210	E40	10000	ED
HQ/JLZ400 - ED	2610417006	400	3.25	36000	4000	120	280	E40	12000	ED
HQ/JLZ1000 - BT	2610422001	1000	4.10	110000	4000	180	385	E40	8000	BT



特点:

- 发光效率高,颜色持续稳定。
- 寿命长,有优良的性价比。

适用场合:

- 适用于体育场(馆)、展览中心、大型百货商场、
- 游乐场所、广场、建筑泛光照明。

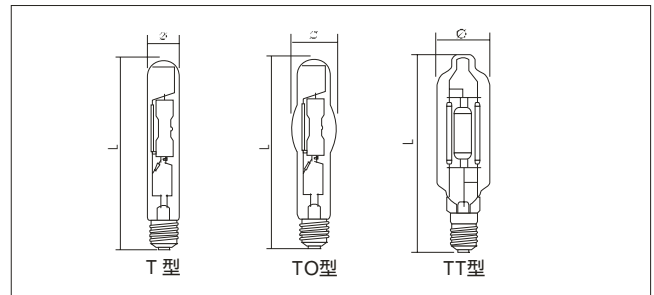
Characteristics:

- High luminous efficacy, color appearance is stable.
- Long life.good performance but in low cost.

Applications:

- Sports gym, exhibition center, large merchandise, park, building flooding illumination.

产品尺寸图
size



技术参数
data sheet

型号 Model	产品代码 Code	功率 Power (W)	灯电流 Lamp current (A)	光通量 Luminous flux (Lm)	色温 Color temperature (K)	直径 Max. Diameter φ(mm)	全长 Length L(mm)	灯头 Base	平均寿命 Average Life (h)	玻壳 Bulb
HQ/JLZ175-T1	2610410006	175	1.50	14000	4000	37.5	170	E27	10000	T
HQ/JLZ175-T2	2610410007	175	1.50	14000	4000	46	210	E40	10000	T
HQ/JLZ250-T	2610412001	250	2.10	20500	4000	46	210	E40	10000	T
HQ/JLZ400-TO	2610417004	400	3.25	36000	4000	65	280	E40	10000	TO
HQ/JLZ1000-TT	2610422003	2000	4.10	110000	4000	84	385	E40	8000	TT
HQ/JLZ2000-TT	2610426002	2000	10.30	190000	4000	90	455	E40	3000	TT



特点:

- 发光效率高,颜色持续稳定。
- 寿命长,有优良的性价比。

适用场合:

- 适用于体育场(馆)、展览中心、大型百货商场、
- 游乐场所、广场、建筑泛光照明。

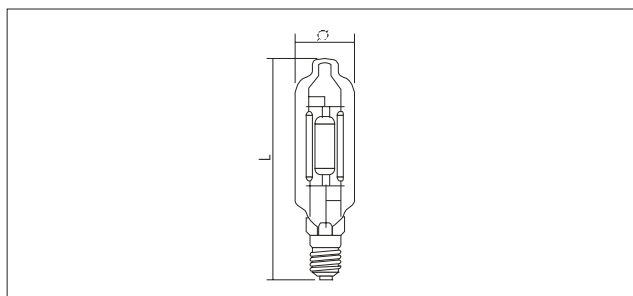
Characteristics:

- High luminous efficacy, color appearance is stable.
- Long life.good performance but in low cost.

Applications:

- Sports gym, exhibition center, large merchandise, park, building flooding illumination.

产品尺寸图
size



技术参数
data sheet

型号 Model	产品代码 Code	功率 Power (W)	灯电流 Lamp current (A)	光通量 Luminous flux (Lm)	色温 Color temperature (K)	直径 Max. Diameter ∅(mm)	全长 Length L(mm)	灯头 Base	平均寿命 Average Life (h)	玻壳 Bulb
HQ/MH1000 - TT	2610922001	1000	8.25	85000	4000	84	385	E40	8000	TT



特点:

- 光源光效率高，满足各种照明需要、任意位置点燃。
- 显色性好、寿命长。
- 光通量稳定性和维持性能好。
- 有红,绿,兰,紫等多种颜色。

适用场合:

- 公园照明、彩色泛光照明。

Characteristics:

- High luminous efficacy, meet all kind of lighting requirement, bum position discretionarily.
- Color appearance is stable, long life.
- good stability of luminous flux.
- Have red, green, blue, purple, . colors and so on.

Applications:

•

Park lighting, colorful flood lighthgting.

注: □是表示标准颜色的,G表示绿色、R表示红色、P表示紫色、B表示兰色

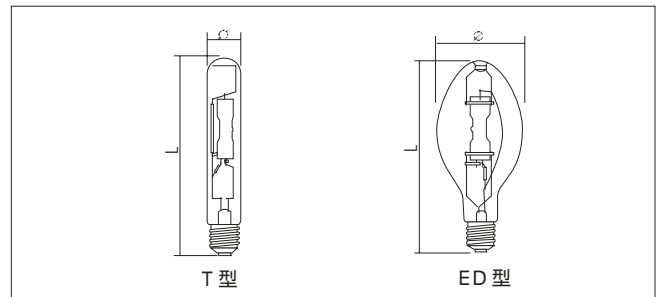
□

Note: standard color, G: green, R: red, P: purple, B: blue

技术参数
data sheet

型号 Model	产品代码 Code	功率 Power (W)	灯电流 Lamp current (A)	光通量 Luminous flux (Lm)	直径 Max. Diameter ∅(mm)	全长 Length L(mm)	灯头 Base	平均寿命 Average Life (h)	玻壳 Bulb
HQ/JLC175 ■ - T1	2610410005	175	1.50	14000	37.5	170	E27	3800	T
HQ/JLC250 ■ - T	2610412003	250	2.10	20500	46	210	E40	4000	T
HQ/JLC400 ■ - TO	2610417003	400	3.25	36000	65	280	E40	5000	T
HQ/JLC70 ■ - ED1	2610904011	70	0.98	5600	55	145	E27	3800	ED
HQ/JLC150 ■ - ED	2610909019	150	1.80	14000	55	145	E27	3800	ED
HQ/JLC175 ■ - ED2	2610410004	175	1.50	14000	90	210	E40	4000	ED
HQ/JLC250 ■ - ED	2610412004	250	2.10	20500	90	210	E40	4000	ED
HQ/JLC400 ■ - ED	2610417002	400	3.25	36000	120	280	E40	5000	ED

产品尺寸图
size





特点:

- 寿命长，光色柔和，防紫外线辐射。
- 能产生舒适的照明环境。

适用场合:

- 适用于体育场（馆）、展览中心、大型百货商场、游乐场所、广场、建筑泛光照明。

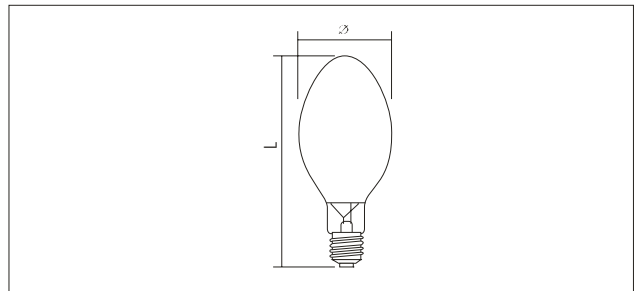
Characteristics:

- Long life, the light is soft, can guide against ultraviolet radiation.
- Can bring about comfortable lighting atmosphere.

Applications:

- Sports gym, exhibition center, large merchandise, park, building flooding illumination.

产品尺寸图
size



**技术参数
data sheet**

型号 Model	产品代码 Code	功率 Power (W)	灯电流 Lamp current (A)	光通量 Luminous flux (Lm)	色温 Color temperature (K)	直径 Max. Diameter φ(mm)	全长 Length L(mm)	灯头 Base	平均寿命 Average Life (h)	玻壳 Bulb
HQ/JLZ175 - ED/P	2610410009	175	1.50	14000	4000	90	210	E40	10000	ED
HQ/JLZ250 - ED/P	2610412010	250	2.10	20500	4000	90	210	E40	10000	ED
HQ/JLZ400 - ED/P	2610417001	400	3.25	36000	4000	120	280	E40	10000	ED



特点:

- 发光效率高，寿命长。
- 节能环保，性能稳定。

适用场合:

- 道路照明、机场、码头及工业照明等。

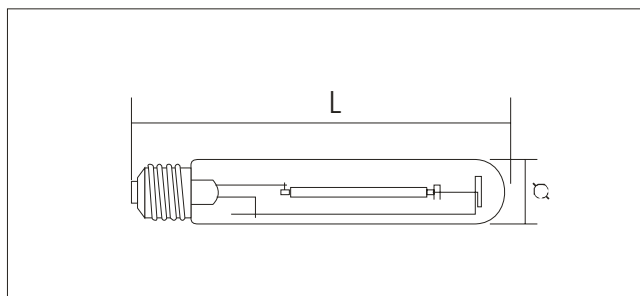
Characteristics:

- High luminous efficacy, long life.
- Environmental friendly, and stable performance .

Applications:

- Road, airport, dock, industry, illumination.

产品尺寸图
size



技术参数
data sheet

型号 Model	产品代码 Code	功率 Power (W)	灯电流 Lamp current (A)	光通量 Luminous flux (Lm)	色温 Color temperature (K)	直径 Max. Diameter ∅(mm)	全长 Length L(mm)	灯头 Base	平均寿命 Average Life (h)	玻壳 Bulb
HQ/NG50-T	2610203001	50	0.76	3400	2000	37.5	155	E27	18000	T
HQ/NG70-T	2610204001	70	0.98	5400	2000	37.5	155	E27	18000	T
HQ/NG100-T	2610206001	100	1.20	8300	2000	37.5	170	E27	18000	T
HQ/NG110-T	2610207001	110	1.20	9000	2000	37.5	170	E27	18000	T
HQ/NG150-T1	2610209001	150	1.80	14000	2000	37.5	170	E27	18000	T
HQ/NG150-T2	2610209002	150	1.80	14000	2000	46	215	E40	18000	T
HQ/NG250-T	2610212001	250	3.00	25000	2000	46	255	E40	24000	T
HQ/NG400-T	2610217001	400	4.60	44000	2000	46	280	E40	24000	T
HQ/NG600-T	2610219001	600	6.20	65000	2000	46	280	E40	18000	T
HQ/NG1000-T	2610222001	1000	10.30	120000	2000	66	385	E40	18000	T



特点:

- 使用寿命长，经济耐用。
- 光效率高，透雾能力强。

适用场合:

- 室内外大型物体的照明，街道和公园、建筑物、铁路轨道、工厂、仓库、机场等。

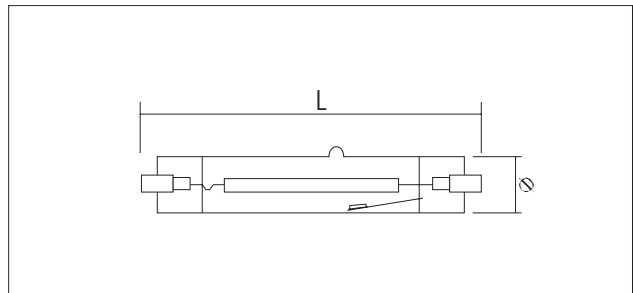
Characteristics:

- Long life, economic and durable.
- High luminous efficacy, provide high contrast visibility in mist and fog

Applications:

- Indoor and outdoor large object illumination, building, street, park, railway, factory, warehouse, and airport etc.

产品尺寸图
size



技术参数
data sheet

型号 Model	产品代码 Code	功率 Power (W)	灯电流 Lamp current (A)	光通量 Luminous flux (Lm)	色温 Color temperature (K)	直径 Max. Diameter (mm)	全长 Length L(mm)	灯头 Base	平均寿命 Average Life (h)	玻壳 Bulb
HQ/NG70 - TD	2610204003	70	0.98	5400	2000	19	116	Rx7s	18000	TD
HQ/NG150 - TD	2610209003	150	1.80	14000	2000	22.5	135	Rx7s	18000	TD



特点:

- 白色灯光，色温4100K。
- 结构牢固，寿命长。
- 低值投资，经济实惠。

适用场合:

- 道路照明，室内外工业照明。

Characteristics:

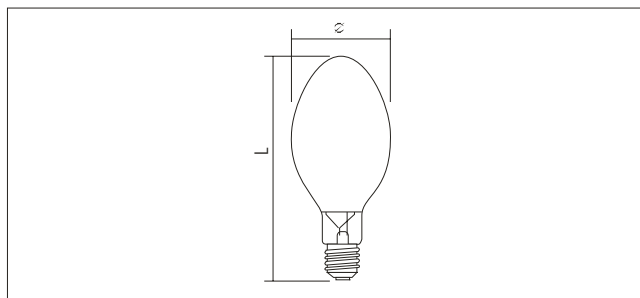
- white light, color temperature: 4100K.
- Long service life and durable.
- Economic.

Applications:

- street illumination, indoor and outdoor industrial lighting



产品尺寸图
size



技术参数
data sheet

型号 Model	产品代码 Code	功率 Power (W)	光通量 Luminous flux (Lm)	直径 Max. Diameter φ (mm)	全长 Length L (mm)	灯头 Base	平均寿命 Average Life (h)	玻壳 Bulb
HQ/GGY50 - ED	2610103001	50	1500	76	150	E27	4000	ED
HQ/GGY80 - ED	2610105002	80	3000	76	160	E27	5500	ED
HQ/GGY125 - ED	2610108001	125	5000	76	160	E27	5800	ED
HQ/GGY175 - ED	2610110002	175	7500	90	210	E40	6000	ED
HQ/GGY250 - ED	2610112001	250	11000	90	210	E40	8000	ED
HQ/GGY400 - ED	2610117001	400	21000	120	280	E40	8000	ED
HQ/GGY1000 - BT	2610122001	1000	52000	180	280	E40	8000	BT

自镇流荧光高压汞灯
Self-ballasted high pressure fluorescent mercury bulb



特点:

- 柔和的白色灯光。
- 结构简单，不需要附加镇流器。
- 低成本，维修费用低。
- 可直接替代白炽灯。

适用场合:

- 道路照明，室内外工业照明。

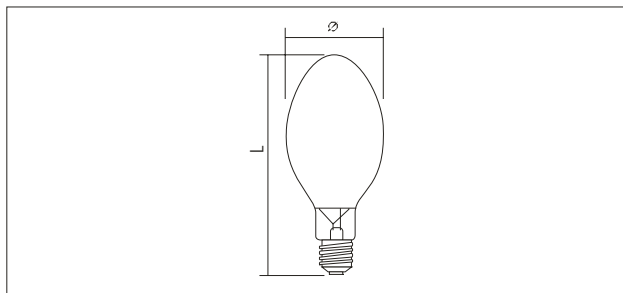
Characteristics:

- soft white light.
- without ballast.
- Economic and easy maintenance.
- in place of incandescent bulb.

Applications:

- street illumination, indoor and outdoor industrial lighting

产品尺寸图
size



技术参数
data sheet

型号 Model	产品代码 Code	功率 Power (W)	光通量 Luminous flux (Lm)	直径 Max. Dia meter (mm)	全长 Length L(mm)	灯头 Base	平均寿命 Average Life (h)	玻壳 Bulb
HQ/GYZ125-ED	2610108002	125	1500	76	160	E27	3000	ED
HQ/GYZ160-ED	2610131001	160	2560	76	160	E27	3000	ED
HQ/GYZ250-ED	2610112002	250	4900	90	210	E40	3500	ED
HQ/GYZ450-ED	2610132001	450	11000	120	280	E40	3500	ED





HID 电器系列
HID electric appliances series

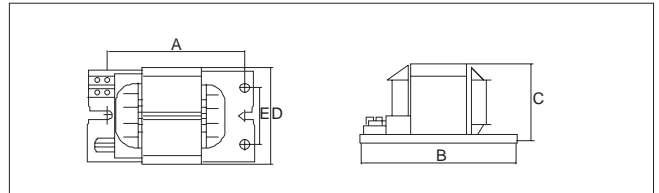
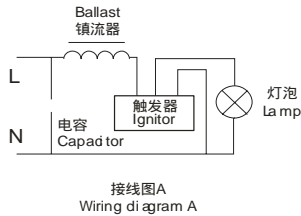


适配光源：35W~1000W钠灯

Applications: for use of 35W~1000W sodium lamps



产品尺寸图
size



型号 Model	产品代码 Code	技术参数 Specifications	产品尺寸 Size(mm)					数量/箱(个) Quantity / carton (pcs)	重量/箱(公斤) Weight / carton (kg)	包装尺寸 Packaging meas (mm)
			a	b	c	d	e			
HQ200NG35L	2120202001	220V 50Hz	98	117	52	60	36	8	7.60	260X150X170
HQ200NG50L	2120203001	220V 50Hz	98	117	52	60	36	8	8.50	260X150X170
HQ200NG70L	2120204002	220V 50Hz	98	117	52	60	36	8	10.00	260X150X170
HQ200NG100L	2120206001	220V 50Hz	98	117	52	60	36	8	10.30	260X150X170
HQ200NG150L	2120209002	220V 50Hz	104	126	64	75	45	6	11.50	260X150X170
HQ200NG250L	2120212001	220V 50Hz	128	150	64	75	45	6	17.50	260X175X160
HQ200NG400L	2120217001	220V 50Hz	143	165	83	96	61	4	19.60	210X190X205
HQ200NG600L	2120219001	220V 50Hz	143	165	83	96	61	4	21.50	210X190X205
HQ200NG1000L	2120222001	220V 50Hz	178	200	97	114	81	2	17.90	260X220X115

技术参数 Data Sheet

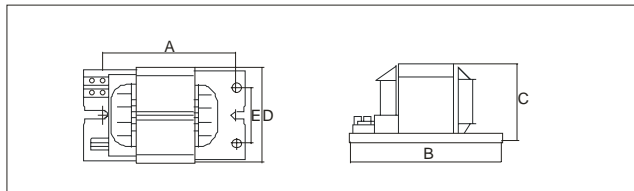
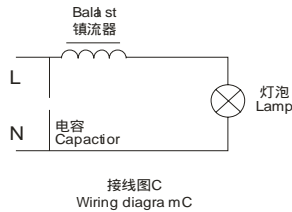
AC: 220V 50Hz

灯泡参数 bulb parameters			镇流器 型号 ballast model	电气参数 Electrical data										最大使用环境 Max. operating temp.	接线图方式 wiring diagram
灯 功率 (W) lamp wattage	灯 电 流 (A) lamp current	灯 管 压 (V) lamp voltage		启动 电 流 (A) start current	工作 电 流 (A) working current	功 率 因 数 cos power factor	cos 0.9			总 功 率 (W) power	损 耗 (W) loss	配 触 发 器 adapted for ignitor	t 温 升 (K) Temp. Rise		
							启动 电 流 (A) start current	线 路 电 流 (A) circuit current	并 联 电 容 (uF) capacitor						
35	0.53	85	HQ200NG35L	0.77	0.53	0.37	0.250	0.217	6	8	43	HQCD-7	70	85	A
50	0.76	85	HQ200NG50L	1.10	0.76	0.35	0.343	0.298	8	9	59	HQCD-7	70	85	A
70	0.98	90	HQ200NG70L	1.42	0.98	0.38	0.482	0.419	12	13	83	HQCD-7	70	85	A
100	1.20	100	HQ200NG100L	1.74	1.20	0.43	0.662	0.576	12	14	114	HQCD-7	70	85	A
150	1.80	100	HQ200NG150L	2.52	1.80	0.43	0.987	0.859	18	20	170	HQCD-7	70	85	A
250	3.00	100	HQ200NG250L	4.20	3.00	0.42	1.597	1.389	32	25	275	HQCD-7	70	85	A
400	4.60	100	HQ200NG400L	6.44	4.60	0.43	2.521	2.192	50	34	434	HQCD-7	70	85	A
600	6.20	110	HQ200NG600L	8.68	6.20	0.47	3.746	3.258	60	45	645	HQIG-N	80	75	A
1000	10.30	115	HQ200NG1000L	12.88	10.30	0.47	6.215	5.404	100	70	1070	HQIG-N	80	75	A

适配光源：50W~1000W高压汞灯
Applications: For uses of 50W~1000W high pressure mercury lamps



产品尺寸图
size



型号 Model	产品代码 Code	技术参数 Specifications	产品尺寸 Size(mm)					数量/箱(个) Quantity / carton (pcs)	重量/箱(公斤) Weight / carton (kg)	包装尺寸 Packaging meas (mm)
			a	b	c	d	e			
HQ200GGY50L	2120103001	220V 50Hz	98	117	52	60	36	8	8.50	260X150X170
HQ200GGY80L	2120105001	220V 50Hz	98	117	52	60	36	8	9.00	260X150X170
HQ200GGY125L	2120108001	220V 50Hz	98	117	52	60	36	8	10.80	260X150X170
HQ200GGY175L	2120110002	220V 50Hz	104	126	64	75	45	6	11.50	260X150X170
HQ200GGY250L	2120112005	220V 50Hz	104	126	64	75	45	6	13.60	260X150X170
HQ200GGY400L	2120117003	220V 50Hz	128	150	64	75	45	6	19.30	260X175X170
HQ200GGY1000L	2120122002	220V 50Hz	193	215	83	96	61	2	14.70	240X220X104

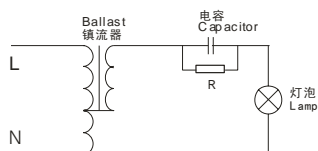
AC: 220V 50Hz

灯泡参数 bulb parameters			镇流器 型号 ballast model	电气参数 Electrical data											
灯 功率 (W) lamp wattage	灯 电 流 (A) lamp current	灯 管 压 (V) lamp voltage		启 动 电 流 (A) start current	工 作 电 流 (A) working current	功 率 因 数 cos power factor	cos 0.9			损 耗 (W) loss	总 功 率 (W) power	配 触 发 器 adapted for ignitor	t 温 升 (K) Temp. Rise	最 大 使 用 环 境 Max. operating temp.	接 线 图 方 式 wiring diagram
							启 动 电 流 (A) start current	线 路 电 流 (A) circuit current	并 联 电 容 (uF) capacitor						
50	0.61	95	HQ200GGY50L	0.98	0.61	0.44	0.343	0.298	6	9	59	No	70	85	C
80	0.85	115	HQ200GGY80L	1.36	0.85	0.49	0.529	0.460	8	11	91	No	70	85	C
125	1.15	125	HQ200GGY125L	1.84	1.15	0.55	0.807	0.702	10	14	139	No	70	85	C
175	1.50	132	HQ200GGY175L	2.40	1.50	0.58	1.104	0.960	12	15	190	No	70	85	C
250	2.13	132	HQ200GGY250L	3.41	2.13	0.58	1.568	1.364	18	20	270	No	70	85	C
400	3.25	135	HQ200GGY400L	5.20	3.25	0.59	2.463	2.141	25	24	424	No	70	85	C
1000	7.50	145	HQ200GGY1000L	12.00	7.50	0.64	6.098	5.303	60	50	1050	No	80	75	C

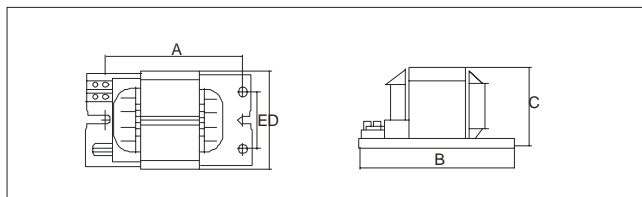
适配光源：175W、250W、400W、1000W、1500W美标金卤灯
Applications: 175W、250W、400W、1000W、1500W American standard metal halide lamp



产品尺寸图
size



接线图D
Wiring diagram D



Huaquan 牌漏磁式镇流器是我公司新开发的产品，产品已申请了实用型国家专利，专利号：012426016、外观设计国家专利，专利号：013313460。产品具有体积小、结构紧凑等特点。产品均采用H级(180)以上材料制造，具有很高耐高温性能，适合灯具内安装使用。

The magnetic leakage ballast, with the brand of HQ, is an update model developed recently. The model is granted utility model patent (Patent No:012426016) and design patent (Patent No:013313460) by China National Intellectual Property Bureau. The model features small size and compact structure. All materials and components used in the model are of Class H(180), having an excellent performance of heat resistance, this model is mostly suitable for the applications used in lighting fixture.

型号 Model	产品代码 Code	技术参数 Specifications	产品尺寸 Size(mm)					数量/箱(个) Quantity / carton (pcs)	重量/箱(公斤) Weight/ carton (kg)	包装尺寸 Packaging meas (mm)
			a	b	c	d	e			
HQ200JLZ175L	2140410002	220V 50Hz	108	130	83	96	61	4	13.60	260X185X115
HQ200JLZ250L	2140412004	220V 50Hz	123	145	97	114	81	2	10.20	260X185X115
HQ200JLZ400L	2140417008	220V 50Hz	146	168	97	114	81	2	14.20	260X185X115
HQ200JLZ1000L	2140422003	220V 50Hz	178	200	112	127	94	2	22.90	285X220X135
HQ200JLZ1500L	2140424004	220V 50Hz	213	235	112	127	94	1	14.30	255X150X135

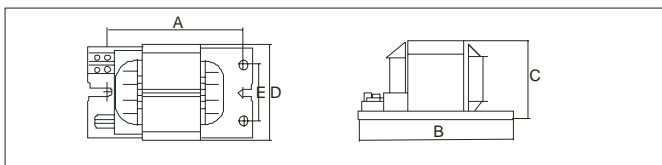
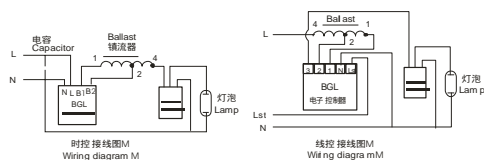
AC: 220V 50Hz

灯泡参数 Bulb parameters			镇流器型号 ballast model	电气参数 Electrical data									
灯功率 (W) lamp wattage	灯电流 (A) lamp current	灯管电压 (V) lamp voltage		灯工作电流 (A) lamp working current	线路功率因数 cos circuit power factor	线路启动电流 (A) circuit start current	线路工作电流 (A) circuit working current	串联电容 (uF) Series connection capacitor	功耗 (W) Power loss	总功率 (W) power	t 温升 (K) Temp. Rise	最大使用环境 Max. operating temp.	接线图方式 wiring diagram
175	1.50	132	HQ200JLZ175L	1.50	0.9	1.05	1.05	13	35	205	75	80	D
250	2.15	133	HQ200JLZ250L	2.15	0.9	1.46	1.46	15	40	290	80	75	D
400	3.25	135	HQ200JLZ400L	3.25	0.9	2.28	2.28	28	55	450	80	75	D
1000	4.20	255	HQ200JLZ1000L	4.20	0.9	5.20	5.20	30	75	1080	80	75	D
1500	6.25	260	HQ200JLZ1500L	6.20	0.9	6.80	7.10	41	120	1600	80	75	D

适配光源：100W~400W 高压钠灯
Applications: 100W~400W high - pressure sodium lamp



产品尺寸图
size



- 采用降低灯电流的方法，保持电源电压不变，实现节能、延长灯寿命。
- 整个线路构造简单，性能稳定，耐用。
- 省电节能达40%。延长光源使用寿命，使光源的有效使用寿命提高2~3倍。
- 完全达到国家GB19510.1 - 2004和GB19510.10 - 2004 灯具使用的安全标准要求。
- 在镇流器超出各种异常温度时，镇流器起自动开路保护，等降低到安全温度时自动恢复工作，大大避免因镇流器过热的火灾事故。
- 完全解决光源寿终时产生整流效应（灯在寿终时产生较大的直流成份）：造成灯泡爆裂或电器因大电流造成严重烧毁所发生严重的事故。延长电器的使用寿命。
- 能效高，完全达到国家GB19574 - 2004标准及IEC的能效要求。

- An innovative way of dimming by lowering lamp current while keeping voltage unchanged, it is energy - saving and makes lamps more longer service life.
- It features compact design, excellent performance and durable.
- The energy saving is up to 40%, that extends greatly the service life to 2~3 times compared with that of lamp operated by conventional ballast.
- It completely meets China National Standard GB19510.1 - 2004 and GB 19510.10 - 2004 safety requirements for luminaries.
- An over - heat protector built in ballast, as a very high temperature occurs in ballast, can automatically act to prevent possible burning accident. It can restore to normal working status as the ballast cools down to safety temperature range.
- It is HQ's perfect solution of dimming ballast for the rectifier effect and extends greatly the service life of electrical parts in whole gear box.
- The rectifier effect, which occurs when a discharge lamp reaches the end of its service life, can cause the lamp exploding and ballast burning down because of an increase in pretty big portion of DC.
- It performs a high efficiency that completely meets with China National Standard GB19574 - 2004 and EEL requirements of IEC.

型号 Model	产品代码 Code	技术参数 Specifications	产品尺寸 Size(mm)					数量/箱(个) Quantity / carton (pcs)	重量/箱(公斤) Weight / carton (kg)	包装尺寸 Packaging meas (mm)
			a	b	c	d	e			
HQ220050HNG100Z/2	2120236001	220V 50Hz	104	126	64	75	45	6	11	25X150X170
HQ220050HNG150Z/2	2120234001	220V 50Hz	104	126	64	75	45	6	12	25X150X170
HQ220050HNG250Z/2	2120233001	220V 50Hz	108	130	83	96	61	4	18	260X175X170
HQ220050HNG400Z/2	2120232001	220V 50Hz	143	165	83	96	61	4	20	210X190X205

技术参数 Data Sheet:

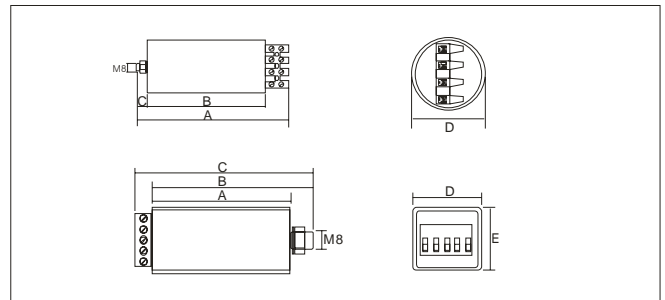
AC: 220V 50Hz

灯泡参数 bulb parameters			镇流器 型号 ballast model	电气参数 Electrical data												
灯 功率 (W) lamp wattage	灯 电 流 (A) lamp current	灯 管 压 (V) lamp voltage		功率1 power 1				功率2 power 2				并 联 电 容 (uF) capacitor	配 触 发 器 adapted for ignitor	温 升 (K) Temp. Rise	最 大 使 用 环 境 Max. operating temp.	接 线 图 方 式 wiring diagram
				灯 泡 功 率 (W) lamp power	灯 泡 电 流 (A) lamp current	损 耗 (W) loss	总 功 率 (W) power	灯 泡 功 率 (W) lamp power	灯 泡 电 流 (A) lamp current	损 耗 (W) loss	总 功 率 (W) power					
100	1.20	100	HQ220050HNG100Z/2	100	1.20	14	114	70	1.00	12	82	12	HQCD - 7	70	85	M
150	1.80	100	HQ220050HNG150Z/2	150	1.80	20	170	100	1.40	18	118	18	HQCD - 7	70	85	M
250	3.00	100	HQ220050HNG250Z/2	250	3.00	25	275	150	2.20	23	173	32	HQCD - 7	70	85	M
400	4.60	100	HQ220050HNG400Z/2	400	4.60	33	433	250	3.70	30	280	50	HQCD - 7	70	85	M

变功率控制器：
Dimming Controller

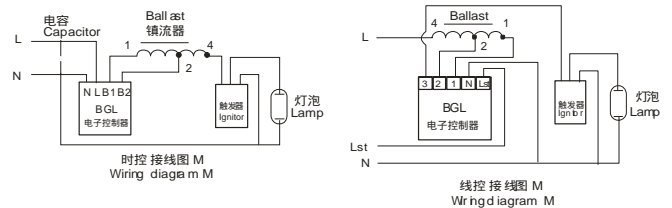


产品尺寸图
size



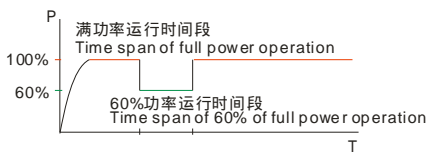
变功率电子控制器是一种与镇流器配合使用，能够按照预置的时间自动变换不同灯功率的电子装置。在照明使用时，它可以按照不同的照度和使用要求，自动转换灯功率，可以节省大量的电能。它是一种全新的节能型照明产品，具有极大的推广意义。

Electronic dimming controller, working along with ballast, can provide wattage options for lamp dimming in preset different time span choices. By using the electronic dimming controller, we can shift the lamp wattage in accordance with different field requires of luminance and usage, and save lot of power energy. As an innovative energy - saving lighting product, it is a significant strategy to promote electronic dimming device in lighting industry.



C: 通电后满功率— 60%功率，延续至断电。

Power Dimming Cycling Mode C:
Full power once voltage supplied - 60% of full power - keeping 60% of full power operation to voltage ending



AC: 220 ~ 240V 50/60Hz

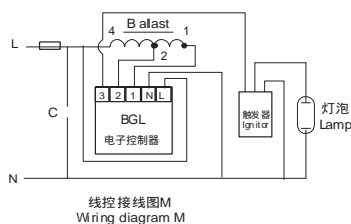
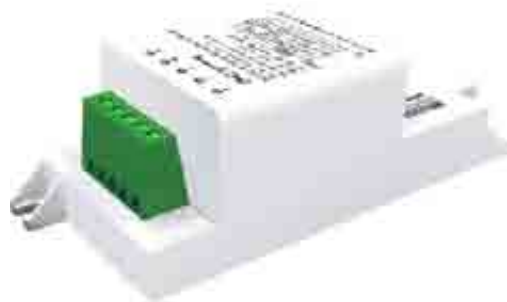
型号 Model	产品代码 Code	技术参数 Specifications	最大负载电流 Max load current	壳体温度 Case temp ()	产品尺寸 Size(mm)	数量/箱(个) Quantity / carton	重量/箱(公斤) Weight / carton
					a b c d e	(pcs)	(kg)
HQBGL10 - 5h	2710102001	220 ~ 240V 50~60Hz	10A	85	132 102 10 50 50	50	22
HQBGL10 - L	2720101001	230V 50Hz	10A	80	64 74 82 31 28	100	10

技术说明:该变功率电子控制器使用电压为220V~240V/50~60Hz。预置转换时间可按用户要求设定,转换最大电流为10A。

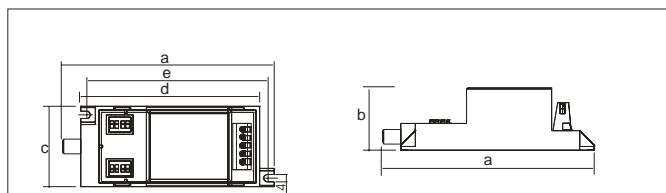
Note:

The supply voltage & frequency for the electronic dimming controller are 220V~240V/50~60Hz.

The dimming time can be preset according to customers' requires. The max load current is 10A.

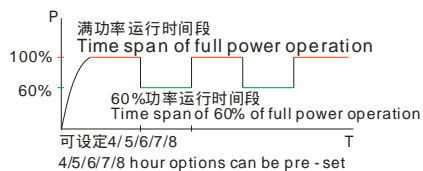


产品尺寸图
size



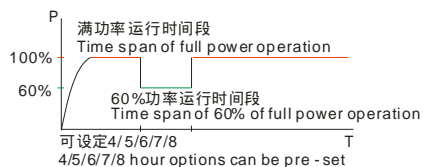
A: 通电后满功率 — 60%功率 — 满功率 — 60%功率……循环至断电。

Power Dimming Cycling Mode A:
Full power once voltage supplied - 60% of full power - full power - 60% of full power - continuously cycling till voltage ending



B: 通电后满功率 — 60%功率 — 满功率，延续至断电。

Power Dimming Cycling Mode B:
Full power once voltage supplied - 60% of full power - keeping full power operation to voltage ending



- 可根据不同地域、气候季节和不同路面的实际情况来调整控制器的时间设置选择（4/5/6/7/8小时五种选择）。
- 定时模式采用“模糊”电路设计，特地增加定时的不精确度，避免整条道路的定时装置在某一时刻同时调光导致整条道路照度突降带来的交通危险性，（不精确度为±6分钟/6小时，二次上电时重新计时）。
- 调光后，光源能耗降低40%左右，镇流器功耗降低25%左右。
- 定时设定简单方便，可在安装过程中随时设定。
- 定时器控制距离远，可安装灯杆底部，方便临时调整。
- Multiple options (5 time span choices of 4/5/6/7/8 hours can be set) for different regions, seasons and road circumstances.
- Fuzzy circuit design for the timing. The design can avoid possible traffic problems caused by dimming all road lights at the same moment. (Fuzzy range: ±6 mins/6 hours; Timer will re-timestart counting from next applying supply).
- By using dimming design, the total lamp energy consumption can be reduced by 40%, and ballast power consumption down by 25%.
- Easily to set time choices, and setting can be done in field installation. It can control lamp over a pretty long distance, and is built in the base of
- the lighting pole, that makes setting change and maintenance very convenient.

AC: 220 ~ 240V 50/60Hz

型号 Model	产品代码 Code	技术参数 Specifications	最大负载电流 Max load current	壳体温度 Case temp ()	产品尺寸 Size(mm) a b c d e	数量/箱(个) Quantity / carton (pcs)	重量/箱(公斤) Weight / carton (kg)
HQBGL10-T	2710103001	220V~240V/50~60Hz	10A	85	115 33 44 95 98	-	-

技术说明；该变功率电子控制器使用电压为220V~240V/50~60Hz。预置转换时间可按用户要求设定转换。最大电流为10A。

Notes:

The supply voltage & frequency for the electronic dimming controller are 220V~240V/50~60Hz.

The dimming time span can be set in advance according to customers' demands.

The max load current is 10A.



电子镇流器
Electronic Ballast

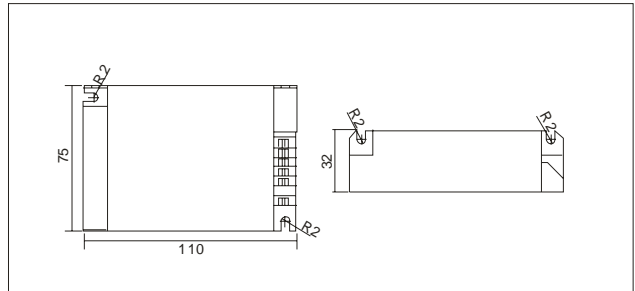


HID电子镇流器 (迷你型)
HID Electronic Ballast (Mini Type)



- 使用范围广，电源电压适用于220V~240V Ac，可在50~60Hz使用，极强的抗电压波动。低频载高频输出,解决电磁干扰,符合EMC要求。
- 无频闪,大大提高光质量，提高10% 以上的光效率，可适用于摄影等特殊要求使用。
- 节能可达30% 以上，大大延长光源寿命。
- 安全，有短路、开路、过压、欠压、过流等保护设计。
- 耐高温 $t_c=80$ ，可适应恶劣环境使用。
- 体积小，重量轻，噪声低，温升低，适应各种应用环境。安装简单、方便。
- 产品通过CQC，CB 认证。

产品尺寸图
size



HID Electronic Ballast features:

- Wide range of applications;
- Supply voltage: 220V~240V ac, frequencies: 50/60Hz;
- Anti - voltage - fluctuation;
- A perfect solution to electromagnetic interferences by way of the high frequency output carrying on low frequency load,
- Meet EMC requirements ;
- No strobe lights;
- Improve light quality greatly, and enhance light efficiency by over 10%;
- Good for special applications like photography;
- Save a lot of energy over 30%, and extend the lamp service life greatly;
- Many safety designs of short circuit, open circuit, over - voltage, lack - voltage and overflow protections;
- Good heat resistance performance under tough operating conditions with $T_c=80$;
- Small size, light weight, low noise, low temperature rise, suitable for a variety of applications;
- Easy to install and convenient to maintain;
- CQC and CB - certified.

技术参数
data sheet

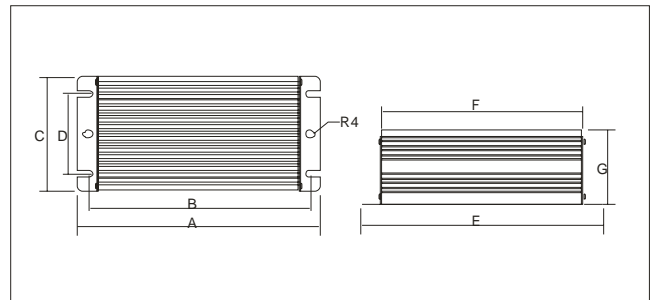
AC: 220~240V 50/60Hz $T_c:80$

Ballast									Lamp
型号 Model	产品代码 Code	输入电流 $I_n(A)$	灯电流波峰比 LCCF	电流总谐波 THDI%	$T_a()$	数量/箱(个) Quantity/carton (pcs)	重量/箱(公斤) Weight/carton (kg)	包装尺寸 Dimensions (mm)	配灯 Lamp
HQEB - 70/A	2170904106	>0.95	0.34~0.36	1.3	12	-20~+50	40	11.8	380x280x220 70W MH/HPS
HQEB - MH35/A	2170902105	>0.95	0.19~0.22	1.3	12	-20~+50	40	11.8	380x280x220 35W MH
HQEB - MH20/A	2170901103	>0.95	0.10~0.12	1.3	12	-20~+50	40	11.8	380x280x220 20W MH



- 使用范围广，电源电压适用于220V~240V Ac，可在50~60Hz使用，极强的抗电压波动。低频载高频输出,解决电磁干扰,符合EMC要求。
- 无频闪,大大提高光质量，提高10% 以上的光效率，可适用于摄影等特殊要求使用。
- 节能可达30% 以上，大大延长光源寿命。
- 安全，有短路、开路、过压、欠压、过流等保护设计。
- 耐高温 $t_c=80$ ，可适应恶劣环境使用。
- 体积小，重量轻，噪声低，温升低，适应各种应用环境。安装简单、方便。

产品尺寸图
size



HID Electronic Ballast features:

- Wide range of applications;
- Supply voltage: 220V~240V ac, frequencies: 50/60Hz;
- Anti - voltage - fluctuation;
- A perfect solution to electromagnetic interferences by way of the high frequency output carrying on low frequency load,
- Meet EMC requirements ;
- No strobe lights;
- Improve light quality greatly, and enhance light efficiency by over 10%;
- Good for special applications like photography;
- Save a lot of energy over 30%, and extend the lamp service life greatly ;
- Many safety designs of short circuit, open circuit, over - voltage, lack - voltage and overflow protections;
- Good heat resistance performance under tough operating conditions with $T_c=80$;
- Small size, light weight, low noise, low temperature rise, suitable for a variety of applications;
- Easy to install and convenient to maintain;

技术参数
data sheet

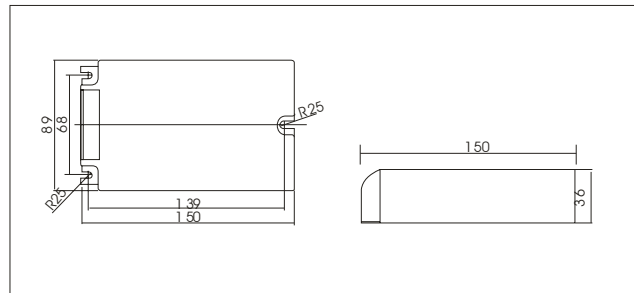
AC: 220~240V 50/60Hz $T_c:70$

Ballast							Lamp							
型号 Model	产品代码 Code	输入电流 In(A)	灯电流波峰比 LCCF	电流总谐波 THDI%	Ta()	产品尺寸 Size (mm)							配灯 Lamp	
						A	B	C	D	E	F	G		
HQEB -MH250	—	>0.95	1.22	1.5	10	-20~+50	227	205	102	68	227	187	70.5	250W MH
HQEB -HPS250	—	>0.95	1.22	1.5	10	-20~+50	227	205	102	68	227	187	70.5	250W HPS
HQEB -MH400	—	>0.95	1.95	1.5	10	-20~+50	260	238	102	68	260	220	70.5	400W MH
HQEB -HPS400	—	>0.95	1.95	1.5	10	-20~+50	260	238	102	68	260	220	70.5	400W HPS



- 使用范围广，电源电压适用于220V~240V Ac，可在50~60Hz使用，极强的抗电压波动。低频载高频输出,解决电磁干扰,符合EMC要求。
- 无频闪,大大提高光质量，提高10% 以上的光效率，可适用于摄影等特殊要求使用。
- 节能可达30% 以上，大大延长光源寿命。
- 安全，有短路、开路、过压、欠压、过流等保护设计。
- 耐高温 $t_c=80$ ，可适应恶劣环境使用。
- 体积小，重量轻，噪声低，温升低，适应各种应用环境。安装简单、方便。
- 产品通过CQC，CB 认证。

产品尺寸图
size



HID Electronic Ballast features:

- Wide range of applications;
- Supply voltage: 220V~240V ac, frequencies: 50/60Hz;
- Anti - voltage - fluctuation;
- A perfect solution to electromagnetic interferences by way of the high frequency output carrying on low frequency load,
- Meet EMC requirements ;
- No strobe lights;
- Improve light quality greatly, and enhance light efficiency by over 10%;
- Good for special applications like photography;
- Save a lot of energy over 30%, and extend the lamp service life greatly ;
- Many safety designs of short circuit, open circuit, over - voltage, lack - voltage and overflow protections;
- Good heat resistance performance under tough operating conditions with $T_c=80$;
- Small size, light weight, low noise, low temperature rise, suitable for a variety of applications;
- Easy to install and convenient to maintain;
- CQC and CB - certified.

技术参数
data sheet

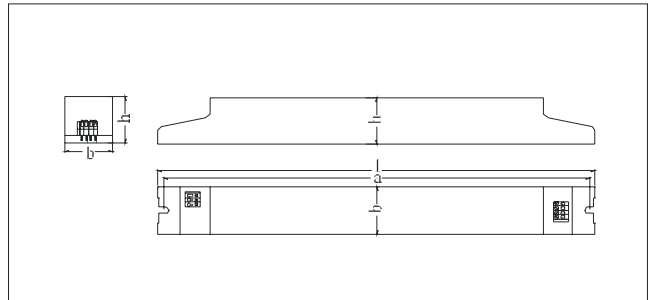
AC: 220~240V 50/60Hz $T_c=80$

Ballast										Lamp
型号 Model	产品代码 Code	输入电流 In(A)	灯电流波峰比 LCCF	电流总谐波 THDI%	Ta()	数量/箱(个) Quantity/carton (pcs)	重量/箱(公斤) Weight/carton (kg)	包装尺寸 Packaging meas (mm)	配灯 Lamp	
HQEB - MH175	2170910001	>0.95	0.83	1.3	9	-20~+50	24	11.4	340x215x275	175W MH
HQEB - 150	2170909001	>0.95	0.71	1.3	9	-20~+50	24	11.4	340x215x275	150W MH/HPS
HQEB - 100	2170906001	>0.95	0.48	1.3	10	-20~+50	24	11.4	340x215x275	100W MH/HPS



- 使用范围广，电源电压适用于200V~240V Ac，在50~60Hz频率使用。
- 平均寿命20000小时。
- 耐高温 $t_c=65$ 。
- 采用金属外壳,表面喷粉,防火,防潮,防磁,防爆。
- 体积小，重量轻，噪声低，温升低，适应各种应用环境。安装简单、方便。

产品尺寸图
size




Electronic Ballast for FL features:

- Wide range of applications;
- Supply voltage: 200V~240V AC, Frequency: 50/60Hz;
- average life is 20000 hours;
- Good heat resistance performance with $T_c=65$;
- Adopting metal housing, power spraying on surface, fire proof, humidity proof, magnetic proof, explosion proof;
- Small size, light weight, low noise, low temperature rise, suitable for a variety of applications;
- Easy to install and convenient to maintain;

技术参数
data sheet

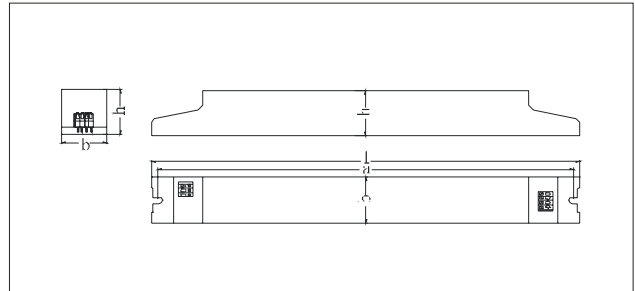
AC: 200~240V 50/60Hz

Ballast											Lamp	
型号 Model	产品代码 Code	In(mA)	Un(V)	Fn(Hz)	Ta()	Tc()	l [mm]	b [mm]	h [mm]		配灯 Lamp	
HQEB230YZ35-1T5J	2171102003	0.97	165	230	50/60	-10~+50	65	290	30	19	280	35W
HQEB230YZ28-1T5J	2171146003	0.97	131	230	50/60	-10~+50	65	290	30	19	280	28W
HQEB230YZ21-1T5J	2171144004	0.97	102	230	50/60	-10~+50	65	290	30	19	280	21W
HQEB230YZ14-1T5J	2171142003	0.97	68	230	50/60	-10~+50	65	290	30	19	280	14W



- 使用范围广，电源电压适用于180V~260V Ac，在50~60Hz频率使用，极强的抗电压波动。
- 低频载高频输出，解决电磁干扰，符合EMC要求。无频闪，大大提高光质量，提高光效率，节省电能。
- 自身功耗小；使灯管的寿命延长50%以上，工作稳定可靠，平均寿命30000小时。
- 当灯管寿终或异常状态保护功能。
- 耐高温 $t_c=65$ ，选用镇流器专用灌封胶，具有散热，防潮，防火，防爆等功能。
- 体积小，重量轻，噪声低，温升低，适应各种环境。安装简单、方便。
- 产品通过 CCC 认证。

产品尺寸图
size



Electronic Ballast for FL features:

- Wide range of applications;
- Supply voltage: 180V~260V AC, Frequency: 50/60Hz. Good resistance of voltage- fluctuation;
- A perfect solution to electromagnetic interferences by way of high frequency output carrying on low frequency load;
- Meet EMC requirements. No strobe lights. Improve light quality greatly, and enhance light efficiency. Energy saving;
- Low power loss. Extend lamp service life by 50%; Steady and reliable operation. Average life 30000 hours;
- Designs for end of lamp life protection and abnormal condition protection;
- Good heat resistance performance with $T_c=65$. Adopting a special potting material for ballast, which could enhance heat dissipation, humidity proof, fire proof, explosion proof.
- Small size, light weight, low noise, low temperature rise, and suitable for a variety of applications;
- Easy to install and convenient to maintain;
- CCC - certified.

技术参数 data sheet

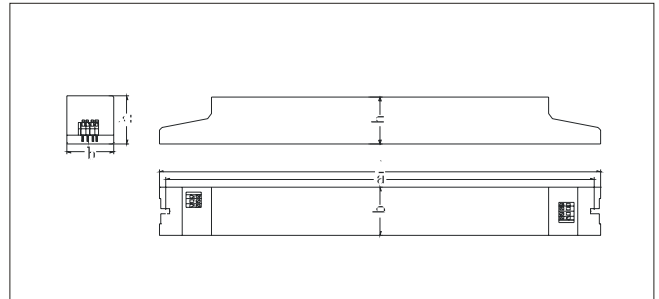
AC: 180~260V 50/60Hz

Ballast										Lamp			
型号 Model	产品代码 Code	In(mA)	Un(V)	Fn(Hz)	Ta()	Tc()	$\frac{l}{(mm)}$	$\frac{b}{(mm)}$	$\frac{h}{(mm)}$	$\frac{L}{(mm)}$	配灯 Lamp		
HQEB230YZ18-1T8B	2171143001	0.98	84	230	50/60	-10~+50	65	290	30	30	280	18W	
HQEB230YZ36-1T8B	2171148001	0.98	165	230	50/60	-10~+50	65	360	30	30	350	36W	
HQEB230YZ58-1T8B	2171150001	0.98	260	230	50/60	-10~+50	65	360	30	30	350	58W	
HQEB230YZ18-2T8B	2171143002	0.98	168	230	50/60	-10~+50	65	360	30	30	350	18Wx2	
HQEB230YZ36-2T8B	2171148002	0.98	323	230	50/60	-10~+50	65	360	30	30	350	36Wx2	



- 使用范围广，电源电压适用于200V~240V AC，在50~60Hz频率使用。
- 平均寿命20000小时。
- 耐高温 $t_c=65$ 。
- 采用金属外壳,表面喷粉,防火,防潮,防磁,防爆。
- 体积小，重量轻，噪声低，温升低，适应各种应用环境。安装简单、方便。

产品尺寸图
size



Electronic Ballast for FL features:

- Wide range of applications;
- Supply voltage: 200V~240V AC, Frequency: 50/60Hz;
- average life is 20000 hours;
- Good heat resistance performance with $T_c=65$;
- Adopting metal housing, power spraying on surface, fire proof, humidity proof, magnetic proof, explosion proof;
- Small size, light weight, low noise, low temperature rise, suitable for a variety of applications;
- Easy to install and convenient to maintain;

技术参数
data sheet

AC: 200~240V 50/60Hz

Ballast											Lamp	
型号 Model	产品代码 Code	I_n (mA)	U_n (V)	F_n (Hz)	T_a ()	T_c ()	l mm	b mm	h mm	m mm	配灯 Lamp	
HQEB230YZ18-1T8J	2171143003	0.90	86	230	50/60	-10~+50	65	290	30	19	280	18W
HQEB230YZ36-1T8J	2171148003	0.90	172	230	50/60	-10~+50	65	290	30	19	280	36W
HQEB230YZ18-2T8J	2171143004	0.90	185	230	50/60	-10~+50	65	360	30	30	350	18Wx2
HQEB230YZ36-2T8J	2171148004	0.90	350	230	50/60	-10~+50	65	360	30	30	350	36Wx2

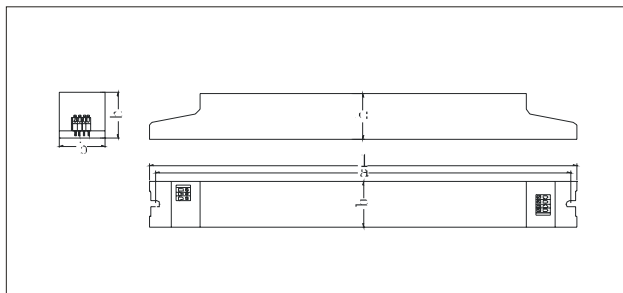


- 使用范围广，电源电压适用于180V~260V Ac，在50~60Hz频率使用，极强的抗电压波动。
- 低频载高频输出，解决电磁干扰，符合EMC要求。无频闪，大大提高光质量，提高光效率，节省电能。
- 自身功耗小；使灯管的寿命延长50%以上，工作稳定可靠，平均寿命30000小时。
- 当灯管寿终或异常状态保护功能。
- 耐高温 $t_c=65$ ，选用镇流器专用灌封胶，具有散热，防潮，防火，防爆等功能。
- 体积小，重量轻，噪声低，温升低，适应各种环境。安装简单、方便。
- 产品通过 CCC 认证。

Electronic Ballast for FL features:

- Wide range of applications;
- Supply voltage: 180V~260V AC, Frequency: 50/60Hz. Good resistance of voltage - fluctuation;
- A perfect solution to electromagnetic interferences by way of high frequency output carrying on low frequency load;
- Meet EMC requirements. No strobe lights. Improve light quality greatly, and enhance light efficiency. Energy saving;
- Low power loss. Extend lamp service life by 50%; Steady and reliable operation. Average life 30000 hours;
- Designs for end of lamp life protection and abnormal condition protection;
- Good heat resistance performance with $T_c=65$. Adopting a special potting material for ballast, which could enhance heat dissipation, humidity proof, fire proof, explosion proof.
- Small size, light weight, low noise, low temperature rise, and suitable for a variety of applications;
- Easy to install and convenient to maintain;
- CCC - certified.

产品尺寸图
size



技术参数 data sheet

AC: 180~260V 50/60Hz

Ballast											Lamp	
型号 Model	产品代码 Code	In(mA)	Un(V)	Fn(Hz)	Ta()	Tc()					配灯 Lamp	
HQEB230YZ54 - 1T5B	2171162001	0.98	242	230	50/60	-10~+50	65	360	30	350	54W	
HQEB230YZ35 - 1T5B	2171102001	0.98	160	230	50/60	-10~+50	65	360	30	350	35W	
HQEB230YZ28 - 1T5B	2171146001	0.98	128	230	50/60	-10~+50	65	360	30	350	28W	
HQEB230YZ21 - 1T5B	2171144001	0.98	98	230	50/60	-10~+50	65	290	30	280	21W	
HQEB230YZ14 - 1T5B	2171142001	0.98	65	230	50/60	-10~+50	65	290	30	280	14W	
HQEB220YZ35 - 2T5B	2171102002	0.98	314	230	50/60	-10~+50	65	360	30	350	35W x2	
HQEB220YZ28 - 2T5B	2171146002	0.98	258	230	50/60	-10~+50	65	360	30	350	28W x2	
HQEB220YZ21 - 2T5B	2171144003	0.98	195	230	50/60	-10~+50	65	360	30	350	21W x2	
HQEB220YZ14 - 2T5B	2171142002	0.98	125	230	50/60	-10~+50	65	360	30	350	14W x2	



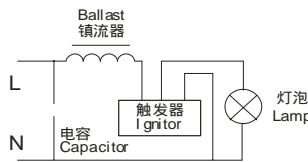
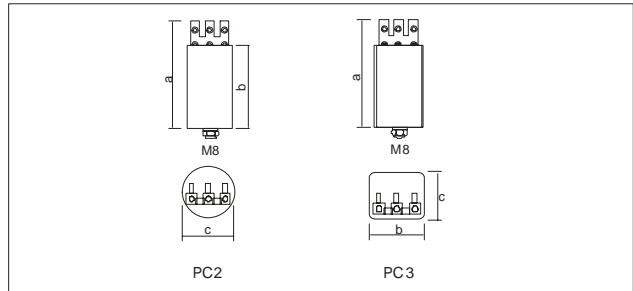
HID 电子触发器
HID Electronic Ignitor



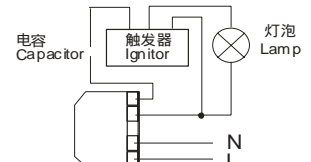
电子触发器是采用 IEC 标准设计制造，通过 IEC 性能及结构安全测试。获得 CE、CQC 认证。产品规格齐全，可满足不同类型的灯泡启动。产品具有较高的耐温， $t_c = 105$ ，可满足在恶劣的环境下使用。

Huaquan brand electronic ignitors are designed and manufactured in accordance with IEC standard. The ignitors are CE, CQC certified and have passed the IEC performance and structure safety tests. The wide range of HQ's ignitor models can meet the demands of starting various lamps. Its high heat endurance allows a maximum case temperature as high as 105 degree ($t_c = 105$). This excellent performance lets ignitor to operate well in a tough working condition.

产品尺寸图
size



接线图 A
Wiring diagram A



接线图 F
Wiring diagram F

技术参数 data sheet

TC: 105

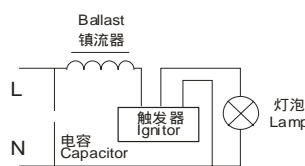
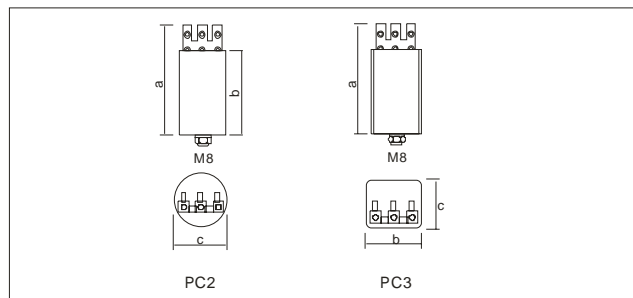
Ballast							Lamp				
型号 Model	产品代码 Code	电源电压 Supply voltage (v/Hz)	脉冲幅度 Pulse range (kv)	负载电容 Load capacitance (PF)	最大电流 Max current (A)	产品尺寸 Size(mm) Fig a b c	适用灯泡 (W) Lamp	适用灯泡管压 (V) lamp tube voltage	接线图 wiring diagram		
HQCD-7L(塑壳)	2220401003	220-240V 50/60Hz	3.5~4	20~100	1.8	Pc3 68 32 29	HPS/MH 35~150	80~150	A		
HQCD-7	2220402005	220-240V 50/60Hz	4~5	20~100	5	Pc2 82 65 35	HPS/MH 35~400	80~150	A		
HQIG-NG(塑壳)	2220401015	220-240V 50/60Hz	4~5	20~100	5	Pc3 82 32 29	HPS/MH 35~400	80~150	A/F		
HQIG-NGL(塑壳)	2220402011	220-240V 50/60Hz	2.8~3.5	20~100	6	Pc3 82 32 29	HPS/MH 70~400	80~150	A/F		



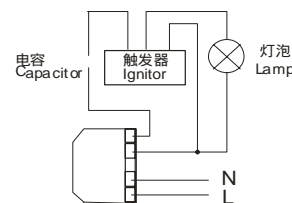
电子触发器是采用 IEC 标准设计制造，通过 IEC 性能及结构安全测试。获得 CE、CQC 认证。产品规格齐全，可满足不同类型的灯泡启动。产品具有较高的耐温， $t_c = 105$ ，可满足在恶劣的环境下使用。

Huaquan brand electronic ignitors are designed and manufactured in accordance with IEC standard. The ignitors are CE、CQC certified and have passed the IEC performance and structure safety tests. The wide range of HQ ' s ignitor models can meet the demands of starting various lamps. Its high heat endurance allows a maximum case temperature as high as 105 degree ($t_c = 105$). This excellent performance lets ignitor to operate well in a tough working condition.

产品尺寸图
size



接线图A
Wiring diagram A



接线图F
Wiring diagram F

技术参数
data sheet

TC: 105

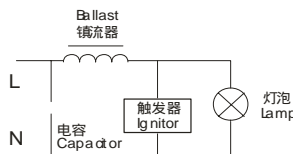
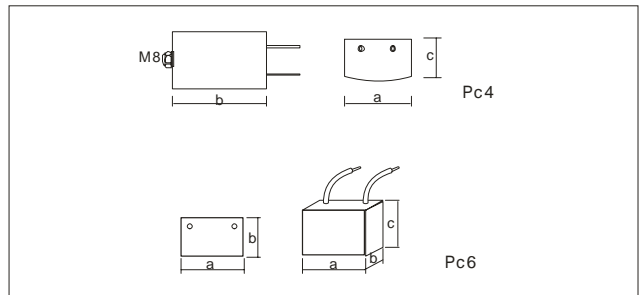
Ballast							Lamp				
型号 Model	产品代码 Code	电源电压 Supply voltage (v/Hz)	脉冲幅度 Pulse range (kv)	负载电容 Load capacitance (PF)	最大电流 Max current (A)	产品尺寸 Size(mm) Fig a b c	适用灯泡 (W) lamp	适用灯泡管压 (V) lamp tube voltage	接线图 wiring diagram		
HQCD - 7(塑壳)	2220401181	220 - 240V 50/60Hz	4~5	20~100	5	Pc3 82 32 29	HPS/MH 35~400	80~150	A/ F		
HQIG - NG	2220402223	220 - 240V 50/60Hz	4~5	20~100	5	Pc2 82 65 35	HPS/MH 35~400	80~150	A/ F		
HQIG - N	2220402222	220 - 240V 50/60Hz	4~5	20~100	12	Pc3 95 75 50	HPS 600~1000 MH 575~1000	80~150	A/ F		



电子触发器是采用 IEC 标准设计制造，通过 IEC 性能及结构安全测试。获得 CE、CQC 认证。产品规格齐全，可满足不同类型的灯泡启动。产品具有较高的耐温， $t_c = 105$ ，可满足在恶劣的环境下使用。

Huaquan brand electronic ignitors are designed and manufactured in accordance with IEC standard. The ignitors are CE、CQC certified and have passed the IEC performance and structure safety tests. The wide range of HQ's ignitor models can meet the demands of starting various lamps. Its high heat endurance allows a maximum case temperature as high as 105 degree ($t_c = 105$). This excellent performance lets ignitor to operate well in a tough working condition.

产品尺寸图
size



接线图 B
Wiring diagram B

技术参数 data sheet

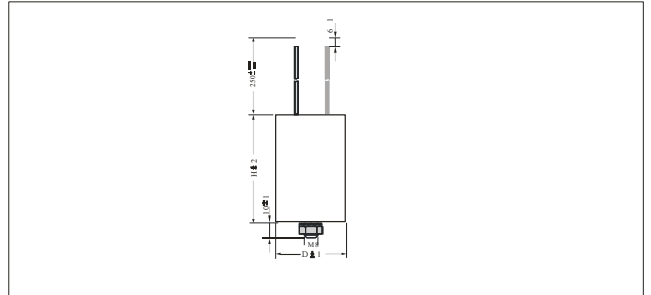
TC: 105

Ballast							Lamp					
型号 Model	产品代码 Code	电源电压 Supply voltage (V/Hz)	脉冲幅度 Pulse range (kv)	负载电容 Load capacitance (PF)	最大电流 Max current (A)	产品尺寸 Size(mm)	适用灯泡 (W) Lamp	适用灯泡管压 (V) Lamp tube voltage	接线图 wiring diagram			
HQCD-1	2210401004	220~240V 50/60Hz	3.0~5	20~1000	-	Pc4 35 52 25	HPS/MH 35~400	80~150	B			
HQCD-2	2210404001	220~240V 50/60Hz	3.5~5	20~1000	-	Pc6 41 26 37	HPS 35~400 MH 70~400	80~150	B			
HQCD-3	2210401006	220~240V 50/60Hz	4~6	20~1000	-	Pc6 40 63 59 27 43	HPS 35~1K MH 70~1K	80~150	B			



- Tc:100℃，耐高温。
- 灌封树脂，性能稳定寿命长。
- 内置放电电阻，防止触电。
- 通过IEC性能及结构安全测试。获得CE、CQC认证。
- 接线方式：
带引出连接线电容器（引线电容器）
- High temperature endurance with Tc:100℃.
- Vacuum - impregnated with Oleoresin, good air - tight, stable performance and long service life;
- Built - in discharge resistor to avoid electric shock.
- Pass the tests of IEC61049 performance and configuration, CQC and CE certified.
- Wiring mode:
Capacitor with lead lines (Lead -line capacitor).

产品尺寸图
size



技术参数
data sheet

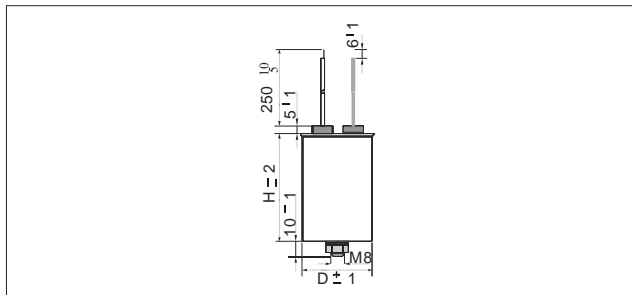
Tc: - 40~100℃

型号 Model	产品代码 Code	容量(uF) capacitance	额定电压(V) rated voltage	直径(mm) diameter D	高度(mm) Height H	安装螺丝 (mm) Mounting screw	壳体温度tc () Case temp.
HQCC - 6/P	2320204201	6	250V/50~60Hz	30	60	M8	100
HQCC - 8/P	2320206201	8	250V/50~60Hz	30	60	M8	100
HQCC - 9.5/P	2320208201	9.5	250V/50~60Hz	35	80	M8	100
HQCC - 10/P	2320209201	10	250V/50~60Hz	35	80	M8	100
HQCC - 12/P	2320211234	12	250V/50~60Hz	35	80	M8	100
HQCC - 18/P	2320217242	18	250V/50~60Hz	35	80	M8	100
HQCC - 20/P	2320219201	20	250V/50~60Hz	45	80	M8	100
HQCC - 25/P	2320224201	25	250V/50~60Hz	45	80	M8	100
HQCC - 28/P	2320226201	28	250V/50~60Hz	45	80	M8	100
HQCC - 30/P	2320228201	30	250V/50~60Hz	45	80	M8	100
HQCC - 32/P	2320230201	32	250V/50~60Hz	45	80	M8	100
HQCC - 35/P	2320233201	35	250V/50~60Hz	45	80	M8	100
HQCC - 40/P	2320236201	40	250V/50~60Hz	50	90	M8	100
HQCC - 50/P	2320241201	50	250V/50~60Hz	50	90	M8	100
HQCC - 60/P	2320243201	60	250V/50~60Hz	55	90	M8	100



- Tc:105 ，耐高温。
- 灌封油状树脂，真空处理，气密性好，性能稳定寿命长。
- 内置放电电阻，防止触电。
- 通过IEC性能及结构安全测试。获得CE、CQC认证。
- 接线方式：
带引出连接线电容器（引线电容器）
- High temperature endurance with Tc:105℃.
- Vacuum-impregnated with Oleoresin, good air-tight, stable performance and long service life;
- Built-in discharge resistor to avoid electric shock.
- Pass the tests of IEC61049 performance and configuration, CQC and CE certified.
- Wiring mode:
Capacitor with lead lines (Lead-line capacitor).

产品尺寸图
size



技术参数 data sheet

Tc: - 40~105℃

型号 Model	产品代码 Code	容量(uF) capacitance	额定电压(V) rated voltage	直径(mm) diameter D	高度(mm) Height H	安装螺丝 (mm) Mounting screw	壳体温度tc () Case temp.
HQCS-9.5	2310708001	9.5	540V/50-60 Hz	45	80	M8	105
HQCS-10	2310709001	10	540V/50-60 Hz	45	80	M8	105
HQCS-12	2310711001	12	540V/50-60 Hz	45	90	M8	105
HQCS-13	2310712001	13	540V/50-60 Hz	45	90	M8	105
HQCS-15	2310714001	15	540V/50-60 Hz	45	90	M8	105
HQCS-18	2310717001	18	540V/50-60 Hz	50	90	M8	105
HQCS-22	2310721001	22	540V/50-60 Hz	50	100	M8	105
HQCS-25	2310724001	25	540V/50-60 Hz	55	100	M8	105
HQCS-26	2310725001	26	540V/50-60 Hz	55	100	M8	105
HQCS-28	2310726001	28	540V/50-60 Hz	55	100	M8	105
HQCS-30	2310728001	30	540V/50-60 Hz	55	110	M8	105
HQCS-32	2310730001	32	540V/50-60 Hz	55	110	M8	105
HQCS-35	2310733001	35	540V/50-60 Hz	60	100	M10	105
HQCS-41	2310737001	41	540V/50-60 Hz	60	110	M10	105





HID 电器箱系列
HID Gear Box series



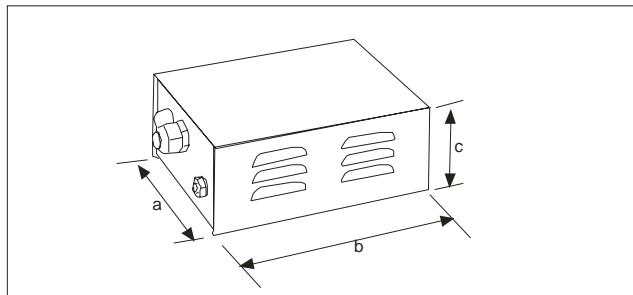


HID户内照明电器箱体积小、性能优越、稳定、寿命长。配电箱是由极高品质的电器配件组合，产品出厂前经过严格的安全及性能检测。使用环境温度为 -25 ~ 50 ，外壳采用电解铁板经喷塑处理，具有非常强的防锈能力，外壳上带有可维护的保险装置有耐高温、高压的引线输出和具有较强耐温的电源引入线，使用方便、可靠。

HID gearbox for indoor lighting features:

- Small size;
- Excellent stable performance, long service life;
- Assembled by high quality components and parts;
- Passed strict safety and performance tests before shipping;
- Operating temperature: -25 ~ 50 ;
- Anodizing iron casing and plastic spurts coating for anti - corrosion;
- Easy to maintain with fuses on case;
- Output leads with high heat and high voltage resistance, input leads for power supply with high heat resistance;
- Easy to use and reliable.

产品尺寸图
size



技术参数 data sheet

Ballast						Lamp				
型号 Model	产品代码 Code	电源电压 Supply voltage (v/Hz)	输入电流 input current (A)	功率因数 power factor cos	产品尺寸 Size(mm)	灯泡类型 bulb type	灯管电流(A) tube current	灯管功率(W) tube power		
					a b c					
HQBN - 35L/A	2420202006	220V 50Hz	0.217	0.9	131 197 72	HPS/MH	0.53	35		
HQBN - 50L/A	2420203001	220V 50Hz	0.298	0.9	131 197 72	HPS/MH	0.76	50		
HQBN - 70L/A	2420204009	220V 50Hz	0.419	0.9	131 197 72	HPS/MH	0.98	70		
HQBN - 100L/A	2420206003	220V 50Hz	0.576	0.9	131 197 72	HPS/MH	1.20	100		
HQBN - 150L/A	2420209008	220V 50Hz	0.859	0.9	131 197 72	HPS/MH	1.80	150		
HQBG - 175L/A	2420310001	220V 50Hz	0.960	0.9	131 197 72	MH	1.50	175		
HQBG - 250L/A	2420312002	220V 50Hz	1.364	0.9	131 197 72	MH	2.13	250		

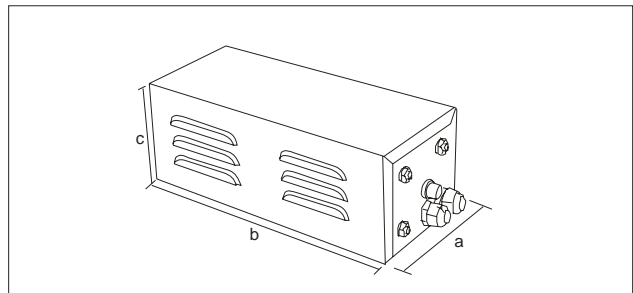


HID户内照明电器箱体积小、性能优越、稳定、寿命长。配电箱是由极高品质的电器配件组合，产品出厂前经过严格的安全及性能检测。使用环境温度为 -25 ~ 50 ，外壳采用电解铁板经喷塑处理，具有非常强的防锈能力，外壳上带有可维护的保险装置有耐高温、高压的引线输出和具有较强耐温的电源引入线，使用方便、可靠。

HID gearbox for indoor lighting features:

- Small size;
- Excellent stable performance, long service life ;
- Assembled by high quality components and parts;
- Passed strict safety and performance tests before shipping;
- Operating temperature: -25 ~ 50 ;
- Anodizing iron casing and plastic spurts coating for anti - corrosion;
- Easy to maintain with fuses on case;
- Output leads with high heat and high voltage resistance, input leads for power supply with high heat resistance;
- Easy to use and reliable.

产品尺寸图
size



技术参数 data sheet

Ballast						Lamp				
型号 Model	产品代码 Code	电源电压 Supply voltage (v/Hz)	输入电流 input current (A)	功率因数 power factor cos	产品尺寸 Size(mm)			灯泡类型 bulb type	灯管电流(A) tube current	灯管功率(W) tube power
					a	b	c			
HQBG - 250L/B	2420312001	220V 50Hz	1.364	0.9	126	295	111	MH	2.13	250
HQBG - 400L/B	2420317001	220V 50Hz	2.141	0.9	126	295	111	MH	3.25/3.40	400
HQBN - 250L/B	2420212001	220V 50Hz	1.389	0.9	126	295	111	HPS/MH	3.00	250
HQBN - 400L/B	2420217001	220V 50Hz	2.192	0.9	126	295	111	HPS/MH	4.60	400
HQBN - 600L/B	2420219001	220V 50Hz	3.258	0.9	126	295	111	HPS/MH	6.20	600
HQBJ - 175L/B	2420410001	220V 50Hz	1.050	0.9	126	295	111	MH	1.50	175
HQBJ - 250L/B	2420412001	220V 50Hz	1.460	0.9	126	295	111	MH	2.15	250

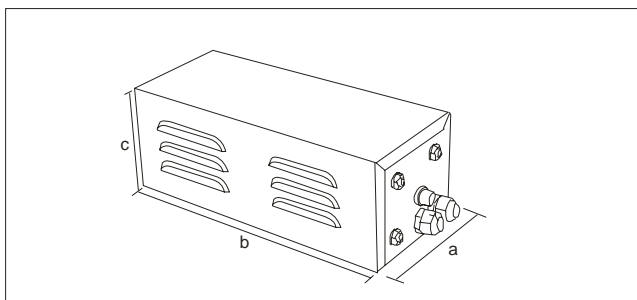


HID户内照明电器箱体积小、性能优越、稳定、寿命长。配电箱是由极高品质的电器配件组合，产品出厂前经过严格的安全及性能检测。使用环境温度为 -25 ~ 50 ，外壳采用电解铁板经喷塑处理，具有非常强的防锈能力，外壳上带有可维护的保险装置有耐高温、高压的引线输出和具有较强耐温的电源引入线，使用方便、可靠。

HID gearbox for indoor lighting features:

- Small size;
- Excellent stable performance, long service life;
- Assembled by high quality components and parts;
- Passed strict safety and performance tests before shipping;
- Operating temperature: -25 ~ 50 ;
- Anodizing iron casing and plastic spurts coating for anti - corrosion;
- Easy to maintain with fuses on case;
- Output leads with high heat and high voltage resistance, input leads for power supply with high heat resistance;
- Easy to use and reliable.

产品尺寸图
size



技术参数 data sheet

Ballast						Lamp				
型号 Model	产品代码 Code	电源电压 Supply voltage (v/Hz)	输入电流 input current (A)	功率因数 power factor cos	产品尺寸 Size(mm)			灯泡类型 bulb type	灯管电流(A) tube current	灯管功率(W) tube power
					a	b	c			
HQBG - 1000L/C	2420322001	220V 50Hz	5.303	0.9	165	355	125	MH	8.25	1000
HQBN - 1000L/C	2420222001	220V 50Hz	5.404	0.9	165	355	125	HPS/MH	10.30/9.50	1000
HQBJ - 400L/C	2420417001	220V 50Hz	2.280	0.9	165	355	125	MH	3.25	400
HQBJ - 1000L/C	2420422001	220V 50Hz	5.200	0.9	165	355	125	MH	4.10	1000
HQBJ - 1500L/C	2420424001	220V 50Hz	7.100	0.9	185	360	145	MH	6.20	1500

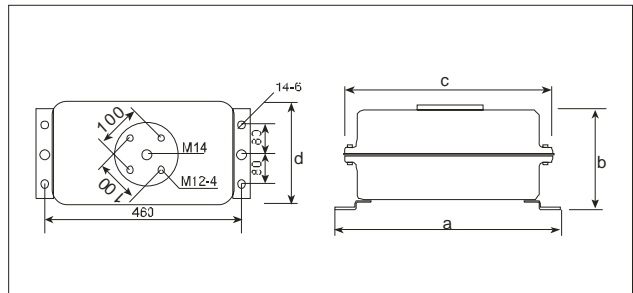


HID户内照明电器箱体积小、性能优越、稳定、寿命长。配电箱是由极高品质的电器配件组合，产品出厂前经过严格的安全及性能检测。使用环境温度为 -25 ~ 50 ，外壳采用电解铁板经喷塑处理，具有非常强的防锈能力，外壳上带有可维护的保险装置有耐高温、高压的引线输出和具有较强耐温的电源引入线，使用方便、可靠。

HID gearbox for indoor lighting features:

- Small size;
- Excellent stable performance, long service life ;
- Assembled by high quality components and parts ;
- Passed strict safety and performance tests before shipping;
- Operating temperature: - 25 ~ 50 ;
- Anodizing iron casing and plastic spurts coating for anti - corrosion;
- Easy to maintain with fuses on case;
- Output leads with high heat and high voltage resistance, input leads for power supply with high heat resistance;
- Easy to use and reliable.

产品尺寸图
size



技术参数 data sheet

Ballast						Lamp					
型号 Model	产品代码 Code	电源电压 Supply voltage (v/Hz)	输入电流 input factor (A)	功率因数 power factor cos	产品尺寸 Size(mm)				灯泡类型 bulb type	灯管电流(A) tube current	灯管功率(W) tube power
					a	b	c	d			
HQBN - 1000L/E	2420222002	220V 50Hz	5.404	0.9	500	210	455	280	HPS/MH	10.30/9.50	1000
HQBG - 1000L/E	2420322002	220V 50Hz	5.303	0.9	500	210	455	280	MH	7.50/8.25	1000
HQBG - 1800L/E	2420325002	220V 50Hz	9.697	0.9	500	210	455	280	MH	17.30	1800
HQBG - 2000L/E	2420326002	380V 50Hz	5.850	0.9	500	210	455	280	MH	10.30	2000
HQBJ - 1000L/E	2420422002	220V 50Hz	5.200	0.9	500	210	455	280	MH	4.20	1000
HQBJ - 1500L/E	2420424002	220V 50Hz	7.100	0.9	500	210	455	280	MH	6.20	1500

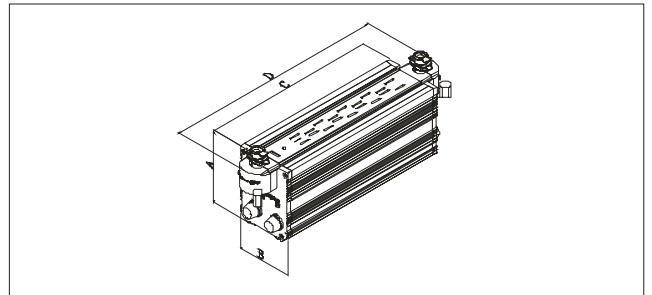


HID户内照明电器箱体积小、性能优越、稳定、寿命长。配电箱是由极高品质的电器配件组合，产品出厂前经过严格的安全及性能检测。使用环境温度为 -25 ~ 50 ，外壳采用电解铁板经喷塑处理，具有非常强的防锈能力，外壳上带有可维护的保险装置有耐高温、高压的引线输出和具有较强耐温的电源引入线，使用方便、可靠。

HID gearbox for indoor lighting features:

- Small size;
- Excellent stable performance, long service life ;
- Assembled by high quality components and parts;
- Passed strict safety and performance tests before shipping;
- Operating temperature: - 25 ~ 50 ;
- Anodizing iron casing and plastic spurts coating for anti - corrosion;
- Easy to maintain with fuses on case;
- Output leads with high heat and high voltage resistance, input leads for power supply with high heat resistance;
- Easy to use and reliable.

产品尺寸图
size



技术参数 data sheet

Ballast							Lamp					
型号 Model	产品代码 Code	电源电压 Supply voltage (v/Hz)	输入电流 input current (A)	功率因数 Power factor cos	产品尺寸 Size(mm)				灯泡类型 bulb type	灯管电流(A) tube current	灯管功率(W) tube power	
					a	b	c	c				
HQBN - 35L - F	2430202002	220V 50Hz	0.217	0.9	79.5	60	190	240	MH	0.53	35	
HQBN - 50L - F	2430203002	220V 50Hz	0.298	0.9	79.5	60	190	240	MH	0.76	50	
HQBN - 70L - F	2430204002	220V 50Hz	0.419	0.9	79.5	60	190	240	MH	0.98	70	
HQBN - 100L - F	2430206002	220V 50Hz	0.576	0.9	79.5	60	190	240	MH	1.20	100	
HQBN - 150L - F	2430209002	220V 50Hz	0.859	0.9	79.5	60	190	240	MH	1.80	150	

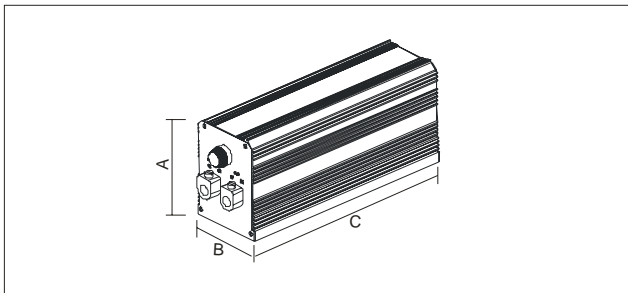


HID户内照明电器箱体积小、性能优越、稳定、寿命长。配电箱是由极高品质的电器配件组合，产品出厂前经过严格的安全及性能检测。使用环境温度为 -25 ~ 50，外壳采用电解铁板经喷塑处理，具有非常强的防锈能力，外壳上带有可维护的保险装置有耐高温、高压的引线输出和具有较强耐温的电源引入线，使用方便、可靠。

HID gearbox for indoor lighting features:

- Small size;
- Excellent stable performance, long service life ;
- Assembled by high quality components and parts;
- Passed strict safety and performance tests before shipping;
- Operating temperature: -25 ~ 50 ;
- Anodizing iron casing and plastic spurt coating for anti - corrosion;
- Easy to maintain with fuses on case;
- Output leads with high heat and high voltage resistance, input leads for power supply with high heat resistance;
- Easy to use and reliable.

产品尺寸图
size



技术参数 data sheet

Ballast						Lamp			
型号 Model	产品代码 Code	电源电压 Supply voltage (v/Hz)	输入电流 input current (A)	功率因数 power factor cos	产品尺寸 Size(mm)	灯泡类型 bulb type	灯管电流(A) tube current	灯管功率(W) tube power	
					a	b	c		
HQBN - 35L - F1	2430202601	220V 50Hz	0.217	0.9	80 60 180	MH	0.53	35	
HQBN - 50L - F1	2430203601	220V 50Hz	0.298	0.9	80 60 180	MH	0.76	50	
HQBN - 70L - F1	2430204601	220V 50Hz	0.419	0.9	80 60 180	MH	0.98	70	
HQBN - 100L - F1	2430206601	220V 50Hz	0.576	0.9	80 60 214	MH	1.20	100	
HQBN - 150L - F1	2430209601	220V 50Hz	0.859	0.9	80 60 214	MH	1.80	150	

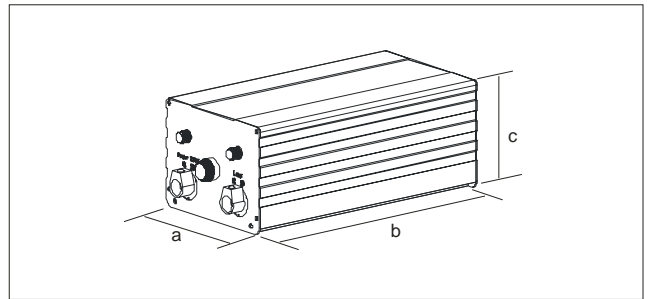


HID户内照明电器箱体积小、性能优越、稳定、寿命长。配电箱是由极高品质的电器配件组合，产品出厂前经过严格的安全及性能检测。使用环境温度为 -25 ~ 50 ，外壳采用电解铁板经喷塑处理，具有非常强的防锈能力，外壳上带有可维护的保险装置有耐高温、高压的引线输出和具有较强耐温的电源引入线，使用方便、可靠。

HID gearbox for indoor lighting features:

- Small size;
- Excellent stable performance, long service life ;
- Assembled by high quality components and parts;
- Passed strict safety and performance tests before shipping;
- Operating temperature: -25 ~ 50 ;
- Anodizing iron casing and plastic spurts coating for anti - corrosion;
- Easy to maintain with fuses on case;
- Output leads with high heat and high voltage resistance, input leads for power supply with high heat resistance;
- Easy to use and reliable.

产品尺寸图
size



技术参数 data sheet

Ballast						Lamp			
型号 Model	电源电压 Supply voltage (v/Hz)	输入电流 input current (A)	功率因数 power factor cos	产品尺寸 Size(mm)			灯泡类型 bulb type	灯管电流(A) tube current	灯管功率(W) tube power
				a	b	c			
HQBN -35L/G	220V 50Hz	0.217	0.9	99	190	76	HPS/MH	0.53	35
HQBN -70L/G	220V 50Hz	0.419	0.9	99	190	76	HPS/MH	0.98	70
HQBN -150L/G	220V 50Hz	0.859	0.9	99	190	76	HPS/MH	1.80	150

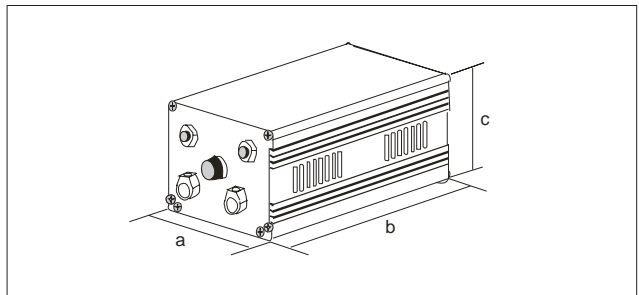


HID室内照明电器箱体积小、性能优越、稳定、寿命长。配电箱是由极高品质的电器配件组合，产品出厂前经过严格的安全及性能检测。使用环境温度为 -25 ~ 50，外壳采用电解铁板经喷塑处理，具有非常强的防锈能力，外壳上带有可维护的保险装置有耐高温、高压的引线输出和具有较强耐温的电源引入线，使用方便、可靠。

HID gearbox for indoor lighting features:

- Small size;
- Excellent stable performance, long service life;
- Assembled by high quality components and parts;
- Passed strict safety and performance tests before shipping;
- Operating temperature: -25 ~ 50 ;
- Anodizing iron casing and plastic spurt coating for anti-corrosion;
- Easy to maintain with fuses on case;
- Output leads with high heat and high voltage resistance, input leads for power supply with high heat resistance;
- Easy to use and reliable.

产品尺寸图
size



技术参数 data sheet

Ballast						Lamp		
型号 Model	产品代码 Code	电源电压 Supply voltage (v/Hz)	输入电流 input current (A)	功率因数 power factor cos	产品尺寸 Size (mm)	灯泡类型 bulb type	灯管电流(A) tube current	灯管功率(W) tube power
					a b c			
HQBN - 35L/G1	2430202004	220V 50Hz	0.217	0.9	99 190 76	HPS/MH	0.53	35
HQBN - 70L/G1	2430204019	220V 50Hz	0.419	0.9	99 190 76	HPS/MH	0.98	70
HQBN - 150L/G1	2430209006	220V 50Hz	0.859	0.9	99 190 76	HPS/MH	1.80	150

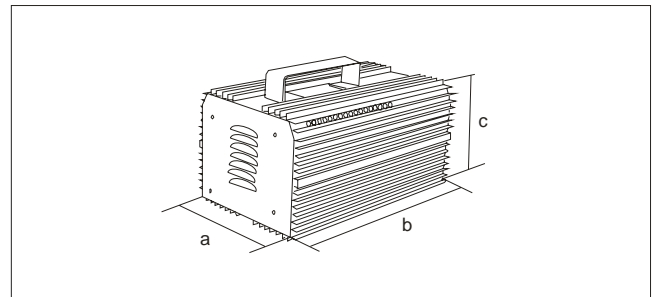


HID户内照明电器箱体积小、性能优越、稳定、寿命长。配电箱是由极高品质的电器配件组合，产品出厂前经过严格的安全及性能检测。使用环境温度为 -25 ~ 50 ，外壳采用电解铁板经喷塑处理，具有非常强的防锈能力，外壳上带有可维护的保险装置有耐高温、高压的引线输出和具有较强耐温的电源引入线，使用方便、可靠。

HID gearbox for indoor lighting features:

- Small size;
- Excellent stable performance, long service life ;
- Assembled by high quality components and parts;
- Passed strict safety and performance tests before shipping;
- Operating temperature: -25 ~ 50 ;
- Anodizing iron casing and plastic spurts coating for anti - corrosion;
- Easy to maintain with fuses on case;
- Output leads with high heat and high voltage resistance, input leads for power supply with high heat resistance;
- Easy to use and reliable.

产品尺寸图
size



技术参数 data sheet

Ballast						Lamp				
型号 Model	产品代码 Code	电源电压 Supply voltage (v/Hz)	输入电流 input factor (A)	功率因数 power factor cos	产品尺寸 Size(mm)	灯泡类型 bulb type	灯管电流(A) tube current	灯管功率(W) tube power		
					a b c					
HQBO - 400L/H	2440917020	120V 60Hz	4.0	0.9	196 330 196	MH	3.5	400		
HQBO - 1000L/H	2440922020	120V 60Hz	9.5	0.9	196 330 196	MH	4.1	1000		
HQBN - 400L/H	2440217020	120V 60Hz	4.0	0.9	196 330 196	HPS	4.6	400		
HQBN - 600L/H	2440219020	120V 60Hz	6.0	0.9	196 330 196	HPS	6.2	600		
HQBN - 1000L/H	2440222020	120V 60Hz	9.5	0.9	196 330 196	HPS	4.7	1000		



材质

- 高压压铸铝箱体。
- 硅橡胶密封圈。
- 不锈钢固定螺丝和不锈钢防水接头。

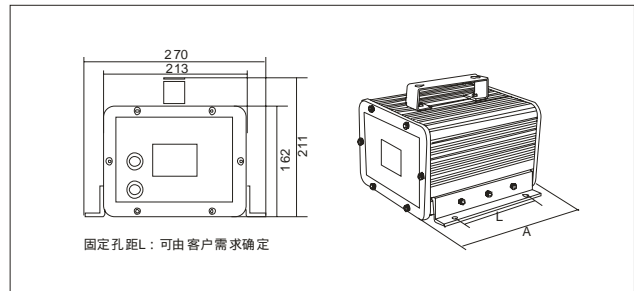
特点

- 配套电器采用高品质华全牌三件套电器。
- 极佳散热设计，能有效保证电器产品更长的使用寿命。
- 外箱采用抗UV树脂粉喷涂固化处理，箱体坚固，耐腐蚀，使用寿命长。
- 采用优质电缆线引出方式，与灯具连接、安装调试非常简单方便。
- 防护等级：IP65
- 电器绝缘等级：Class I

Gearbox for outdoor lighting features:

- Excellent stable performance, long service life ;
- Assembled by high quality components and parts;
- Passed strict safety and performance tests before shipping;
- Operating temperature: -25 ~ 50 ;
- Alloy casing structure, excellent IP65 and heat dissipation function ;
- Easy to maintain with fuse on case;
- Output leads with high heat and high voltage resistance, input leads for power supply with high heat resistance;
- Easy to use and reliable.

产品尺寸图
size



Ballast					产品尺寸 Size(mm)	Lamp		
型号 Model	产品代码 Code	电源电压 Supply voltage (v/Hz)	输入电流 input current (A)	功率因数 power factor cos		灯泡类型 bulb type	灯管电流(A) tube current	灯管功率(W) tube power
HQBN-70L-K	-	220V 50Hz	0.419	0.9	284	HPS/MH	0.98	70
HQBN-100L-K	-	220V 50Hz	0.576	0.9	284	HPS/MH	1.20	100
HQBN-150L-K	-	220V 50Hz	0.859	0.9	284	HPS/MH	1.80	150
HQBN-250L-K	-	220V 50Hz	1.389	0.9	284	HPS/MH	3.00	250
HQBN-400L-K	-	220V 50Hz	2.192	0.9	284	HPS/MH	4.60	400
HQBN-600L-K	-	220V 50Hz	3.258	0.9	284	HPS/MH	6.20	600
HQBN-1000L-K	-	220V 50Hz	5.404	0.9	434	HPS/MH	10.30/9.50	1000
HQBO-1500L-K	-	380V 50Hz	4.610	0.9	434	MH	6.20	1500
HQBO-2000L-K	-	380V 50Hz	5.850	0.9	434	MH	10.30	2000

注：可按客户要求配套CWA & HX-HPF电器



材质

- 高压压铸铝箱箱体
- 硅橡胶密封圈。
- 不锈钢固定螺丝和不锈钢防水接头。

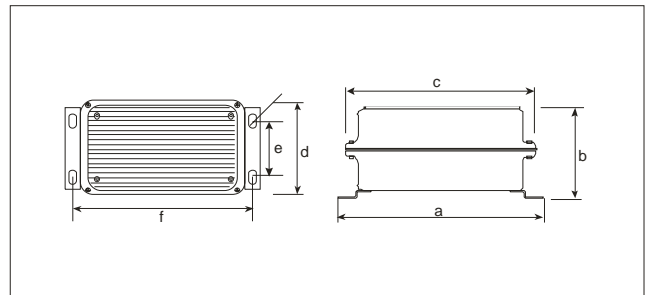
特点

- 配套电器采用高品质全牌三件套电器。
- 极佳散热设计，能有效保证电器产品更长的使用寿命。
- 外箱采用抗UV树脂粉喷涂固化处理，箱体坚固，耐腐蚀，使用寿命长。
- 采用优质电缆线引出方式，与灯具连接、安装调试非常简单方便。
- 防护等级：IP65
- 电器绝缘等级：Class I

Gearbox for outdoor lighting features:

- Excellent stable performance, long service life;
- Assembled by high quality components and parts;
- Passed strict safety and performance tests before shipping;
- Operating temperature: - 25 ~ 50 ;
- Alloy casing structure, excellent IP65 and heat dissipation function ;
- Easy to maintain with fuse on case;
- Output leads with high heat and high voltage resistance, input leads for power supply with high heat resistance;
- Easy to use and reliable.

产品尺寸图
size



Ballast						Lamp			
型号 Model	产品代码 Code	电源电压 Supply voltage (v/Hz)	输入电流 input current (A)	功率因数 power factor cos	产品尺寸 Size(mm)	灯泡类型 bulb type	灯管电流(A) tube current	灯管功率(W) tube power	
					a b c d e f				
HQBN-70L-L	-	220V 50Hz	0.402	0.9	300 170 267 200 130 280	HPS/MH	0.98	70	
HQBN-100L-L	-	220V 50Hz	0.550	0.9	300 170 267 200 130 280	HPS/MH	1.20	100	
HQBN-150L-L	-	220V 50Hz	0.810	0.9	300 170 267 200 130 280	HPS/MH	1.80	150	
HQBN-250L-L	-	220V 50Hz	1.320	0.9	300 170 267 200 130 280	HPS/MH	2.13	250	
HQBN-400L-L	-	220V 50Hz	2.090	0.9	300 170 267 200 130 280	HPS/MH	4.60	400	

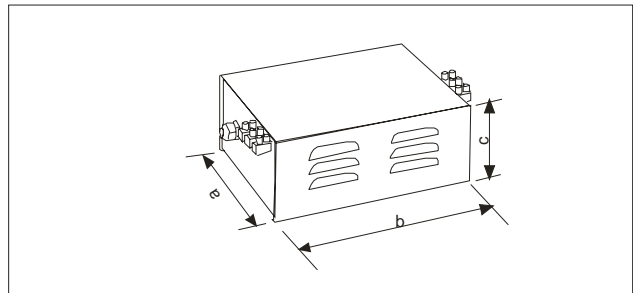


HID户内照明电器箱体积小、性能优越、稳定、寿命长。配电箱是由极高品质的电器配件组合，产品出厂前经过严格的安全及性能检测。使用环境温度为 -25 ~ 50 ，外壳采用电解铁板经喷塑处理，具有非常强的防锈能力，外壳上带有可维护的保险装置有耐高温、高压的引线输出和具有较强耐温的电源引入线，使用方便、可靠。

HID gearbox for indoor lighting features:

- Small size;
- Excellent stable performance, long service life ;
- Assembled by high quality components and parts;
- Passed strict safety and performance tests before shipping;
- Operating temperature: -25 ~ 50 ;
- Anodizing iron casing and plastic spurts coating for anti - corrosion;
- Easy to maintain with fuses on case;
- Output leads with high heat and high voltage resistance , input leads for power supply with high heat resistance;
- Easy to use and reliable.

产品尺寸图
size



技术参数 data sheet

Ballast						Lamp				
型号 Model	产品代码 Code	电源电压 Supply voltage (v/Hz)	输入电流 input current (A)	功率因数 power factor cos	产品尺寸 Size (mm)			灯泡类型 bulb type	灯管电流(A) tube current	灯管功率(W) tube power
					a	b	c			
HQBN -35L- S	2420202005	220V 50Hz	0.217	0.9	110	165	57	HPS/MH	0.53	35
HQBN -50L- S	2420203003	220V 50Hz	0.298	0.9	110	165	57	HPS/MH	0.76	50
HQBN -70L- S	2420204008	220V 50Hz	0.419	0.9	110	165	57	HPS/MH	0.98	70
HQBN -100L- S	2420206002	220V 50Hz	0.576	0.9	110	165	57	HPS/MH	1.20	100
HQBN -150L- S	2420209001	220V 50Hz	0.859	0.9	110	165	57	HPS/MH	1.80	150

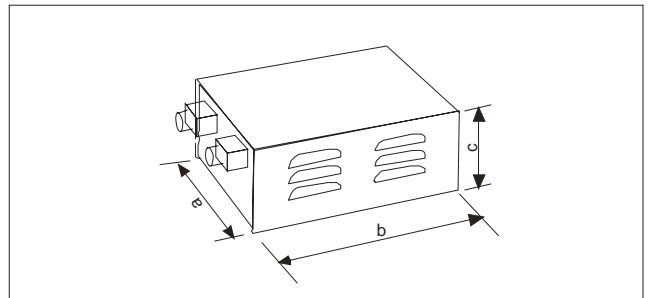


HID照明电器箱体积小、性能优越、稳定、寿命长。配电箱是由极高品质的电器配件组合，产品出厂前经过严格的安全及性能检测。使用环境温度为-25 ~ 50，外壳采用铝合金结构，具有IP65防护等级和散热功能，外壳上带有可维护的保险装置。有耐高温、高压的引线输出和具有较强耐温的电源引入线，使用方便、可靠。

Gearbox for outdoor lighting features:

- Excellent stable performance, long service life;
- Assembled by high quality components and parts;
- Passed strict safety and performance tests before shipping;
- Operating temperature: -25 ~ 50 ;
- Alloy casing structure, excellent IP65 and heat dissipation function ;
- Easy to maintain with fuse on case;
- Output leads with high heat and high voltage resistance, input leads for power supply with high heat resistance;
- Easy to use and reliable.

产品尺寸图
size



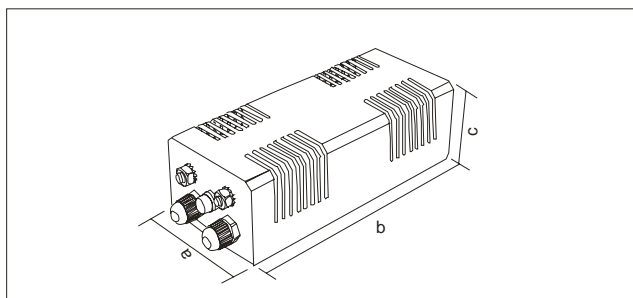
技术参数 data sheet

Ballast					Lamp				
型号 Model	电源电压 Supply voltage (v/Hz)	输入电流 input current (A)	功率因数 power factor cos	产品尺寸 Size (mm)			灯泡类型 bulb type	灯管电流(A) tube current	灯管功率(W) tube power
				a	b	c			
HQBN-35L-S1	220V 50Hz	0.217	0.9	110	165	69	HPS/MH	0.53	35
HQBN-50L-S1	220V 50Hz	0.298	0.9	110	165	69	HPS/MH	0.76	50
HQBN-70L-S1	220V 50Hz	0.419	0.9	110	165	69	HPS/MH	0.98	70
HQBN-100L-S1	220V 50Hz	0.576	0.9	110	165	69	HPS/MH	1.20	100
HQBN-150L-S1	220V 50Hz	0.859	0.9	110	165	69	HPS/MH	1.80	150



HID照明电器箱体积小、性能优越、稳定、寿命长。配电箱是由极高品质的电器配件组合，产品出厂前经过严格的安全及性能检测。使用环境温度为-25 ~ 50，外壳采用铝合金结构，具有IP65防护等级和散热功能，外壳上带有可维护的保险装置。有耐高温、高压的引线输出和具有较强耐温的电源引入线，使用方便、可靠。

产品尺寸图
size



Gear box for outdoor lighting features:

- Excellent stable performance, long service life ;
- Assembled by high quality components and parts;
- Passed strict safety and performance tests before shipping;
- Operating temperature: -25 ~ 50 ;
- Alloy casing structure, excellent IP65 and heat dissipation function ;
- Easy to maintain with fuse on case;
- Output leads with high heat and high voltage resistance, input leads for power supply with high heat resistance;
- Easy to use and reliable.

技术参数 data sheet

Ballast					Lamp				
型号 Model	电源电压 Supply voltage (v/Hz)	输入电流 input current (A)	功率因数 power factor cos	产品尺寸 Size(mm)			灯泡类型 bulb type	灯管电流(A) tube current	灯管功率(W) tube power
				a	b	c			
HQBN -35L - S2	220V 50Hz	0.217	0.9	94	211	72	HPS/MH	0.53	35
HQBN -50L - S2	220V 50Hz	0.298	0.9	94	211	72	HPS/MH	0.76	50
HQBN -70L - S2	220V 50Hz	0.419	0.9	94	211	72	HPS/MH	0.98	70
HQBN -100L - S2	220V 50Hz	0.576	0.9	94	211	72	HPS/MH	1.20	100
HQBN -150L - S2	220V 50Hz	0.859	0.9	94	211	72	HPS/MH	1.80	150

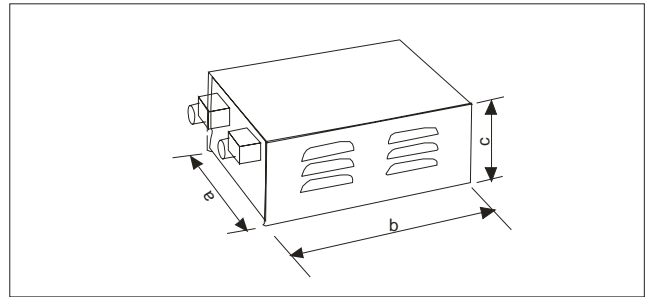


HID照明电器箱体积小、性能优越、稳定、寿命长。配电箱是由极高品质的电器配件组合，产品出厂前经过严格的安全及性能检测。使用环境温度 $-25 \sim 50$ ，外壳采用铝合金结构，具有IP65防护等级和散热功能，外壳上带有可维护的保险装置。有耐高温、高压的引线输出和具有较强耐温的电源引入线，使用方便、可靠。

Gearbox for outdoor lighting features:

- Excellent stable performance, long service life;
- Assembled by high quality components and parts;
- Passed strict safety and performance tests before shipping;
- Operating temperature: $-25 \sim 50$;
- Alloy casing structure, excellent IP65 and heat dissipation function ;
- Easy to maintain with fuse on case;
- Output leads with high heat and high voltage resistance, input leads for power supply with high heat resistance;
- Easy to use and reliable.

产品尺寸图
size



技术参数 data sheet

Ballast						Lamp				
型号 Model	产品代码 Code	电源电压 Supply voltage (v/Hz)	输入电流 input current (A)	功率因数 power factor cos	产品尺寸 Size(mm)			灯泡类型 bulb type	灯管电流(A) tube current	灯管功率(W) tube power
					a	b	c			
HQBN - 35L - S3	2420202004	220V 50Hz	0.217	0.9	110	165	69	HPS/MH	0.53	35
HQBN - 50L - S3	2420203002	220V 50Hz	0.298	0.9	110	165	69	HPS/MH	0.76	50
HQBN - 70L - S3	2420204007	220V 50Hz	0.419	0.9	110	165	69	HPS/MH	0.98	70
HQBN - 100L - S3	2420206001	220V 50Hz	0.576	0.9	110	165	69	HPS/MH	1.20	100
HQBN - 150L - S3	2420209005	220V 50Hz	0.859	0.9	110	165	69	HPS/MH	1.80	150

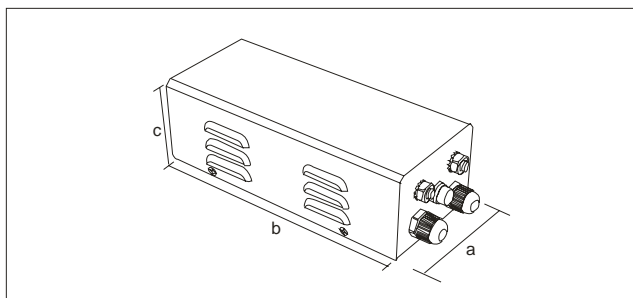


HID照明电器箱体积小、性能优越、稳定、寿命长。配电箱是由极高品质的电器配件组合，产品出厂前经过严格的安全及性能检测。使用环境温度 $-25 \sim 50$ ，外壳采用铝合金结构，具有IP65防护等级和散热功能，外壳上带有可维护的保险装置。有耐高温、高压的引线输出和具有较强耐温的电源引入线，使用方便、可靠。

Gearbox for outdoor lighting features:

- Excellent stable performance, long service life ;
- Assembled by high quality components and parts;
- Passed strict safety and performance tests before shipping;
- Operating temperature: $-25 \sim 50$;
- Alloy casing structure, excellent IP65 and heat dissipation function ;
- Easy to maintain with fuse on case;
- Output leads with high heat and high voltage resistance, input leads for power supply with high heat resistance;
- Easy to use and reliable.

产品尺寸图
size



技术参数 data sheet

Ballast					Lamp				
型号 Model	电源电压 Supply voltage (v/Hz)	输入电流 input current (A)	功率因数 power factor cos	产品尺寸 Size(mm)			灯泡类型 bulb type	灯管电流(A) tube current	灯管功率(W) tube power
				a	b	c			
HQBN -35L - S4	220V 50Hz	0.217	0.9	94	211	72	HPS/MH	0.53	35
HQBN -50L - S4	220V 50Hz	0.298	0.9	94	211	72	HPS/MH	0.76	50
HQBN -70L - S4	220V 50Hz	0.419	0.9	94	211	72	HPS/MH	0.98	70
HQBN -100L - S4	220V 50Hz	0.576	0.9	94	211	72	HPS/MH	1.20	100
HQBN -150L - S4	220V 50Hz	0.859	0.9	94	211	72	HPS/MH	1.80	150





HID 灯具系列
HID lighting fixtures series

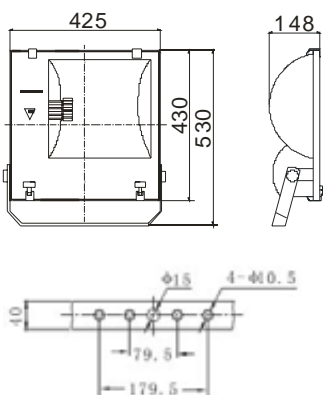
产品特点 Material & Characteristic

- 中国CQC安全认证。
- I级电气绝缘保护。
- 高压铸铝灯体,高能效阳极铝反光器。
- 对称反光器。
- 5mm安全钢化玻璃。
- 颜色:灰白色
- The safety certification CQC of China
- Class I electrical insulation protection
- High - pressure die - cast aluminum body, high efficacy reflector in positive pole.
- Can be chosen and asymmetric
- 5mm safe reinforced glass

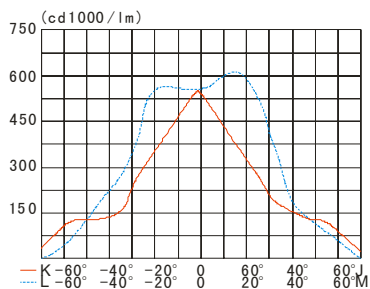
应用范围 Applications

- 建筑物、体育场、广场、码头、绿化照明、广告、大厦外景、车站、铁路、隧道、港口等户外照明。
- Buildings, stadiums, squares, docks, green lighting, advertising, building outlines, stations, railways, tunnels, ports and other outdoor lighting.

产品尺寸 size



配光曲线 Luminous intensity curve



技术参数 Product Parameter



型号 Model	光源/灯功率 lamp	灯头 Base	电压/频率 Voltage & frequency
CNLBN -250L/CNL03	HPS 250W	E40	220V/50Hz
CNLBG -250L/CNL03	MH 250W	E40	220V/50Hz
CNLBG -400L/CNL03	MH 400W	E40	220V/50Hz

泛光灯系列 CNL73
Floodlighting luminaire series

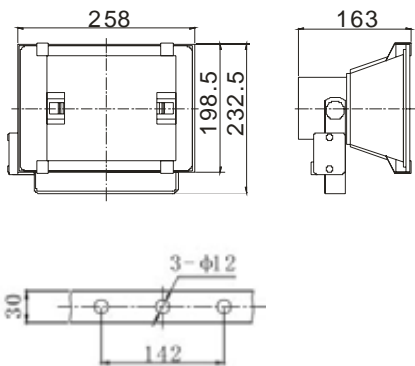
产品特点 Material & Characteristic

- 浇注铝合金成型联体电器箱。
- 专为窄光束, 中光束设计的阳极氧化铝反射器。
- 耐高温硅橡胶密封带和钢化玻璃。
- 较高的防水, 防尘等级。
- 颜色: 灰白色
- United gear box shaped with aluminum alloy.
- positive pole alumina reflector designed only for narrow and medium light beam.
- silicon rubber airtight band with heat resisting and toughened glass.
- High class of waterproof and dustproof.

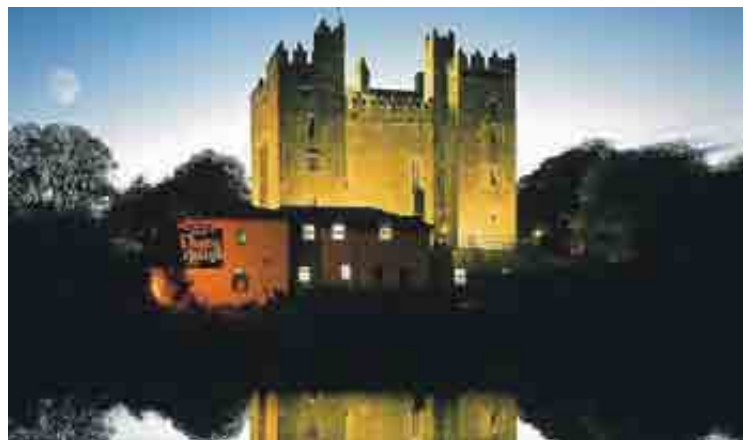
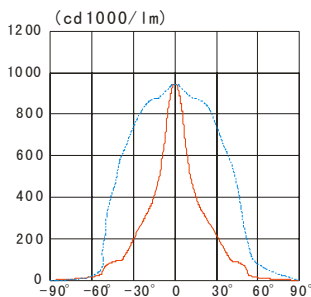
应用范围 Applications

- 建筑物、体育场、广场、码头、绿化照明、广告、大厦外景、车站、铁路、隧道、港口等户外照明。
- Buildings, stadiums, squares, docks, green lighting, advertising, building outlines, stations, railways, tunnels, ports and other outdoor lighting.

产品尺寸 size



配光曲线 Luminous intensity curve



技术参数 Product Parameter IP65

型号 Model	光源/灯功率 lamp	灯头 Base	电压/频率 Voltage & frequency
CNLBN-70L/CNL73	MH/HPS 70W	Rx7s/E27	220V/50Hz
CNLBN-150L/CNL73	MH/HPS 150W	Rx7s/E27	220V/50Hz

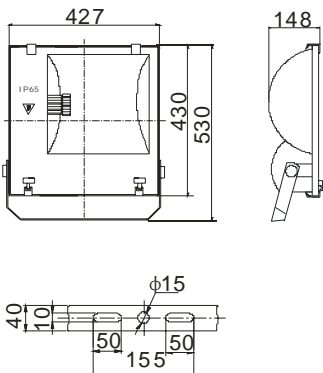
产品特点 Material & Characteristic

- 中国CQC安全认证。
- I级电气绝缘保护。
- 高压铸铝灯体,高光效阳极铝反光器。
- 对称反光器。
- 5mm安全钢化玻璃。
- The safety certification CQC of China
- Class I electrical insulation protection
- High -pressure die - cast aluminum body, high efficacy reflector in positive pole.
- Can be chosen and asymetric
- 5mm safe reinforced glass

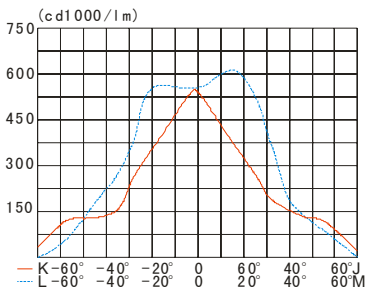
应用范围 Applications

- 建筑物、体育场、广场、码头、绿化照明、广告、大厦外景、车站、铁路、隧道、港口等户外照明。
- Buildings, stadiums, squares, docks, green lighting, advertising, building outlines, stations, railways, tunnels, ports and other outdoor lighting.

产品尺寸 size



配光曲线 Luminous intensity curve



技术参数 Product Parameter



型号 Model	光源/灯功率 lamp	灯头 Base	电压/频率 Voltage & frequency
HQBN-250L/FG01B	HPS 250W	E40	220V/50Hz
HQBN-400L/FG01B	HPS 400W	E40	220V/50Hz
HQBG-250L/FG01B	MH 250W	E40	220V/50Hz
HQBG-400L/FG01B	MH 400W	E40	220V/50Hz

泛光灯系列 FG02A
Floodlighting luminaire series

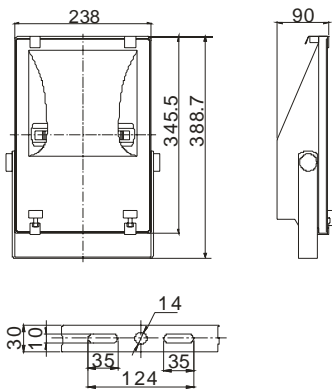
产品特点 Material & Characteristic

- 中国CQC安全认证。
- I级电气绝缘保护。
- 高压铸铝灯体,高光效阳极铝反光器。
- 对称反光器。
- 5mm安全钢化玻璃。
- The safety certification CQC of China
- Class I electrical insulation protection
- High - pressure die - cast aluminum body, high efficacy reflector in positive pole.
- Can be chosen and asymmetric
- 5mm safe reinforced glass

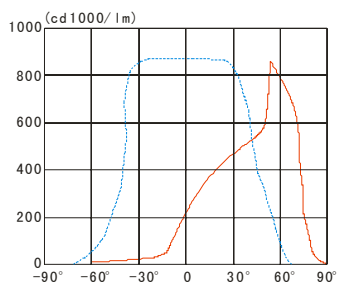
应用范围 Applications

- 建筑物、体育场、广场、码头、绿化照明、广告、大厦外景、车站、铁路、隧道、港口等户外照明。
- Buildings, stadiums, squares, docks, green lighting, advertising, building outlines, stations, railways, tunnels, ports and other outdoor lighting.

产品尺寸 size



配光曲线 Luminous intensity curve



技术参数 Product Parameter

IP65

型号 Model	光源/灯功率 lamp	灯头 Base	电压/频率 Voltage & frequency
HQBN-70L/FG02A	MH/HPS 70W	Rx7s/E27	220V/50Hz
HQBN-150L/FG02A	MH/HPS 150W	Rx7s/E27	220V/50Hz

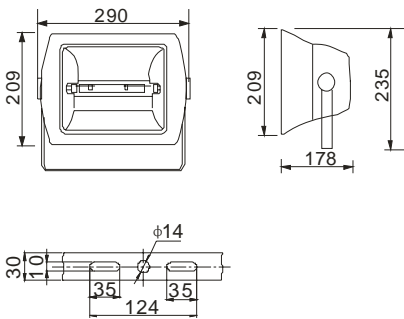
产品特点 Material & Characteristic

- 浇注铝合金成型联体电器箱。
- 专为窄光束, 中光束设计的阳极氧化铝反射器。
- 耐高温硅橡胶密封带和钢化玻璃。
- 较高的防水, 防尘等级。
- United gear box shaped with aluminum alloy.
- positive pole alumina reflector designed only for narrow and medium light beam.
- silicon rubber airtight band with heat resisting and toughened glass.
- High class of waterproof and dustproof.

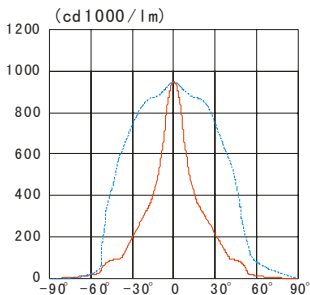
应用范围 Applications

- 建筑物、体育场、广场、码头、绿化照明、广告、大厦外景、车站、铁路、隧道、港口等户外照明。
- Buildings, stadiums, squares, docks, green lighting, advertising, building outlines, stations, railways, tunnels, ports and other outdoor lighting.

产品尺寸 size



配光曲线 Luminous intensity curve



技术参数 Product Parameter

IP65

型号 Model	光源/灯功率 lamp	灯头 Base	电压/频率 Voltage & frequency
HQBN- 70L/FG10	MH/HPS 70W	Rx7s/E27	220V/50Hz
HQBN- 150L/FG10	MH/HPS 150W	Rx7s/E27	220V/50Hz

泛光灯具系列 FG20
Floodlighting luminaire series

产品特点 Material & Characteristic

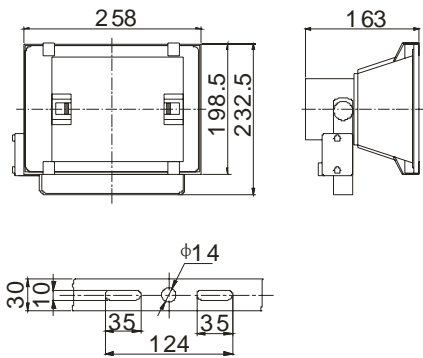
- 浇注铝合金成型联体电器箱。
- 专为窄光束, 中光束设计的阳极氧化铝反射器。
- 耐高温硅橡胶密封带和钢化玻璃。
- 较高的防水, 防尘等级。
- United gear box shaped with aluminum alloy.
- positive pole alumina reflector designed only for narrow and medium light beam.
- silicon rubber airtight band with heat resisting and toughened glass.
- High class of waterproof and dustproof.

应用范围 Applications

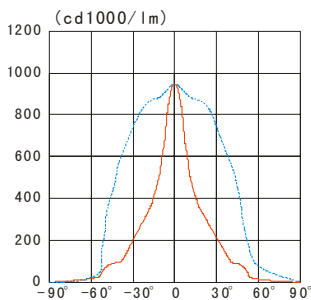
- 建筑物、体育场、广场、码头、绿化照明、广告、大厦外景、车站、铁路、隧道、港口等户外照明。
- Buildings, stadiums, squares, docks, green lighting, advertising, building outlines, stations, railways, tunnels, ports and other outdoor lighting.



产品尺寸 size



配光曲线 Luminous intensity curve



技术参数 Product Parameter

IP65

型号 Model	光源/灯功率 lamp	灯头 Base	电压/频率 Voltage & frequency
HQBN-70L/FG20	MH/HPS 70W	Rx7s/E27	220V/50Hz
HQBN-150L/FG20	MH/HPS 150W	Rx7s/E27	220V/50Hz

产品特点 Material & Characteristic

- 高压压铸铝成型外壳，外部静电喷涂处理。
- 进口高纯铝制反射器，对称型配光。
- 内置遮光板，使投光光束集中，提高光线利用效率，并有效防止眩光和光污染。
- 耐高温硅橡胶密封带和钢化玻璃。
- 灯具内侧附有刻度板，方便调整照射角度。
- 背后开启式更换灯泡，方便维护。
- High - pressure die - casting aluminum shell, external static spraying processing.
- Impored high - purity aluminum reflector, symmetric light distribution.
- Built - in plate to concentrate the vote - ray beam which improves the light efficiency and effectively prevent glare and light pollution.
- High temperature resistant silicon rubber sealing and tempered glass.
- Calibration plate inside the luminaire to facilitate angle adjustment.
- Back cover open design for light source replacement and easy maintenance.

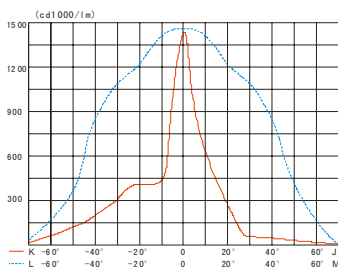
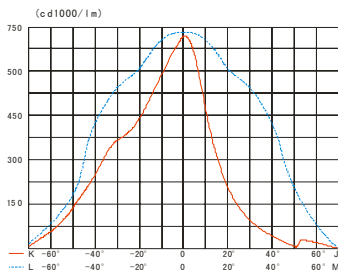


应用范围 Applications

- 建筑物、体育场、广场、码头、绿化照明、广告、大厦外景、车站、铁路、隧道、港口等户外照明。
- Buildings, stadiums, squares, docks, green lighting, advertising, building outlines, stations, railways, tunnels, ports and other outdoor lighting.

建议配套我司电器箱 - K箱
It is recommended to use
Huaquan gear box model no.
HQBNXXL - K

配光曲线 Luminous intensity curve



技术参数 Product Parameter

IP65

型号 Model	光源/灯功率 lamp	灯头 Base	电压/频率 Voltage & frequency
HQBN - 1000L/FG03	HPS 1000W	E40/X528	220V/50Hz
HQBG - 1000L/FG03	MH 1000W	E40/X528	220V/50Hz
HQBN - 2000L/FG03	MH 2000W	X528	220V/50Hz

产品特点 Material & Characteristic



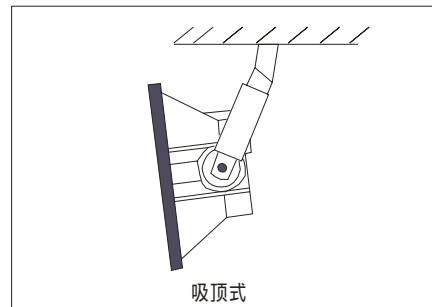
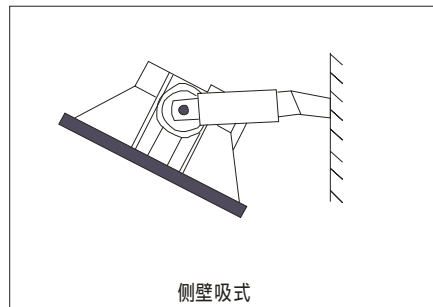
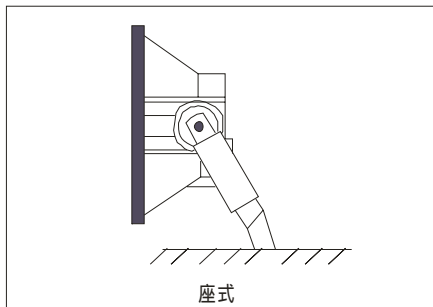
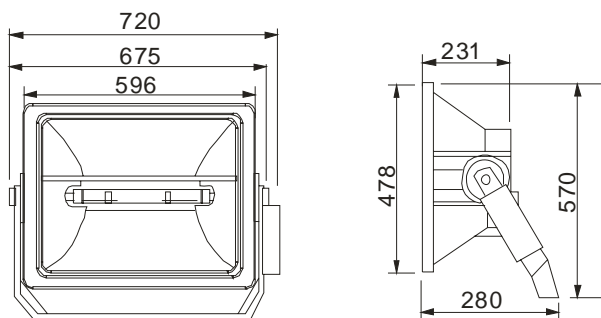
光源安装步骤：

- 步骤一：用小号一字螺丝刀打开灯具背后两个压扣，如图1所示。
- 步骤二：用十字螺丝刀松开两个压扣下的紧锁螺丝以打开灯具的后盖。
- 步骤三：松开灯具压扣后如图3所示向上打开灯具后盖。
- 步骤四：按图4所示把光源装入灯座内，注意：安装光源时请先戴上布质手套以保护光源。
- 步骤五：安装好光源后，把后盖合上并上好紧锁螺丝，如图5所示用力把压扣扣紧后盖。
- 步骤六：用十字螺丝刀如图6所示将密封盒打开，将外部电缆穿过防水接头，并将线接好。

Lamp installation steps:

- Step One: Use small screwdriver to open the two buttons on back cover, as shown in Figure 1.
- Step Two: Cross screwdriver to loose the locking screw under two pressing buttons under to open the rear lamp cover.
- Step three: Loose two pressing buttons to open up the rear lamp cover as shown in Figure 3.
- Step four: As shown in Figure 4, screw the light source into the lamp holder. Note: Please wear the cloth gloves to protect the lamp.
- Step Five: Close the rear cover and tight the locking screw after light source is installed. Press the pressing button and lock the rear cover as shown in Figure 5.
- Step Six: Use cross screwdriver shown in Figure 6 to open the sealed box. Put the outside cable through the water - proof connectors, and connect it well.

灯具尺寸及安装方式：Luminaire installation:



产品特点 Material & Characteristic

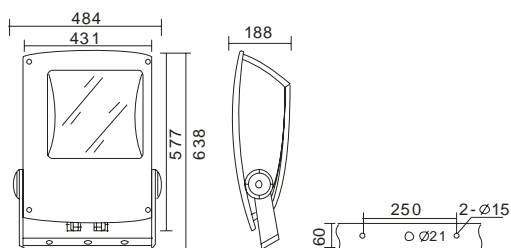
- 产品外壳为优质压铸铝底壳。
- 灯具电器一体化设计，安装维护方便。
- 5mm厚钢化玻璃，耐高温、抗冲击。
- 产品电气绝缘等级：I级。
- 对称或非对称反光器。
- 优质硅橡胶密封圈，耐高温、耐老化。
- High-quality die-casting aluminum shell as luminaire body.
- Integration of electrical parts and luminaire design, easy installation and convenient maintenance.
- 5mm thick tempered glass, high temperature resistance and impact resistance.
- Electrical insulation protection: Grade I level.
- Symmetry or asymmetrical reflector.
- High-quality silicone rubber seals, high temperature, anti-aging.

应用范围 Applications

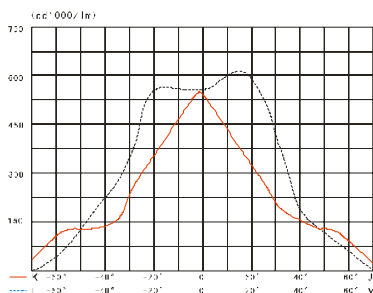
- 建筑物、体育场、广场、码头、绿化照明、广告、大厦外景、车站、铁路、隧道、港口等户外照明。
- Buildings, stadiums, squares, docks, green lighting, advertising, building outlines, stations, railways, tunnels, ports and other outdoor lighting.



产品尺寸 size



配光曲线 Luminous intensity curve



技术参数 Product Parameter



型号 Model	光源/灯功率 lamp	灯头 Base	电压/频率 Voltage & frequency
HQBN-250L/FG05	HPS 250W	E40	220V/50Hz
HQBN-400L/FG05	HPS 400W	E40	220V/50Hz
HQBG-250L/FG05	MH 250W	E40	220V/50Hz
HQBG-400L/FG05	MH 400W	E40	220V/50Hz

泛光灯系列 FG06
Floodlighting luminaire series

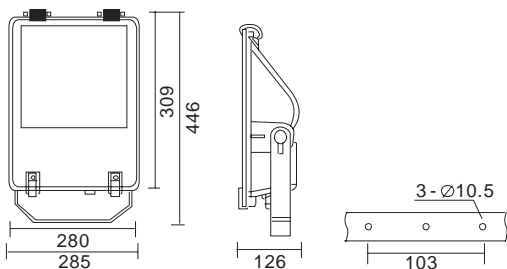
产品特点 Material & Characteristic

- 产品外壳为优质压铸铝底壳。
- 灯具电器一体化设计，安装维护方便。
- 5mm厚钢化玻璃，耐高温、抗冲击。
- 产品电气绝缘等级：I级。
- 对称或非对称反光器。
- 优质硅橡胶密封圈，耐高温、耐老化。
- High - quality die - casting aluminum shell as luminaire body.
- Integration of electrical parts and luminaire design, easy installation and convenient maintenance.
- 5mm thick tempered glass, high temperature resistance and impact resistance.
- Electrical insulation protection: Grade I level.
- Symmetry or asymmetrical reflector.
- High - quality silicone rubber seals, high temperature, anti - aging.

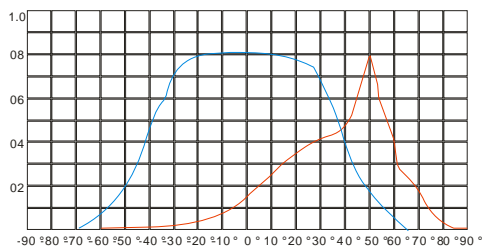
应用范围 Applications

- 建筑物、体育场、广场、码头、绿化照明、广告、大厦外景、车站、铁路、隧道、港口等户外照明。
- Buildings, stadiums, squares, docks, green lighting, advertising, building outlines, stations, railways, tunnels, ports and other outdoor lighting.

产品尺寸 size



配光曲线 Luminous intensity curve



技术参数 Product Parameter

IP65

型号 Model	光源/灯功率 lamp	灯头 Base	电压/频率 Voltage & frequency
HQBN-70L/FG06	MH/HPS 70W	Rx7s	220V/50Hz
HQBN-150L/FG06	MH/HPS 150W	Rx7s	220V/50Hz

产品特点 Material & Characteristic

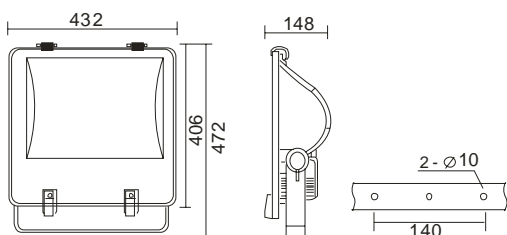
- 产品外壳为优质压铸铝底壳。
- 灯具电器一体化设计，安装维护方便。
- 5mm厚钢化玻璃，耐高温、抗冲击。
- 产品电气绝缘等级：I级。
- 对称或非对称反光器。
- 优质硅橡胶密封圈，耐高温、耐老化。
- High - q quality die - casting aluminum shell as luminaire body.
- Integration of electrical parts and luminaire design, easy installation and convenient maintenance.
- 5mm thick tempered glass, high temperature resistance and impact resistance.
- Electrical insulation protection: Grade I level.
- Symmetry or asymmetrical reflector.
- High - q quality silicone rubber seals, high temperature, anti - aging.

应用范围 Applications

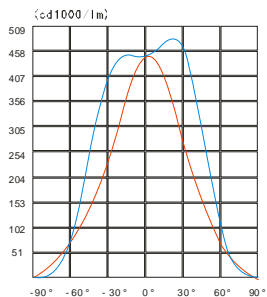
- 建筑物、体育场、广场、码头、绿化照明、广告、大厦外景、车站、铁路、隧道、港口等户外照明。
- Buildings, stadiums, squares, docks, green lighting, advertising, building outlines, stations, railways, tunnels, ports and other outdoor lighting.



产品尺寸 size



配光曲线 Luminous intensity curve



技术参数 Product Parameter

IP65

型号 Model	光源/灯功率 lamp	灯头 Base	电压/频率 Voltage & frequency
HQBN -250L/FG08	HPS 250W	E40	220V/50Hz
HQBN -400L/FG08	HPS 400W	E40	220V/50Hz
HQBG -250L/FG08	MH 250W	E40	220V/50Hz
HQBG -400L/FG08	MH 400W	E40	220V/50Hz

泛光灯系列 FG10-3
Floodlighting luminaire series

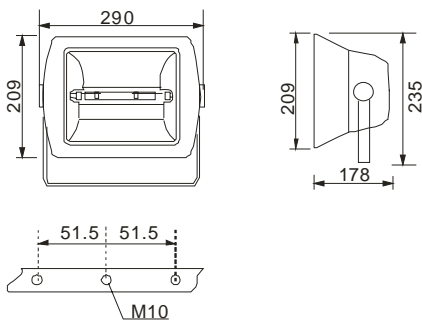
产品特点 Material & Characteristic

- 浇注铝合金成型联体电器箱。
- 专为窄光束, 中光束设计的阳极氧化铝反射器。
- 耐高温硅橡胶密封带和钢化玻璃。
- 较高的防水, 防尘等级。
- united gear box shaped with aluminum alloy.
- positive pole alumina reflector designed only for narrow and medium light beam.
- silicon rubber airtight band with heat resisting and toughened glass.
- High class of waterproof and dustproof.

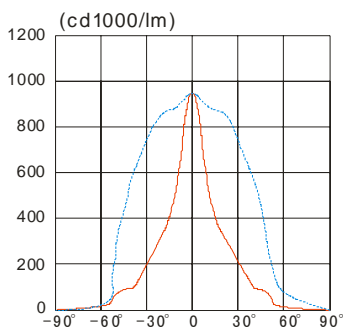
应用范围 Applications

- 建筑物、体育场、广场、码头、绿化照明、广告、大厦外景、车站、铁路、隧道、港口等户外照明。
- Buildings, stadiums, squares, docks, green lighting, advertising, building outlines, stations, railways, tunnels, ports and other outdoor lighting.

产品尺寸 size



配光曲线 Luminous intensity curve



技术参数 Product Parameter IP65

型号 Model	光源/灯功率 lamp	灯头 Base	电压/频率 Voltage & frequency
HQBN-70L/FG10-3	MH/HPS 70W	Rx7s/E27	220V/50Hz
HQBN-150L/FG10-3	MH/HPS 150W	Rx7s/E27	220V/50Hz

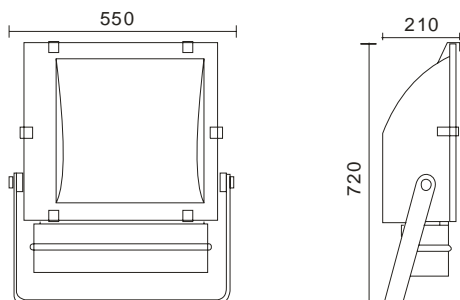
产品特点 Material & Characteristic

- 产品外壳为优质压铸铝底壳。
- 灯具电器一体化设计，安装维护方便。
- 5mm厚钢化玻璃，耐高温、抗冲击。
- 产品电气绝缘等级：I级。
- 对称或非对称反光器。
- 优质硅橡胶密封圈，耐高温、耐老化。
- High-quality die-casting aluminum shell as luminaire body.
- Integration of electrical parts and luminaire design, easy installation and convenient maintenance.
- 5mm thick tempered glass, high temperature resistance and impact resistance.
- Electrical insulation protection: Grade I level.
- Symmetry or asymmetrical reflector.
- High-quality silicone rubber seals, high temperature, anti-aging.

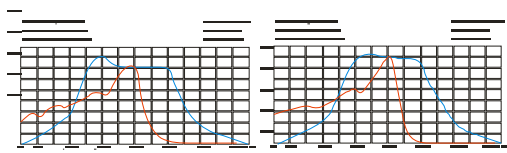
应用范围 Applications

- 建筑物、体育场、广场、码头、绿化照明、广告、大厦外景、车站、铁路、隧道、港口等户外照明。
- Buildings, stadiums, squares, docks, green lighting, advertising, building outlines, stations, railways, tunnels, ports and other outdoor lighting.

产品尺寸 size



配光曲线 Luminous intensity curve



技术参数 Product Parameter

IP65

型号 Model	光源/灯功率 lamp	灯头 Base	电压/频率 Voltage & frequency
HQBN-1000L/FG14	HPS 1000W	E40	220V/50Hz
HQBG-1000L/FG14	MH 1000W	E40	220V/50Hz

泛光灯系列 FG15
Floodlighting luminaire series

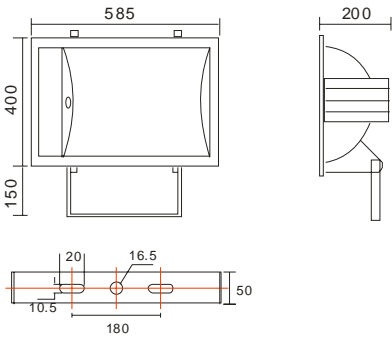
产品特点 Material & Characteristic

- 产品外壳为优质压铸铝底壳。
- 5mm厚钢化玻璃，耐高温、抗冲击。
- 产品电气绝缘等级：I级。
- 对称或非对称反光器。
- 优质硅橡胶密封圈，耐高温、耐老化。
- High - quality die - casting aluminum shell as luminaire body.
- 5mm thick tempered glass, high temperature resistance and impact resistance.
- Electrical insulation protection: Grade I level.
- Symmetry or asymmetrical reflector.
- High - quality silicone rubber seals, high temperature, anti - aging.

应用范围 Applications

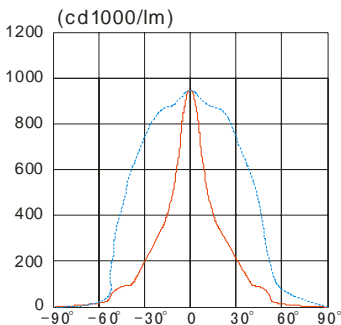
- 建筑物、体育场、广场、码头、绿化照明、广告、大厦外景、车站、铁路、隧道、港口等户外照明。
- Buildings, stadiums, squares, docks, green lighting, advertising, building outlines, stations, railways, tunnels, ports and other outdoor lighting.

产品尺寸 size



建议配套我司电器箱 - K箱
It is recommended to use Huaquan gear box model no. HQBNXXL - K

配光曲线 Luminous intensity curve



技术参数 Product Parameter IP65

型号 Model	光源/灯功率 lamp	灯头 Base	电压/频率 Voltage & frequency
HQBN- 1000L/FG15	HPS 1000W	E40	220V/50Hz
HQBG- 1000L/FG15	MH 1000W	E40	220V/50Hz

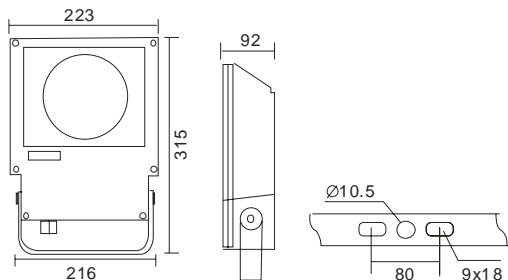
产品特点 Material & Characteristic

- 产品外壳为优质压铸铝底壳。
- 灯具电器一体化设计，安装维护方便。
- 5mm厚钢化玻璃，耐高温、抗冲击。
- 产品电气绝缘等级：I级。
- 优质硅橡胶密封圈，耐高温、耐老化。
- High-quality die-casting aluminum shell as luminaire body.
- Integration of electrical parts and luminaire design, easy installation and convenient maintenance.
- 5mm thick tempered glass, high temperature resistance and impact resistance.
- Electrical insulation protection: Grade I level.
- High-quality silicone rubber seals, high temperature, anti-aging.

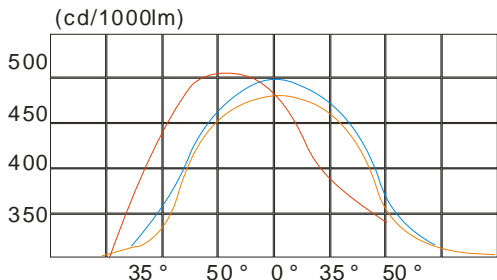
应用范围 Applications

- 建筑物、体育场、广场、码头、绿化照明、广告、大厦外景、车站、铁路、隧道、港口等户外照明。
- Buildings, stadiums, squares, docks, green lighting, advertising, building outlines, stations, railways, tunnels, ports and other outdoor lighting.

产品尺寸 size



配光曲线 Luminous intensity curve



技术参数 Product Parameter

IP65

型号 Model	光源/灯功率 lamp	灯头 Base	电压/频率 Voltage & frequency
HQBN-70L/FG15A	MH/HPS 70W	Rx7s	220V/50Hz

泛光灯系列 FG15B
Floodlighting luminaire series

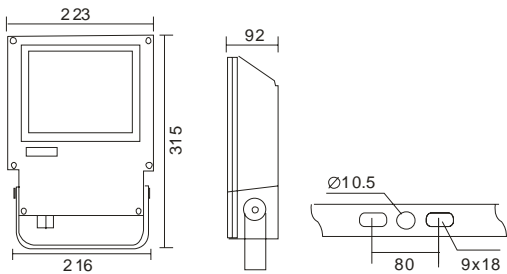
产品特点 Material & Characteristic

- 产品外壳为优质压铸铝底壳。
- 灯具电器一体化设计，安装维护方便。
- 5mm厚钢化玻璃，耐高温、抗冲击。
- 产品电气绝缘等级：I级。
- 优质硅橡胶密封圈，耐高温、耐老化。
- High - quality die - casting aluminum shell as luminaire body.
- Integration of electrical parts and luminaire design, easy installation and convenient maintenance.
- 5mm thick tempered glass, high temperature resistance and impact resistance.
- Electrical insulation protection: Grade I level.
- High - quality silicone rubber seals, high temperature, anti - aging.

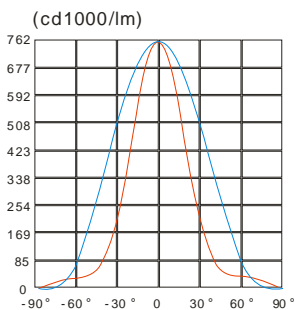
应用范围 Applications

- 建筑物、体育场、广场、码头、绿化照明、广告、大厦外景、车站、铁路、隧道、港口等户外照明。
- Buildings, stadiums, squares, docks, green lighting, advertising, building outlines, stations, railways, tunnels, ports and other outdoor lighting.

产品尺寸 size



配光曲线 Luminous intensity curve



技术参数 Product Parameter IP65

型号 Model	光源/灯功率 lamp	灯头 Base	电压/频率 Voltage & frequency
HQBN-70L/FG15B	MH/HPS 70W	Rx7s	220V/50Hz

产品特点 Material & Characteristic

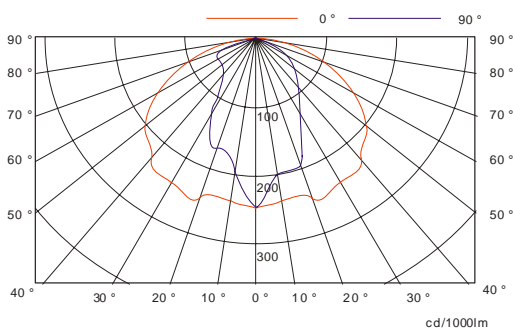
- 铸铝合金外壳，压铸成型，表面经静电喷塑，结构轻巧。
- 透明件采用优质防眩钢化玻璃，具有防眩光，抗紫外线功能能有效减少对在场人员眼睛的刺激，避免产生不适和疲劳感。
- 照明角度大，范围广，光线均匀柔和。
- 灯具与电器箱为一体设计，连接简单，维护方便。
- 吸顶式、侧壁挂式等多种安装方式，适应各种不同的工作环境。
- Cast aluminum, die-casting molding, the surface treated by electrostatic spray, lightweight structure.
- High-quality pieces of optical glass anti-glare with functions of anti-glare light and anti-ultraviolet that can effectively reduce discomfort and fatigue to eyes of the staff on spot.
- Wide lighting scope, extensive coverage and uniform soft light.
- Integration of electrical parts and luminaire design, easy installation and convenient maintenance.
- Can be ceiling or wall installation, etc. Adaptive to different working environment.



应用范围 Applications

- 建筑物、体育场、广场、码头、绿化照明、广告、大厦外景、车站、铁路、隧道、港口等户外照明。
- Buildings, stadiums, squares, docks, green lighting, advertising, building outlines, stations, railways, tunnels, ports and other outdoor lighting.

配光曲线 Luminous intensity curve

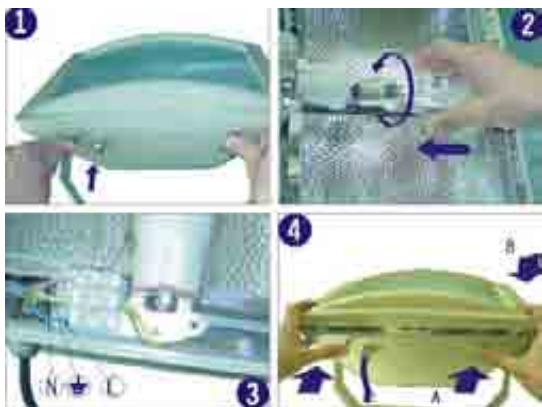


技术参数 Product Parameter

IP65

型号 Model	光源/灯功率 lamp	灯头 Base	电压/频率 Voltage & frequency
HQBN-70L/FG21	MH/HPS 70W	E27	220V/50Hz
HQBN-100L/FG21	MH/HPS 100W	E27	220V/50Hz
HQBN-150L/FG21	MH/HPS 150W	E27	220V/50Hz

光源安装步骤 Lamp installation steps:



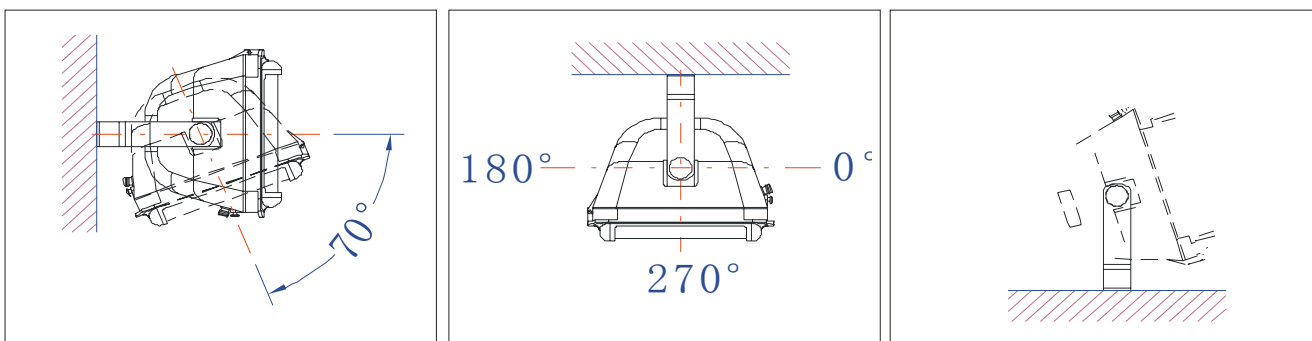
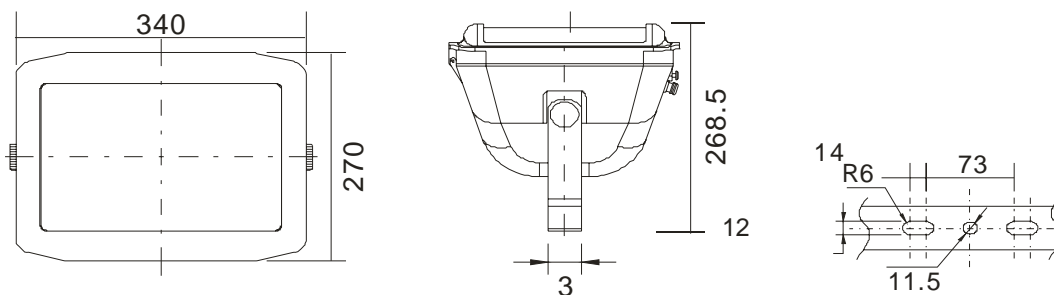
光源安装步骤：

步骤一：用手按图1所示按下灯具面盖的开关器，灯具面盖即可打开。
步骤二：灯具面盖打开后请按图2所示把光源装入灯座内，注意：安装光源时请先带上布质手套以保护光源。
步骤三：光源装好后，把外部电缆穿过防水接头再按接线标示接入接线端子内。
步骤四：电源线接好后合上灯具面盖，注意必须先按下开关器把弹扣向后顶开，让灯具面盖的铝口落在弹扣的前面，然后才能把面盖合上，否则会出现面盖合不上的现象，顺序如图A,B所示。

Lamp installation steps:

Step One: Manually press the luminaire surface covered switch shown in Figure 1. Then the cover is open.
Step Two: Put the light source into the lamp holder as shown in Figure 2 when the cover is open. Note: Please wear the cloth gloves to protect the lamp.
Step three: After fixing the lamp, put the cable through the waterproof external wiring connectors and then connect to terminal blocks as per the wiring diagram.
Step four: After connection of the power cord then close the cover. Firstly please press the switch back to the top button open shell, so that the aluminum cover surface missle landed in front of the deductions, and then close the cover. Other wise they will the cover cannot close. The steps show in Figure A, B.

灯具尺寸及安装方式 Luminaire installation:



产品特点 Material & Characteristic

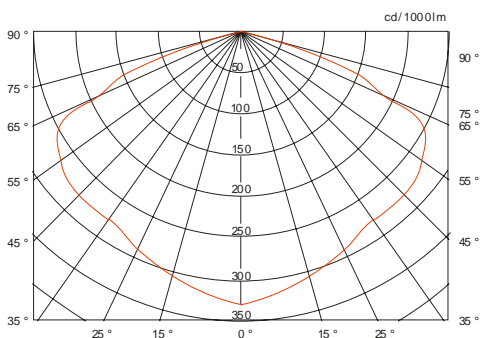
- 采用高光效、长寿命气体放电灯作电光源，选用进口高纯铝阳极氧化材料做反射镜并通过精确配光设计，功率因数0.90，反光效率高，透光性好，节能环保。
 - 优质铝压铸成型灯体，灯具与电器箱一体化设计，美观大方，安装，维护方便。
 - 采用可回收轻质合金环保材料和高科技喷涂技术，防尘防水，防腐防锈，可在高温潮湿和腐蚀性等恶劣环境中长期使用。
 - 良好的电磁兼容性，不会对输入电网造成干扰。
 - 5mm厚防眩钢化玻璃，达到防眩光效果，能有效减少对在场人员眼睛的刺激，避免产生不适和疲劳感。可选择对称、非对称配光。
 - 多种安装方式，适应不同工作现场的照明需求。
- High luminous efficiency and long-life discharge lamps as the light source. Imported high-purity aluminum anodizing materials as reflector and precise optical design and power factor 0.90, high efficiency reflection, good light transmission, energy saving and environment friendly.
 - High-quality aluminum die-casting as the luminaire shell.
 - Luminaire and electrical box integration design, elegant appearance, easy installation and convenient maintenance.
 - Light weight alloy using recyclable materials and environmental friendly high-tech spray technology, water-proof, dust-proof and rust resistant. Can be used in hot, humid or corrosive and other adverse environment for long-term use.
 - Good electromagnetic compatibility and will not interfere with the input grid.
 - 5mm thick tempered glass light glare for anti-glare optical effect High-quality pieces of optical glass glare with functions of anti-glare light and anti-ultraviolet that can effectively reduce discomfort and fatigue to eyes of the staff on spot.
 - Install a variety of ways to meet the different needs of the scene lighting.



应用范围 Applications

- 建筑物、体育场、广场、码头、绿化照明、广告、大厦外景、车站、铁路、隧道、港口等户外照明。
- Buildings, stadiums, squares, docks, green lighting, advertising, building outlines, stations, railways, tunnels, ports and other outdoor lighting.

配光曲线 Luminous intensity curve



技术参数 Product Parameter

IP65

型号 Model	光源灯功率 lamp	灯头 Base	电压/频率 Voltage & frequency
HQBG-250L/FG24	MH 250W	E40	220V/50Hz
HQBG-250L/FG24	MH 400W	E40	220V/50Hz

光源安装步骤 Lamp installation steps:



光源安装步骤：

步骤一：用小号一字螺丝刀打开灯具四个压扣，如图1所示。

步骤二：松开灯具压扣后如图2所示向后打开灯具面盖。

步骤三：按图3所示把光源装入灯座内，注意：安装光源时请先戴上布质手套以保护光源。

步骤四：用十字螺丝刀松开灯具接线盒的螺丝，打开接线盒的盒盖。

步骤五：将外部电缆穿过防水接头以及压线码，然后再按接线标示接入接线端子内，电缆接好后拧紧压线码螺丝以及防水接头的锁紧螺帽，然后盖上接线盒盒盖。

Lamp installation steps:

Step One: Use small screwdriver to open the word with four pressure lamp button, as shown in Figure 1.

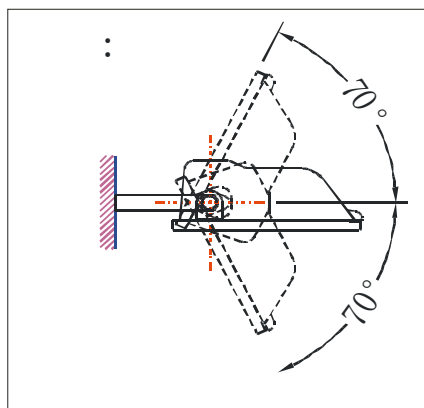
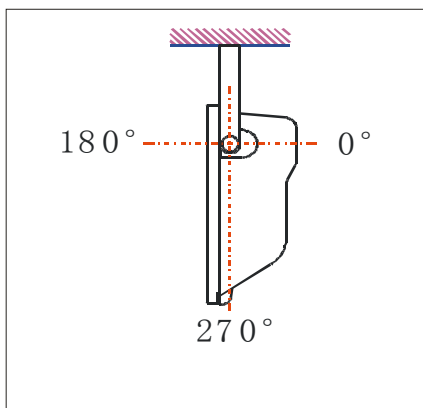
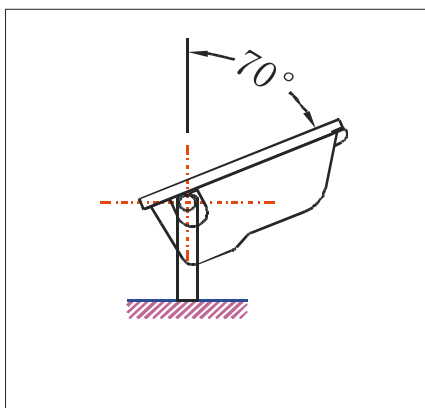
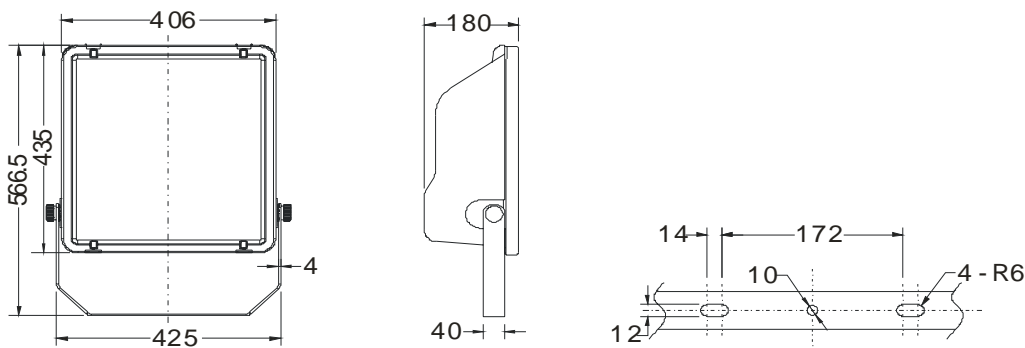
Step Two: Loose the button as shown in Figure 2 and open the cover backwards.

Step three: As shown in Figure 3, put the light source into the lamp holder. Note: Please wear the cloth gloves to protect the lamp.

Step four: Use the cross screwdriver to loose screws in lamp wiring box, and open the lid.

Step Five: Put the external cable through the waterproof connector and through the pressure line code, and then connect to wiring terminals. Screw tight of pressed wire screw and waterproof connector screws of the locking nut and then close the lid of wiring box.

灯具尺寸及安装方式 Luminaire installation:



产品特点 Material & Characteristic

- 采用高光效、长寿命气体放电灯作电光源，选用进口高纯铝阳极氧化材料做反射镜并通过精确配光设计，功率因数 0.90，反光效率高，透光性好，节能环保。
- 优质铝压铸成型灯体，灯具与电器箱一体化设计，美观大方，安装，维护方便。
- 采用可回收轻质合金环保材料和高科技喷涂技术，防尘防水，耐腐蚀锈，可在高温潮湿和腐蚀性等恶劣环境中长期使用。
- 良好的电磁兼容性，不会对输入电网造成干扰。
- 5mm厚钢化玻璃，可选择对称、非对称配光。
- 多种安装方式，适应不同工作现场的照明需求。

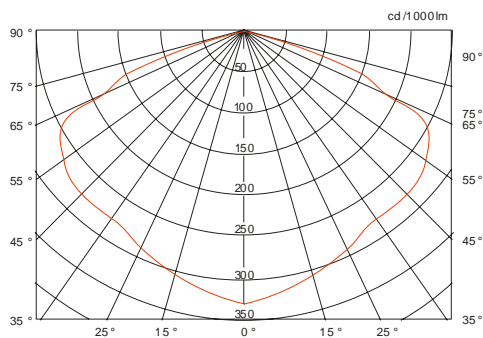
- High luminous efficiency and long-life discharge lamps as the light source. Imported high-purity aluminum anodizing materials as reflector and precise optical design and power factor 0.90, high efficiency reflection, good light transmission, energy saving and environment friendly.
- High-quality aluminum die-casting as the luminaire shell.
- Luminaire and electrical box integration design, elegant appearance, easy installation and convenient maintenance.
- Light weight alloy using recyclable materials and environmental friendly high-tech spray technology, water-proof, dust-proof and rust resistant. Can be used in hot, humid or corrosive and other adverse environment for long-term use.
- Good electromagnetic compatibility and will not interfere with the input grid.
- 5mm thick tempered glass.
- Install a variety of ways to meet the different needs of the scene lighting.



应用范围 Applications

- 建筑物、体育场、广场、码头、绿化照明、广告、大厦外景、车站、铁路、隧道、港口等户外照明。
- Buildings, stadiums, squares, docks, green lighting, advertising, building outlines, stations, railways, tunnels, ports and other outdoor lighting.

配光曲线 Luminous intensity curve

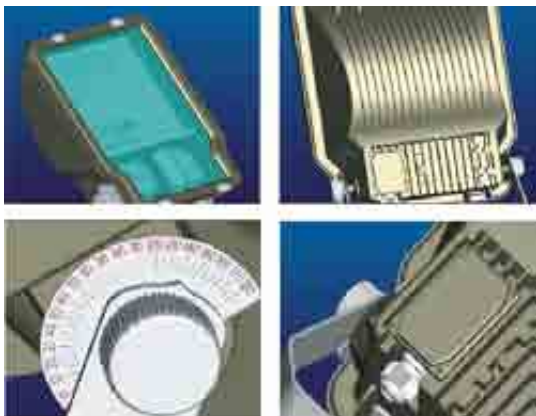


技术参数 Product Parameter

IP65

型号 Model	光源/灯功率 lamp	灯头 Base	电压/频率 Voltage & frequency
HQBN-70L/FG28A	MH/HPS 70W	E27	220V/50Hz
HQBN-100L/FG28A	MH/HPS 100W	E27	220V/50Hz
HQBN-150L/FG28A	MH/HPS 150W	E27	220V/50Hz

光源安装步骤 Lamp installation steps:



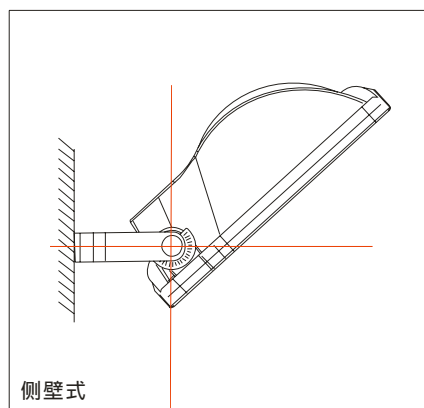
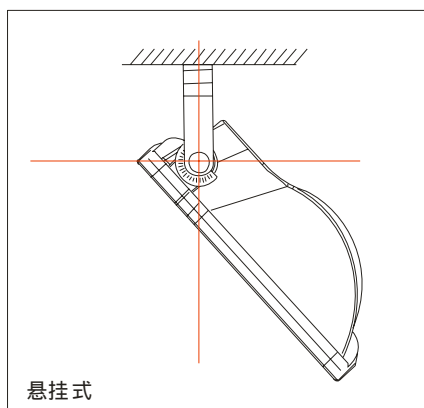
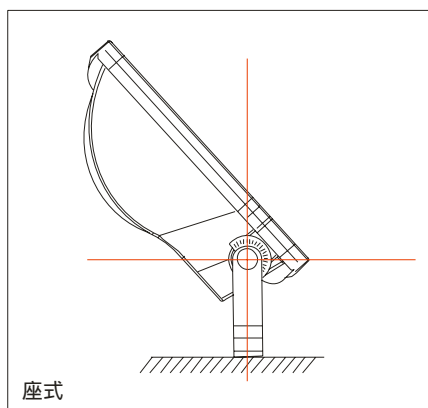
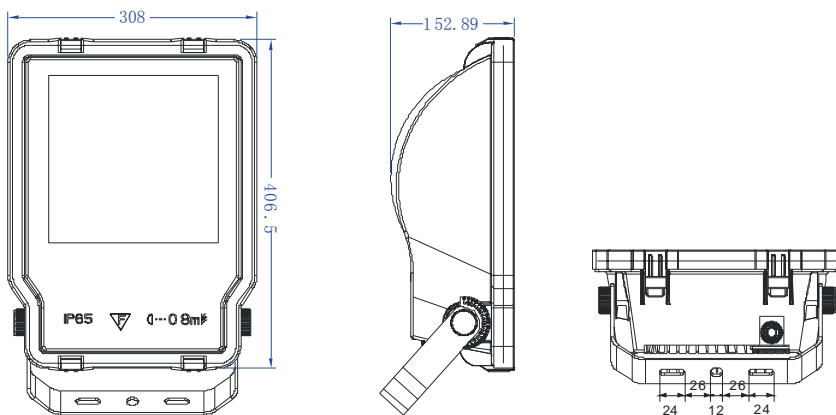
产品主要功能

- 灯具带有压铸面盖，能保证防水等级真正的达到 Ip65。
- 光源腔散热筋、电器腔散热筋，电器将直接安装在散热筋表面，确保电器温升符合标准要求。
- 安装支架设计有刻度盘，方便用户调整灯具角度。
- 外置式防水接线盒，用户接线更方便

Material & Characteristic

- Fixture with die - cast cover, ensure meet Ip65.
- With heat dissipation vein design, install electrical components on it, ensure temperature rise meet standard requirement.
- Dial on mounting bracket, easy to adjust fixture's angle.
- Outside water - proof junction box, convenient for connecting wires.

灯具尺寸及安装方式 Luminaire installation:



泛光灯系列 FG29
Floodlighting luminaire series

产品特点 Material & Characteristic

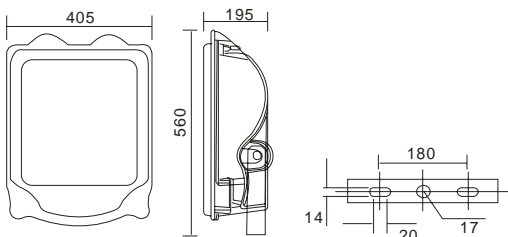
- 采用特制的光效高、寿命长的气体放电灯作光源，质量可靠。
- 反光罩采用漫反射和保护角设计，有效地防止眩光。
- 外壳选用高强度合金材料，具有较强的抗冲击能力；结构采用优化设计，防护等级达到IP65。
- 壳体底部设计有呼吸孔装置，加强热量交换，具有优良的散热效果，既延长了内部元件的使用寿命，又能够有效地防止水的进入。
- 内部走线牢固可靠，熔断器的设计让产品更安全。
- 可适应壁挂式和吸顶式等多种安装方式，照射的角度可根据实际使用的需要进行大范围的调节。
- 可根据现场的需要选配 10-14mm 等不同线径的电缆，并且可以实现多灯同时并联使用。



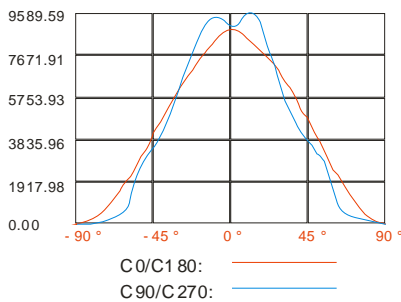
应用范围 Applications

- 建筑物、体育场、广场、码头、绿化照明、广告、大厦外景、车站、铁路、隧道、港口等户外照明。
- Buildings, stadiums, squares, docks, green lighting, advertising, building outlines, stations, railways, tunnels, ports and other outdoor lighting.

产品尺寸 size



配光曲线 Luminous intensity curve



技术参数 Product Parameter



型号 Model	光源/灯功率 lamp	灯头 Base	电压/频率 Voltage & frequency
HQBN-250L/FG29	HPS 250W	E40	220V/50Hz
HQBN-400L/FG29	HPS 400W	E40	220V/50Hz
HQBG-250L/FG29	MH 250W	E40	220V/50Hz
HQBG-400L/FG29	MH 400W	E40	220V/50Hz

泛光灯具系列 FG30
Floodlighting luminaire series

产品特点 Material & Characteristic

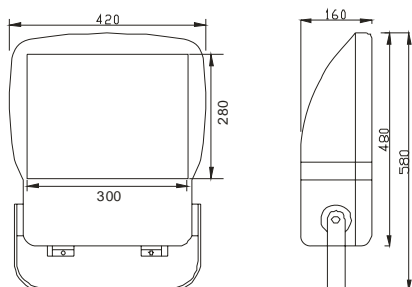
- 采用特制的光效高、寿命长的气体放电灯作光源，质量可靠。
- 反光罩采用漫反射和保护角设计，有效地防止眩光。
- 外壳选用高强度合金材料，具有较强的抗冲击能力；结构采用优化设计，防护等级达到IP65。
- 壳体底部可以安装呼吸器，加强热量交换，具有优良的散热效果，既延长了内部元件的使用寿命，又能够有效地防止水的进入。
- 内部走线牢固可靠，熔断器的设计让产品更安全。
- 可适应壁挂式和吸顶式等多种安装方式，照射的角度可根据实际使用的需要进行大范围的调节。
- 可根据现场的需要选配 10- 14mm等不同线径的电缆，并且可以实现多灯同时并联使用。



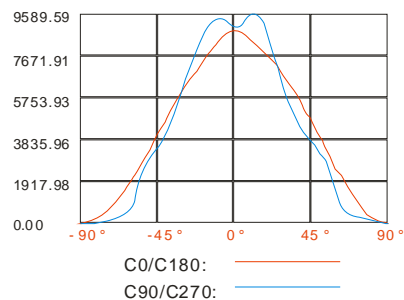
应用范围 Applications

- 建筑物、体育场、广场、码头、绿化照明、广告、大厦外景、车站、铁路、隧道、港口等户外照明。
- Buildings, stadiums, squares, docks, green lighting, advertising, building outlines, stations, railways, tunnels, ports and other outdoor lighting.

产品尺寸 size

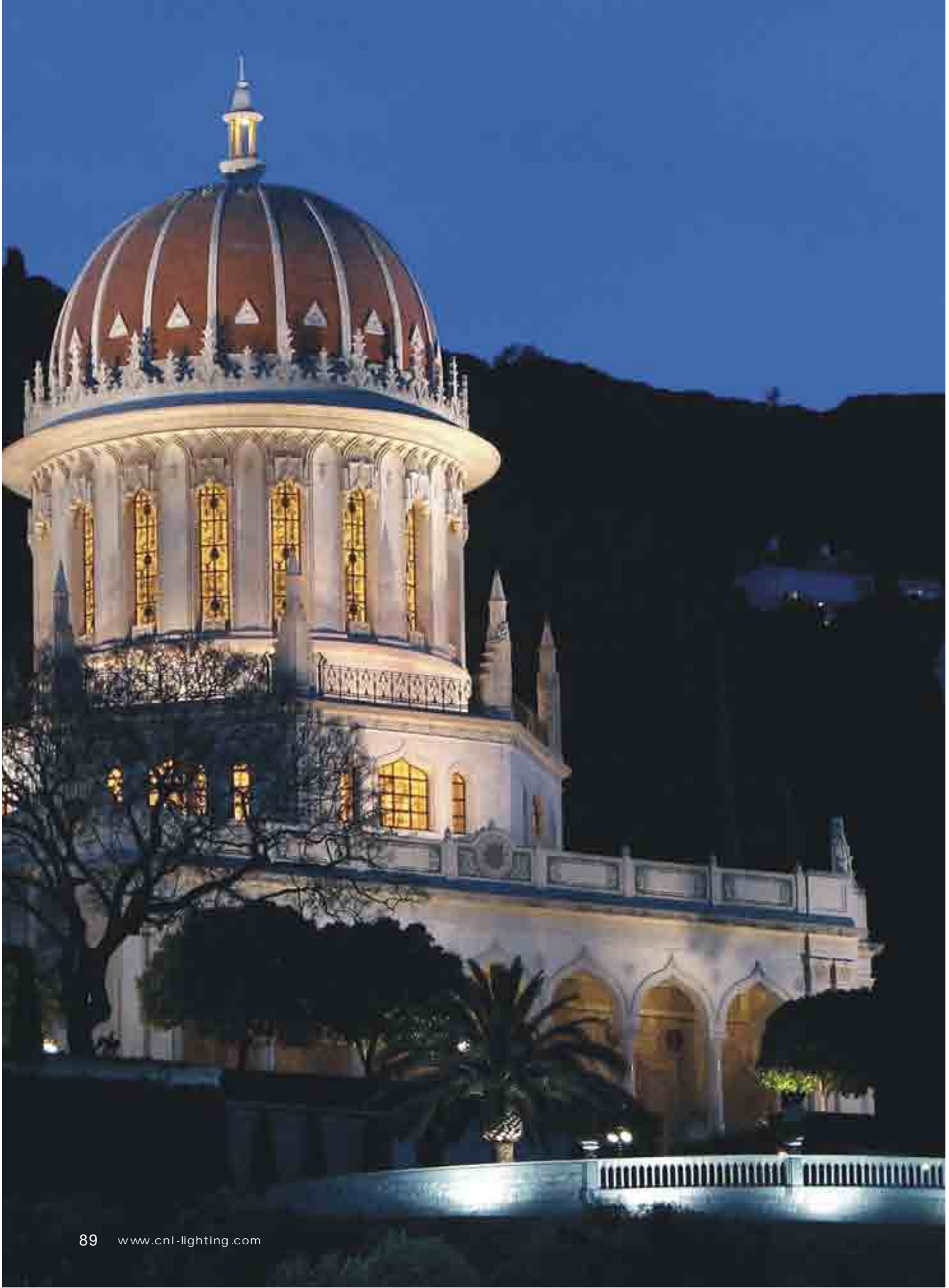


配光曲线 Luminous intensity curve



技术参数 Product Parameter IP65

型号 Model	光源/灯功率 lamp	灯头 Base	电压/频率 Voltage & frequency
HQBN- 250L/FG30	HPS 250W	E40	220V/50Hz
HQBN- 400L/FG30	HPS 400W	E40	220V/50Hz
HQBG- 250L/FG30	MH 250W	E40	220V/50Hz
HQBG- 400L/FG30	MH 400W	E40	220V/50Hz



投光灯具系列 TG104
Projector luminaire series

产品特点 Material & Characteristic

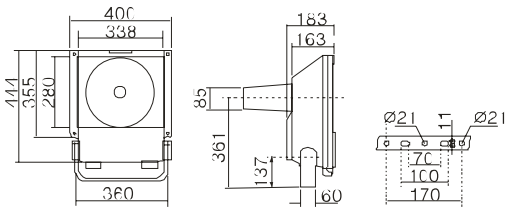
- 高压压铸成型外壳，外部静电喷塑处理。
- 专为窄光束设计的阳极氧化铝反射器。
- 通过前部搭扣可便利地更换灯泡。
- High pressure die - casting aluminum shaped outer shell, spraying plastics surface by electrostatic method.
- Oxidized aluminum reflector in positive pole, which is designed for narrow light beam.
- Exchange the bulb easily via front buckle.

应用范围 Applications

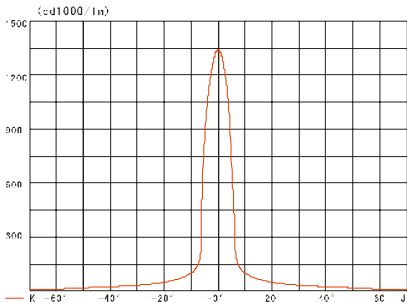
- 建筑物、体育场、广场、码头、绿化照明、广告、大厦外景、车站、铁路、隧道、港口等户外照明。
- Buildings, stadiums, squares, docks, green lighting, advertising, building outlines, stations, railways, tunnels, ports and other outdoor lighting.



产品尺寸 size



配光曲线 Luminous intensity curve



技术参数 Product Parameter IP65

型号 Model	光源/灯功率 lamp	灯头 Base	电压/频率 Voltage & frequency
HQBN-250L/TG104	HPS 250W	E40	220V/50Hz
HQBN-400L/TG104	HPS 400W	E40	220V/50Hz
HQBG-250L/TG104	MH 250W	E40	220V/50Hz
HQBG-400L/TG104	MH 400W	E40	220V/50Hz

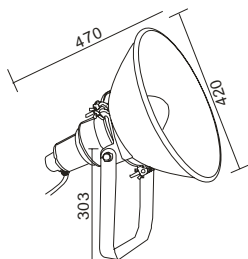
产品特点 Material & Characteristic

- 采用高能效、长寿命气体放电光源，高纯铝反射器，反光效率高。
- 灯具在结构设计上做了特殊处理，以使灯具具有防振、防水功能，确保能在码头、电厂、桥梁等震动场所中使用。
- 高压压铸铝成型外壳，表面聚脂喷塑处理，耐腐蚀。
- 灯具整体温升高，散热性能好。
- 不锈钢配件及喷粉支架。
- High luminous efficiency, long - life gas discharge light source, high - pure aluminum reflector, reflector efficiency.
- Fixture in the structural design of a special treatment done so that the fixture has a vibration proof, water proof features, ensure that can be used in the ports, power plants, bridges and other places where is vibration.
- High - pressure die - casting molding aluminum shell, the surface is polyester spray processing, corrosion - resistant.
- The overall temperature rise is low, good heat dissipation.
- Stainless steel accessories and spray stent.

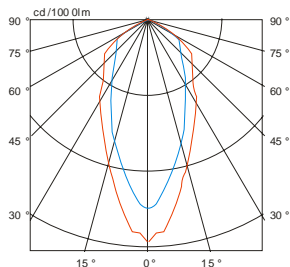
应用范围 Applications

- 建筑物、体育场、广场、码头、绿化照明、广告、大厦外景、车站、铁路、隧道、港口等户外照明。
- Buildings, stadiums, squares, docks, green lighting, advertising, building outlines, stations, railways, tunnels, ports and other outdoor lighting.

产品尺寸 size



配光曲线 Luminous intensity curve



建议配套我司电器箱-K箱
It is recommended to use
Huaquan gear box model no.
HQBNXXL - K



技术参数 Product Parameter



型号 Model	光源/灯功率 lamp	灯头 Base	电压/频率 Voltage & frequency
HQBN -250L/TG114	HPS 250 W	E40	220V/50Hz
HQBN -400L/TG114	HPS 400 W	E40	220V/50Hz
HQBG -250L/TG114	MH 250W	E40	220V/50Hz
HQBG -400L/TG114	MH 400W	E40	220V/50Hz

投光灯具系列 TG106
Projector luminaire series

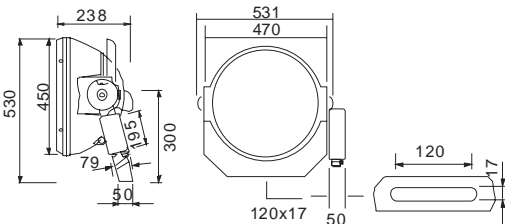
产品特点 Material & Characteristic

- 浇注铝合金成型联体电器箱。
- 专为窄光束,中光束设计的阳极氧化铝反射器。
- 内置遮光板,使投光光束集中,提高光线利用效率,并有效防止眩光和光污染。
- 灯具侧边有刻度,方便调整照射角度。
- 背后开启式更换灯泡,方便维护。
- 较高的防水,防尘等级。
- Casting molding aluminum alloy electrical box conjoined.
- For narrow - beam, medium - beam design in anodized aluminum reflector.
- Built - in shading plate so that the vote - ray beam focused on to improve the light use efficiency, and effectively prevent glare and light pollution.
- Lamps have scale the side to facilitate the adjustment angle.
- Replacement of light bulbs behind the open - style to facilitate maintenance.
- Higher water - proof and dust - proof grade.

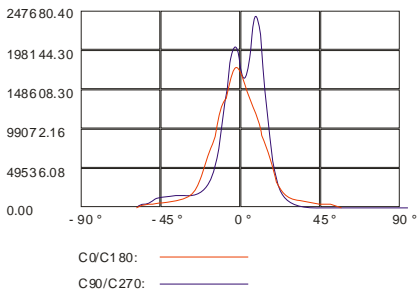
应用范围 Applications

- 建筑物、体育场、广场、码头、绿化照明、广告、大厦外景、车站、铁路、隧道、港口等户外照明。
- Buildings, stadiums, squares, docks, green lighting, advertising, building outlines, stations, railways, tunnels, ports and other outdoor lighting.

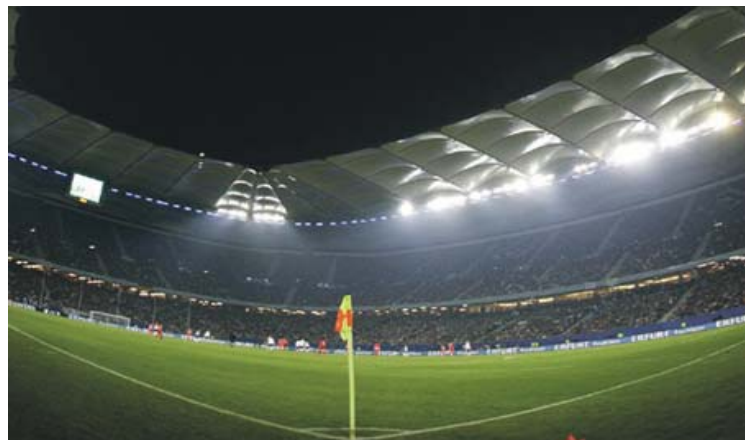
产品尺寸 size



配光曲线 Luminous intensity curve



建议配套我司电器箱 - K箱
It is recommended to use
Huaquan gear box model no.
HQBNXXL - K



技术参数 Product Parameter IP 65

型号 Model	光源/灯功率 lamp	灯头 Base	电压/频率 Voltage & frequency
HQBN - 1000L/TG106	MH 1000W	X528	220V/50Hz

产品特点 Material & Characteristic

- 高压压铸铝灯体，不锈钢防护网。
- 全新设计的椭圆形反射器，体积更小，重量更轻风阻更小，配光效果更好，效率更高。
- 内置遮光板，使投光光束集中，提高光线利用效率，并有效防止眩光和光污染。
- 背后开启式更换灯泡，方便维护，。
- 较高的防水，防尘等级。

- High pressure die-casting aluminum shape, stainless steel protective screening
- The newly designed elliptical reflector is more efficient as it is smaller and lighter with better drag of the air .
- The built-in shading plate is designed for narrow and midst light beam and effectively prevents glare and light pollution
- Light bulbs can be easily replaced in the back
- High waterproof and dust-proof coefficient



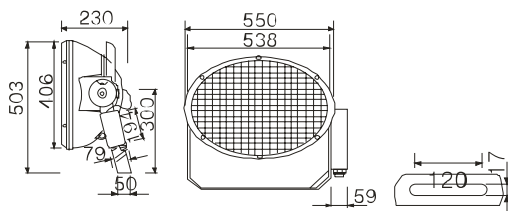
应用范围 Applications

- 建筑物、体育场、广场、码头、绿化照明、广告、大厦外景、车站、铁路、隧道、港口等户外照明。
- Buildings, stadiums, squares, docks, green lighting, advertising, building outlines, stations, railways, tunnels, ports and other outdoor lighting.

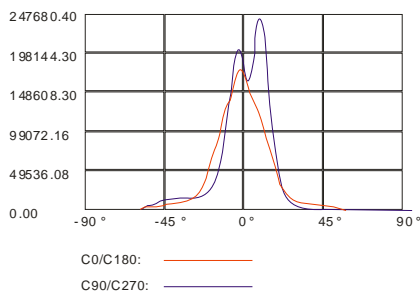


建议配套我司配电箱 - K箱
It is recommended to use
Huaquan gear box model no.
HQBXXL - K

产品尺寸 size



配光曲线 Luminous intensity curve



技术参数 Product Parameter

IP65

型号 Model	光源灯功率 lamp	灯头 Base	电压/频率 Voltage & frequency
HQBN - 1000L/TG108	MH 1000W	X528	220V/50Hz

投光灯具系列 TG109
Projector luminaire series

产品特点 Material & Characteristic

- 高压压铸铝灯体，不锈钢防护网。
- 全新设计的椭圆形反射器，体积更小，重量更轻风阻更小，配光效果更好，效率更高。
- 内置遮光板，使投光光束集中，提高光线利用效率，并有效防止眩光和光污染。
- 背后开启式更换灯泡，方便维护，。
- 较高的防水，防尘等级。
- High pressure die - casting aluminum shape, stainless steel protective screening
- The newly designed elliptical reflector is more efficient as it is smaller and lighter with better drag of the air .
- The built - in shading plate is designed for narrow and midst light beam and effectively prevents glare and light pollution
- Light bulbs can be easily replaced in the back
- High waterproof and dust - proof coefficient



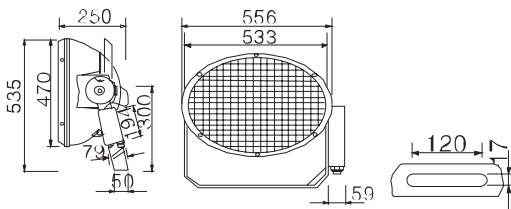
应用范围 Applications

- 建筑物、体育场、广场、码头、绿化照明、广告、大厦外景、车站、铁路、隧道、港口等户外照明。
- Buildings, stadiums, squares, docks, green lighting, advertising, building outlines, stations, railways, tunnels, ports and other outdoor lighting.

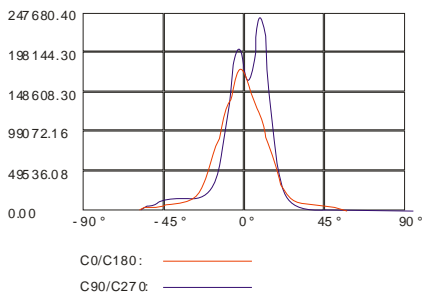


建议配套我司电器箱 - K箱
It is recommended to use Huaquan gear box model no. HQBNXXL - K

产品尺寸 size



配光曲线 Luminous intensity curve



技术参数 Product Parameter



型号 Model	光源/灯功率 lamp	灯头 Base	电压/频率 Voltage & frequency
HQBN - 1800L/TG109	MH 1800W	PsSFC20 - 6/X528	220V/50Hz
HQBN - 2000L/TG109	MH 2000W	PsSFC20 - 6/X528	220V/50Hz

产品特点

- 采用高光效、长寿命气体放电光源，高纯铝反射器，反光效率高。
- 底部可以安装自行开发的减振器，对灯具起一定的减振作用，确保其在路基路轨、桥梁隧道等高频震动环境中长期安全使用。
- 高压压铸铝成型外壳，表面聚脂喷塑处理，确保灯具在潮湿、高温等恶劣环境中不腐蚀、不生锈。
- 灯具整体温升低，散热性能好。
- 灯座可调节高低，从而使配光可以随意的调节。
- 灯具所有外部螺丝螺母为不锈钢材质，以保证产品的可靠性。
- 400mm安装支架，以保证灯具可以向旋转更大的角度。
- High luminous efficiency, long - life gas discharge light source, high - pure aluminum reflector, reflector and high efficiency.
- With high Developed that can be installed at the bottom of the shock absorber of a certain vibration lamp role to ensure that the tracks in the roadbed, bridges, tunnels and other high - frequency vibration environment for the safe use of the medium and long term.
- High - pressure die - casting molding aluminum shell, the surface of polyester spray to ensure that the lamps in the humid, high temperature harsh environment, such as non - corrosive, non - rusting.
- The overall temperature rise of low lighting, good heat dissipation.
- Adjustable high and low lamp holder so that light can be with the regulation.
- Lamps for all external screws stainless steel nut to ensure he reliability of products
- 400mm high - mounting brackets to ensure that lighting can be a greater angle to the rotation.

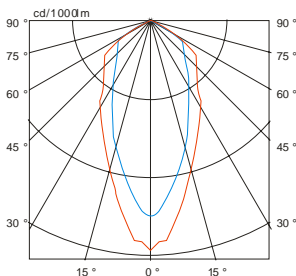


应用范围

石油、石化、冶金、码头、铁路、电厂船舶等场所及各种室内外照明、施工现场照明。

Petroleum, petrochemical, metallurgy, port, railways, power plants and other places of the ship and various indoor and outdoor lighting, lighting construction site.

配光曲线

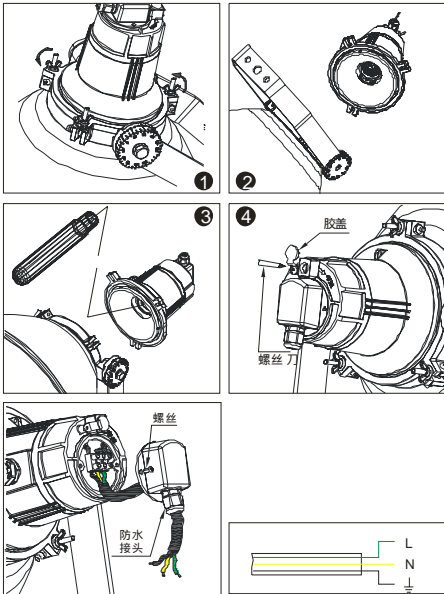


技术参数

IP65

型号 Model	光源/灯功率 lamp	灯头 Base	电压/频率 Voltage & frequency
HQBN - 250L/TG113	HPS 250W	E40	220V/50Hz
HQBN - 400L/TG113	HPS 400W	E40	220V/50Hz
HQBG - 250L/TG113	MH 250W	E40	220V/50Hz
HQBG - 400L/TG113	MH 400W	E40	220V/50Hz

光源安装方法及接线示意图



打开灯具上盖把电源线穿过防水接头后，接入接线端子。

注意：所有接线端子要避免虚接(芯线并无与端子建立电联系)，曾发现端子的螺丝只压在电线的绝缘层上，而无压在芯线上的情况。用多股芯线的电线时要注意是否所有的芯线都接上了，如果只有部分芯线接上，可能会造成接触电阻过大而烧毁。安装时必须使用合适的扭矩去紧固。如果过大，会造成器件损坏。

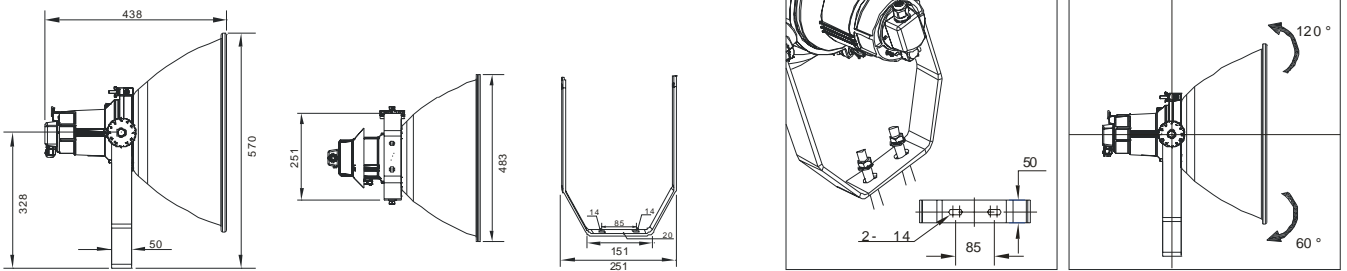
步骤一：新装光源或更换光源前，按照图1所示方向(逆时针)把3个碟形螺母送开到一定程度。

步骤二：如图2所示把灯后盖拿开。

步骤三：如图3所示，把光源装入后盖灯座内，并拧紧，然后按图1所示相反顺序安装好后盖，注意：碟形螺母必须拧紧，否则可能造成灯具进水。

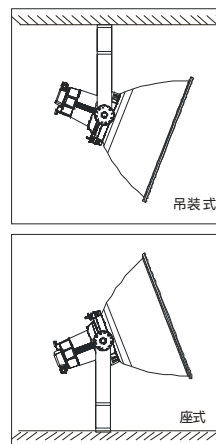
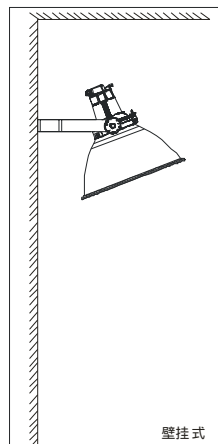
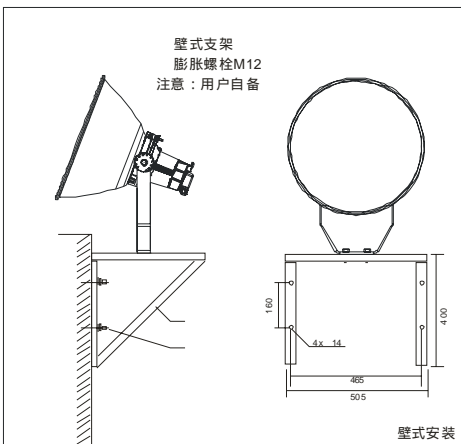
步骤四：如图4所示用手打开胶盖，可用螺丝刀调节孔内的螺杆，根据需要，可调节灯具的配光为宽光或窄光，之后盖回胶盖。

安装方式示意图



按照图示把灯具支架固定到需要安装的地方，注意：灯具不能水平旋转，安装时必须注意安装方面。
松开支架两边的螺丝灯具可上调节120度角，向下调节60度角左右，侧面有刻度可确定实际旋转的角度。

安装方式



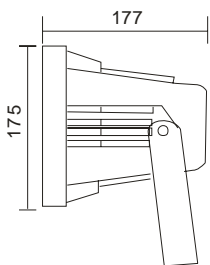
产品特点 Material & Characteristic

- 产品外壳为优质压铸铝底壳。
- 5mm厚钢化玻璃，耐高温、抗冲击。
- 产品电气绝缘等级：I级。
- 灯具需另配电器箱。
- 优质硅橡胶密封圈，耐高温、耐老化。
- High-quality die-casting aluminum shell as luminaire body.
- 5mm thick tempered glass, high temperature resistance and impact resistance.
- Electrical insulation protection: Grade I level.
- High-quality silicone rubber seals, high temperature, anti-aging.

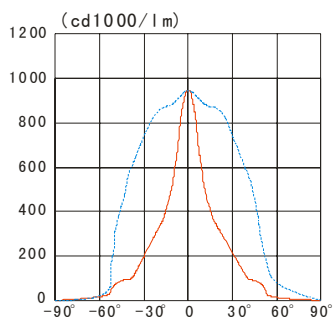
应用范围 Applications

- 建筑物、体育场、广场、码头、绿化照明、广告、大厦外景、车站、铁路、隧道、港口等户外照明。
- Buildings, stadiums, squares, docks, green lighting, advertising, building outlines, stations, railways, tunnels, ports and other outdoor lighting.

产品尺寸 size



配光曲线 Luminous intensity curve



技术参数 Product Parameter

IP65

型号 Model	光源/灯功率 lamp	灯头 Base	电压/频率 Voltage & frequency
HQBN-70L/TG115A	PAR30 70W	E27	220V/50Hz
HQBN-70L/TG115A	G12 70W	G12	220V/50Hz
HQBN-150L/TG115A	G12 150W	G12	220V/50Hz

投光灯具系列 TG115B
Projector luminaire series

产品特点 Material & Characteristic

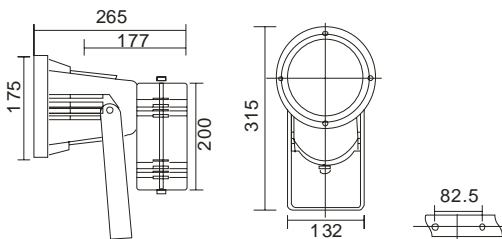
- 产品外壳为优质压铸铝底壳。
- 灯具电器一体化设计，安装维护方便。
- 5mm厚钢化玻璃，耐高温、抗冲击。
- 产品电气绝缘等级：I级。
- 优质硅橡胶密封圈，耐高温、耐老化。
- High - quality die - casting aluminum shell as luminaire body.
- Integration of electrical parts and luminaire design, easy in installation and convenient maintenance.
- 5mm thick tempered glass, high temperature resistance and impact resistance.
- Electrical insulation protection: Grade I level.
- High - quality silicone rubber seals, high temperature, anti - aging.

应用范围 Applications

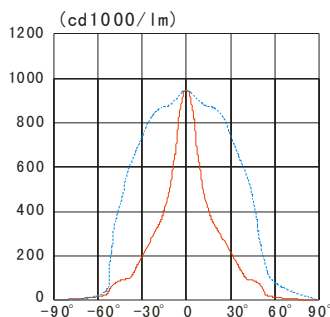
- 建筑物、体育场、广场、码头、绿化照明、广告、大厦外景、车站、铁路、隧道、港口等户外照明。
- Buildings, stadiums, squares, docks, green lighting, advertising, building outlines, stations, railways, tunnels, ports and other outdoor lighting.



产品尺寸 size



配光曲线 Luminous intensity curve



技术参数 Product Parameter IP65

型号 Model	光源/灯功率 lamp	灯头 Base	电压/频率 Voltage & frequency
HQBN- 70L/TG 115B	PAR30 70W	E 27	220V/50Hz
HQBN- 70L/TG 115B	G12 70W	G12	220V/50Hz
HQBN- 150L/TG115B	G12 150W	G12	220V/50Hz

产品特点 Material & Characteristic

- 搭扣封盖设计，快捷开合，维护方便。
 - 设计上采用一体两腔结构，从本质上解决光源温升对电器的根本影响。
 - 先进的照明光学优化设计，光线均匀、柔和、无眩光、无重影。
 - 外壳采用进口优质铝材，压铸成型，抗震性能好，坚固实用。
 - 密封圈采用优质硅橡胶、耐高温，抗老化，特殊的密封方式，可在各种环境和气候下使用。
 - 反射器采用高纯镜面铝，反射效率高。
 - 先进玻璃钢化技术，抗冲击性强，透光率高。
 - 表面采用高科技静电喷涂技术，防腐性能好，附着力强
- Hasp cover design, fast opening and closing, easy maintenance.
 - Integration design of the two-cavity structure, lamp temperature rise impact on electrical parts is essentially minimize.
 - Optimization of illumination optical design. Uniform and soft light, no glare, no ghosting.
 - Imported high-quality aluminum shell, die-casting molding. Solid and practical performance.
 - Use high-quality silicone rubber with high temperature resistance, anti-aging. Special seals can be use in various environment and climate.
 - Use high-purity aluminum as reflector with high efficiency of reflecting.
 - Advanced technology for tempered glass, strong shock resistance and high light transmittance.
 - Surface treatment of electrostatic spraying technology. Anti-corrosion performance and strong adhesion.

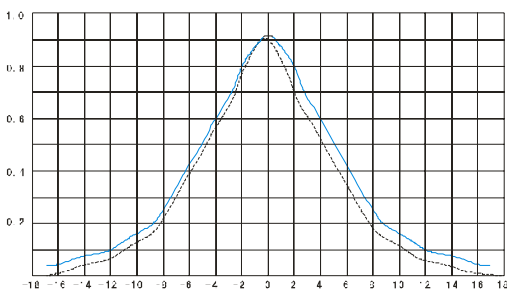


应用范围 Applications

- 建筑物、体育场、广场、码头、绿化照明、广告、大厦外景、车站、铁路、隧道、港口等户外照明。
- Buildings, stadiums, squares, docks, green lighting, advertising, building outlines, stations, railways, tunnels, ports and other outdoor lighting.



配光曲线 Luminous intensity curve



技术参数 Product Parameter

IP65

型号 Model	光源/灯功率 lamp	灯头 Base	电压/频率 Voltage & frequency
HQBN-70L/TG202	MH/HPS 70W	E27	220V/50Hz
HQBN-150L/TG202	MH/HPS 150W	E27	220V/50Hz
HQBG-175L/TG202	MH/HPS 175W	E27	220V/50Hz
HQBN-250L/TG203	HPS 250W	E40	220V/50Hz
HQBN-400L/TG203	HPS 400W	E40	220V/50Hz
HQBG-250L/TG203	MH 250W	E40	220V/50Hz
HQBG-400L/TG203	MH 400W	E40	220V/50Hz

光源安装步骤 Lamp installation steps:



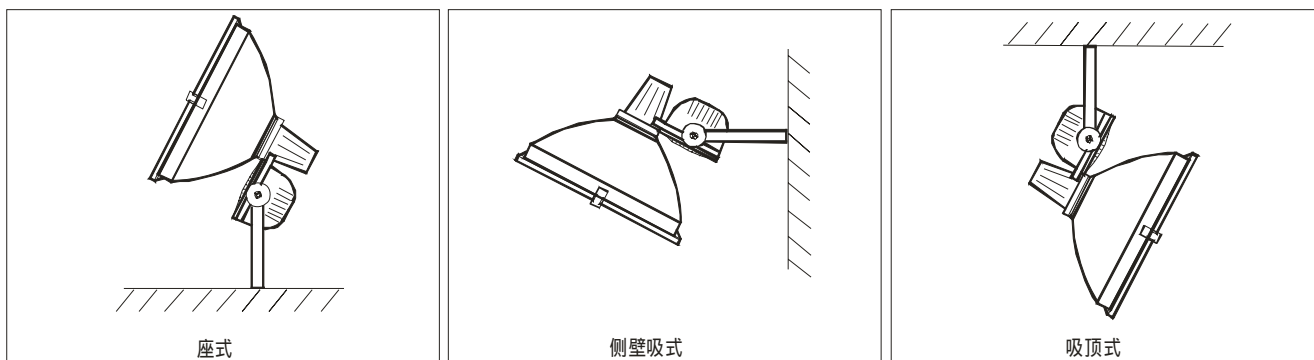
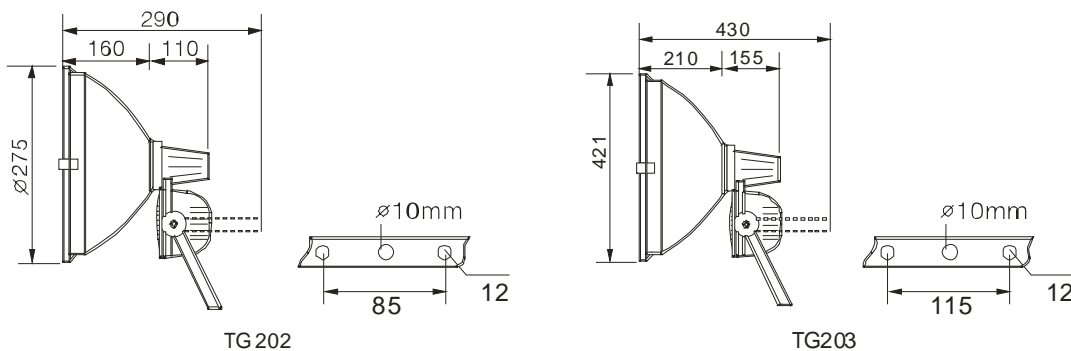
光源安装步骤：

- 步骤一：按图1所示依次将四个搭扣打开。
- 步骤二：打开四个搭扣后，按图2所示将面盖向上揭开。
- 步骤三：将功率适配的光源按图示方向正确旋入灯座内。
- 步骤四：合上面盖，按图所示用力把搭扣向内压固定好玻璃。注意玻璃和反射罩间必须要配合好，否则有可能会进水。

Lamp installation steps:

- Step One: As shown in Figure 1, open four hasp.
- Step Two: Open up cotton cover as shown in Figure 2.
- Step three: Correctly screw the light source with a adapted wattage into the lamp holder.
- Step four: As shown, close the cover and press the hasp to fix the tempered glass. Take note that the cover glass and reflector must closely match to prevent water.

灯具尺寸及安装方式 Luminaire installation:



产品特点 Material & Characteristic

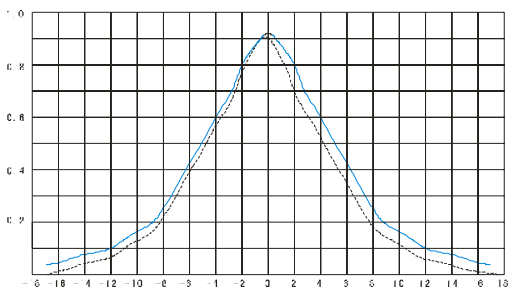
- 搭扣封盖设计，快捷开合，维护方便。
 - 设计上采用一体两腔结构，从本质上解决光源温升对电器的根本影响。
 - 先进的照明光学优化设计，光线均匀、柔和、无眩光、无重影。
 - 外壳采用进口优质铝材，压铸成型，抗震性能好，坚固实用。
 - 密封圈采用优质硅橡胶、耐高温，抗老化，特殊的密封方式，可在各种环境和气候下使用。
 - 反射器采用高纯镜面铝，反射效率高。
 - 先进玻璃钢化技术，抗冲击性能强，透光率高。
 - 表面采用高科技静电喷涂技术，防腐性能好，附着力强
- Hasp cover design, fast opening and closing, easy maintenance.
 - Integration design of the two - cavity structure, lamp temperature rise impact on electrical parts is essentially minimize.
 - Optimization of illumination optical design. Uniform and soft light, no glare, no ghosting.
 - Imported high - quality aluminum shell, die - casting molding. Solid and practical performance.
 - Use high - quality silicone rubber with high temperature resistance, anti - aging. Special seals can be use in various environment and climate.
 - Use high - purity aluminum as reflector with high efficiency of reflecting.
 - Advanced technology for tempered glass, strong shock resistance and high light transmittance.
 - Surface treatment of electrostatic spraying technology. Anti - corrosion performance and strong adhesion.



应用范围 Applications

- 建筑物、体育场、广场、码头、绿化照明、广告、大厦外景、车站、铁路、隧道、港口等户外照明。
- Buildings, stadiums, squares, docks, green lighting, advertising, building outlines, stations, railways, tunnels, ports and other outdoor lighting.

配光曲线 Luminous intensity curve



技术参数 Product Parameter

IP65

型号 Model	光源/灯功率 lamp	灯头 Base	电压/频率 Voltage & frequency
HQBN - 1000L/TG204	HPS 1000W	E40	220V/50Hz
HQBG - 1000L/TG204	MH 1000W	E40	220V/50Hz
HQBJ - 1000L/TG204	MH 1000W	E40	220V/50Hz

光源安装步骤 Lamp installation steps:



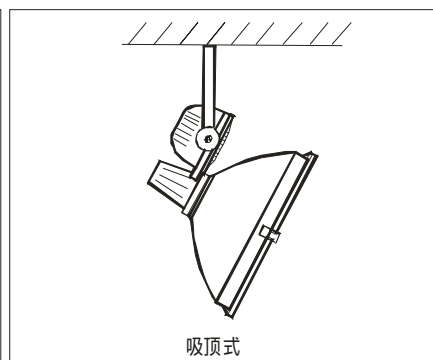
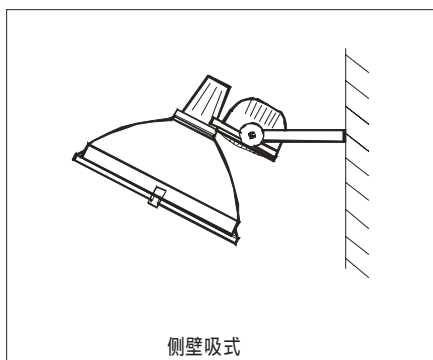
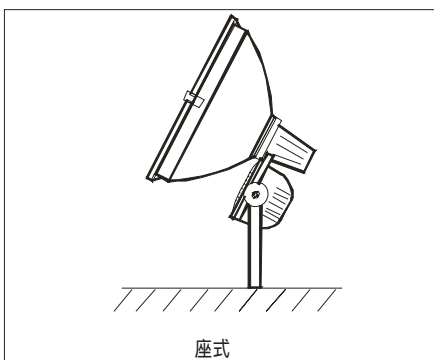
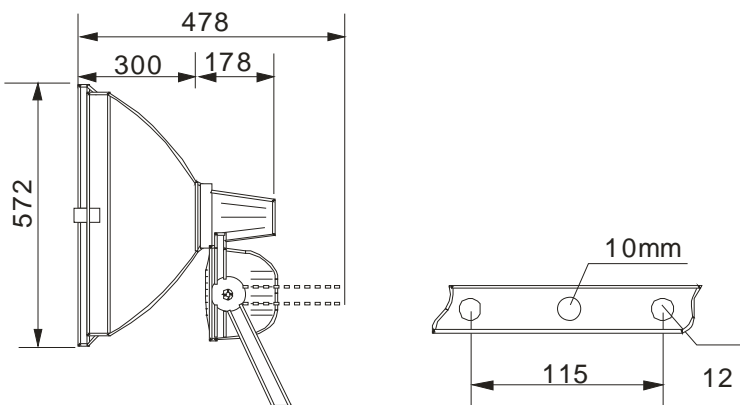
光源安装步骤：

- 步骤一：按图1所示依次将四个搭扣打开。
- 步骤二：打开四个搭扣后，按图2所示将面盖向上揭开。
- 步骤三：将功率适配的光源按图示方向正确旋入灯座内。
- 步骤四：合上面盖，按图所示用力把搭扣向内压固定好玻璃。注意玻璃和反射罩间必须要配合好，否则有可能会进水。

Lamp installation steps:

- Step One: As shown in Figure 1, open four hasp.
- Step Two: Open up cotton cover as shown in Figure 2.
- Step three: Correctly screw the light source with adapted wattage into the lamp holder.
- Step four: As shown, close the cover and press the hasp to fix the tempered glass. Take note that the cover glass and reflector must closely match to prevent water.

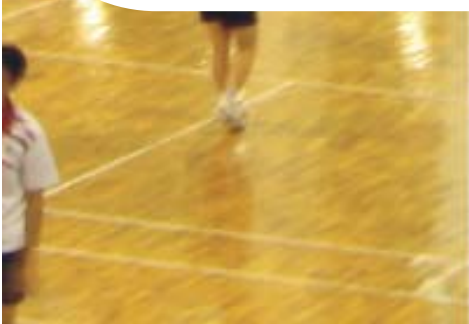
灯具尺寸及安装方式 Luminaire installation:







工矿灯具系列
Factory and mining illumination series



产品特点 Material & Characteristic

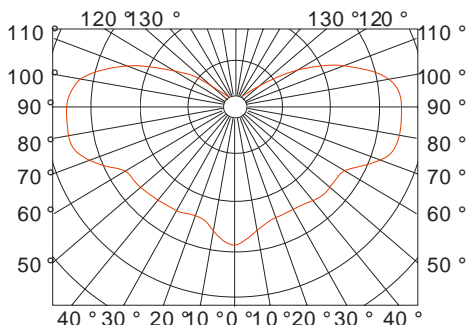
- 采用高效、长寿命气体放电光源，寿命可高达28500小时；功率因数大于0.9，发光效率高，透光性好。
- 运用先进的光学和照明原理优化设计透明件，光线柔和，照度均匀，无眩光，无重影，能有效避免作业、施工人员产生不适和疲劳感。
- 侧面装有呼吸器，使灯具内压和外压达到平衡，以达到更好的防水性能。
- 选用高强度铝合金外壳，进行特殊的密封和表面涂层处理，可在高温潮湿和各种腐蚀性等恶劣条件下长期使用。
- 座式、吸顶式和侧壁吸式等多种安装方式，适应不同的工作环境。
- Use efficient, long - life gas discharge light source, life expectancy can be up to 28,500 hours with power factor above 0.9. High light - emitting efficiency and good light transmission .
- Use advanced optical and optimized lighting design for transparent parts with soft and uniform illumination. Non - glare, no ghosting and it can effectively prevent discomfort and fatigue of the operation and construction staff on spot.
- Equipped with Respirator a side so that the inside and external pressure reach balance for better performance of waterproof.
- High - strength aluminum alloy case, special sealing and surface coating which can be used for hot and humid and corrosive conditions for long time.
- Various installations like standing, ceiling and wall - fixed adapt to different working environments.



应用范围 Applications

工业厂房，体育场，商场，候机大厅，候车大厅等。
Industrial workhouse, stadium, commercial piazza, supermarket, waiting hall, toll station etc.

配光曲线 Luminous intensity curve

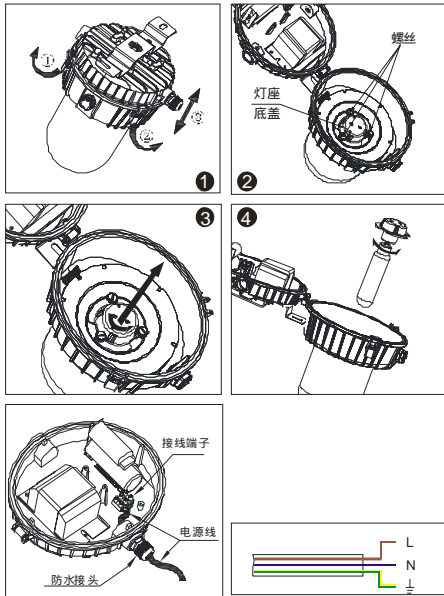


技术参数 Product Parameter

IP65

型号 Model	光源/灯功率 lamp	灯头 Base	电压/频率 Voltage & frequency
HQB- 70L/GC10	MH/HPS 70W	E27	220V/50Hz
HQB- 100L/GC10	MH/HPS 100W	E27	220V/50Hz
HQB- 150L/GC10	MH/HPS 150W	E27	220V/50Hz

光源安装步骤 Lamp installation steps



打开灯具上盖把电源线穿过防水接头后，接入接线端子。

注意：所有接线端子要避免虚接(芯线并无与端子建立电联系)，曾发现端子的螺丝只压在电线的绝缘层上，而无压在芯线上的情况。用多股芯线的电线时要注意是否所有的芯线都接上了，如果只有部分芯线接上，可能会造成接触电阻过大而烧毁。安装时必须使用合适的扭矩去紧固。如果过大，会造成器件损坏。

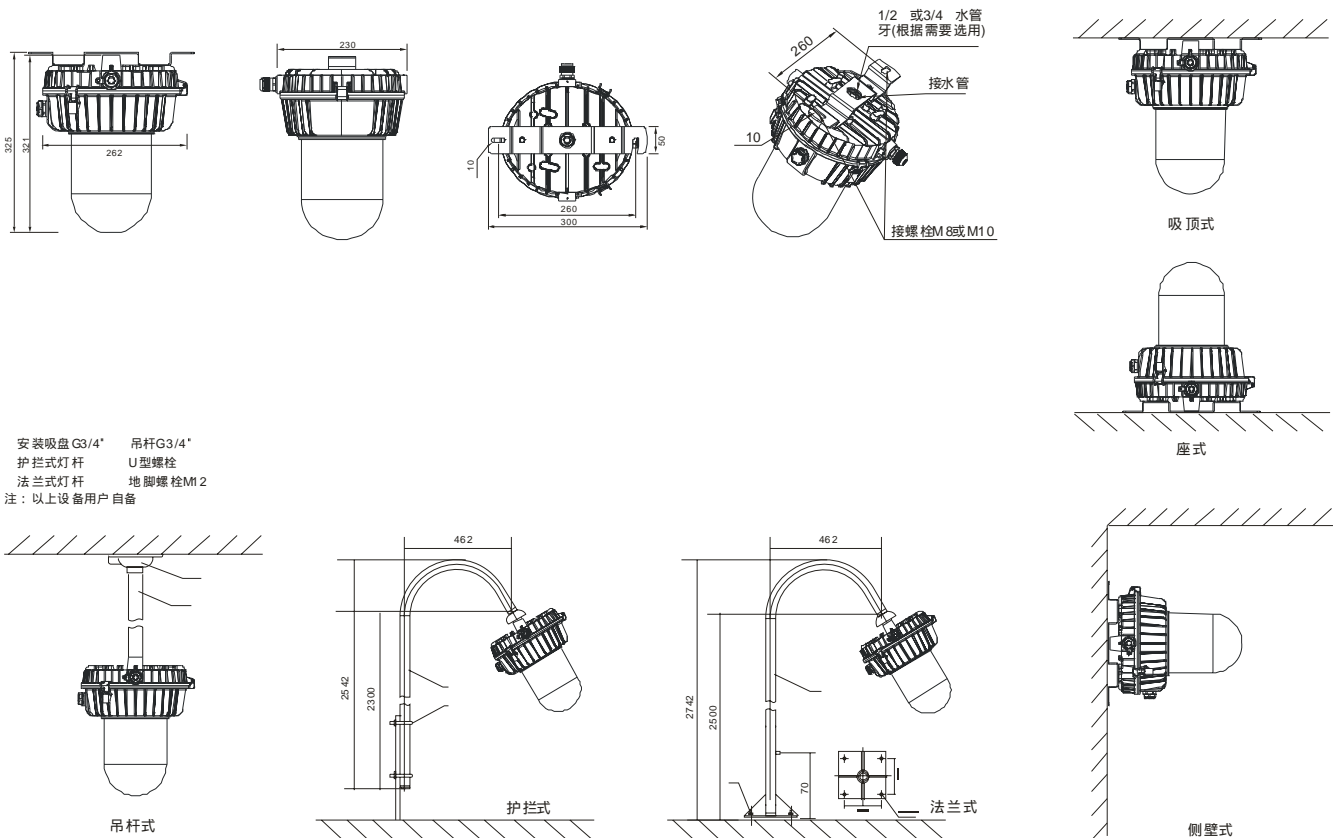
步骤一：按图1所示箭头方向依次打开灯具两个压扣，按箭头方向打开上下盖。

步骤二：用一字螺丝刀拧松如图2所示的三颗螺丝(不需要完全拧出来)。

步骤三：逆时针方向旋转灯座底盖10°角左右，向上拿出灯座底盖。

步骤四：把合适的光源如图4所示旋入灯头座(注意光源必须拧紧，否则有可能出现点灯不亮或引发拉弧而烧光源的现象)，之后按图2图3工序相反顺序固定好灯座底盖。最后按图1的工序相反顺序把上下盖盖紧。

灯具尺寸及安装方式 Luminaire installation



安装吸盘 G3/4" 吊杆 G3/4"
护栏式灯杆 U型螺栓
法兰式灯杆 地脚螺栓 M12
注：以上设备用户自备

产品特点 Material & Characteristic

- 铝压铸电器箱，外部静电喷涂处理。
- 采用特殊工艺制作的高光效反光罩，反光效率达到80%，以上为传统反光罩的两倍，长期使用不会产生氧化现象。
- 可根据不同的场所要求配置不同的反光罩，及可在反光罩加装玻璃。
- 可采用智能触发器，具有自动检测和延时关闭功能，能有效延长光源和电器的寿命，降低维护成本及避免维护时产生电气安全隐患。
- 安装维修极为方便。
- 更好的散热功能。

- Aluminum die-casting gear boxes. External static spraying surface treatment.
- Use high efficiency reflectors with special processing technology. Reflective efficiency is up to 80%, twice more than the traditional reflectors. No oxidation for long-term use.
- Use different reflectors according to different requirements, or add the tempered glass cover onto the reflectors.
- The protection at abnormal conditions: if the lamp can not be lit at the abnormal condition, the built-in intelligent shut down ignitor will stop working after five minutes, to avoid high voltage pulse generated by ignitor's continuous working on the HID lamps and other electrical damage to the annex, this unique design meets the intelligence requirements of the safety of electrical appliances.
- Extremely easy installation and maintenance.
- Better heat dissipation.



应用范围 Applications

工业厂房，体育场，商场，候机大厅，候车大厅等。

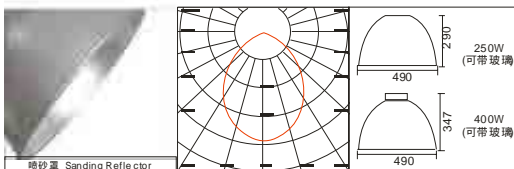
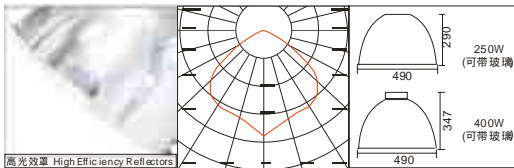
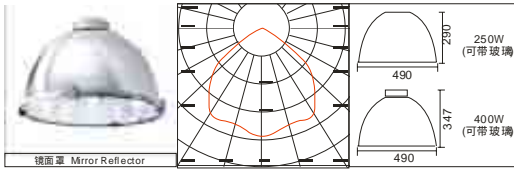
Industrial workhouse, stadium, commercial piazza, supermarket, waiting hall, toll station etc.



技术参数 Product Parameter

型号 Model	光源/灯功率 lamp	灯头 Base	电压/频率 Voltage & frequency
HQBN-250L/GC11	HPS 250W	E40	220V/50Hz
HQBN-400L/GC11	HPS 400W	E40	220V/50Hz
HQBG-250L/GC11	MH 250W	E40	220V/50Hz
HQBG-400L/GC11	MH 400W	E40	220V/50Hz

灯具适配反光罩 Adaptive Lighting Reflectors



灯具适配反光罩

镜面罩

反光罩经过电化处理：反射效率略低于阳极化处理，光线有偏差，但成本相对较低，适用于要求相对低的场所。

高光效反光罩

目前国内的反光罩的灯具效率只有30% - 50%为提高反光效率，常采用真空电镀的方式，但该种结构在灯具使用过程中极易发生氧化现象降低灯具的反光效率。“华全”牌灯具使用的高光效反光罩采用特殊工艺进行处理反光效率达到80%以上，长期使用不会出现氧化现象。

喷砂罩

光线均匀，不刺眼，光效衰减慢，适合安装高度矮以及对照度要求不高但对眩光要求高的场所。

Adaptive Lighting Reflectors

Mirror Reflector

Reflectors by electro-chemical processing: reflection efficiency slightly lower than that of the anodized treatment with a little bias light. Relatively lower cost for places with lower lighting requirements.

High Efficiency Reflectors

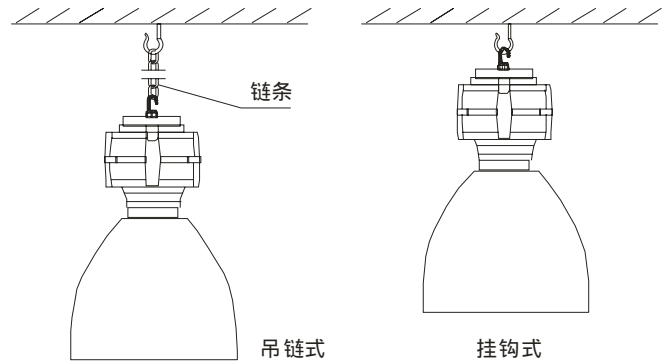
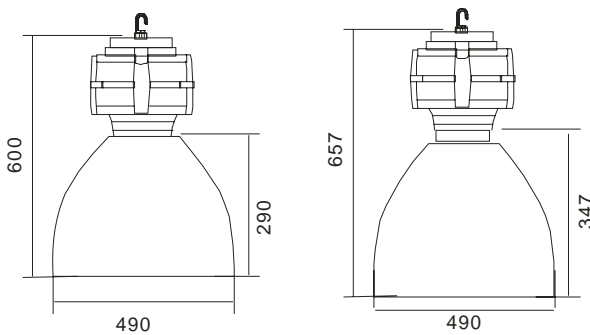
At present in the domestic market, 30% - 50% of the reflectors use vacuum plating processing to improve light efficiency.

But this structure can easily have oxidation problems which obviously reduce the reflection efficiency. Our "Watran" brand lighting fixtures use high efficiency reflectors with special treatment with over 80% reflection rate. There will not be any oxidation problem for long-term use.

Sanding Reflector

Soft and uniform Light, non-glare, and slow light attenuation. Suitable for non-glare places with lower installation and luminance requirements.

灯具尺寸及安装方式 Luminaire installation



产品特点 Material & Characteristic

- 电器箱外壳采用高级小汽车用金属铁板喷塑处理，抗腐蚀性能强。较常规采用铝压铸电器箱比较，韧性好，耐冲击，重量轻，能有效降低灯具安装配件的承重力，抗震动能力强。
- 电器箱采用传导散热和空气对流散热功能，较常规采用铝压铸电器箱（热传导散热）比较，能有效延长电器的使用寿命。
- 外观简洁，明快，结构简单，较常规采用铝压铸电器箱，维护更加简洁方便。
- 可采用智能触发器，具有自动检测和延时关闭功能，能有效延长光源和电器的寿命，降低维护成本及避免维护时产生电气安全隐患。
- 可根据不同的场所要求配置不同的反光罩，及可在反光罩加装玻璃。
- 灯具符合GB 7000.1-2007标准。
- Light metal sheet control gear with characteristics of good impact toughness
- Compact and concise appearance, easy appliance change
- Handy and various installation: clasp two hooks and fasten with screw, also can replace hooks with pipe to thread power wire into gear
- Selective reflector cover accordingly to the place: broad-light, narrow-light, explosion-proof type etc.
- The protection at abnormal conditions: if the lamp can not be lit at the abnormal condition, the built-in intelligent shutdown ignitor will stop working after five minutes, to avoid high voltage pulse generated by ignitor's continuous working on the HID lamps and other electrical damage to the annex, this unique design meets the intelligence requirements of the safety of electrical appliances.
- Customized appliance for 70W~4000W lamp
- Good heat emitting holes around the gear to avoid high temperature during regular work; the fixture design and function are in accordance with relative secure and required national standards.



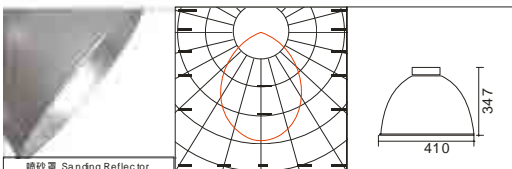
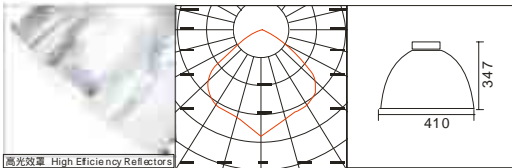
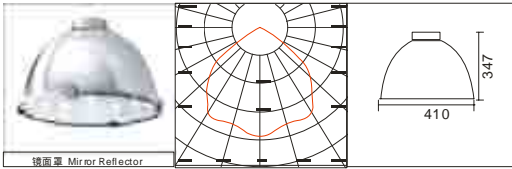
应用范围 Applications

工业厂房，体育场，商场，候机大厅，候车大厅等。
Industrial workhouse, stadium, commercial piazza, supermarket, waiting hall, toll station etc.

技术参数 Product Parameter

型号 Model	光源/灯功率 lamp	灯头 Base	电压/频率 Voltage & frequency
HQBN-70L/GC7	MH/HPS 70W	E27	220V/50Hz
HQBN-150L/GC7	MH/HPS 150W	E27/E40	220V/50Hz
HQBN-250L/GC7	HPS 250W	E40	220V/50Hz
HQBN-400L/GC7	HPS 400W	E40	220V/50Hz
HQBG-250L/GC7	MH 250W	E40	220V/50Hz
HQBG-400L/GC7	MH 400W	E40	220V/50Hz

灯具适配反光罩 Adaptive Lighting Reflectors



灯具适配反光罩

镜面罩

反光罩经过电化处理：反射效率略低于阳极化处理，光线有偏差，但成本相对较低，适用于要求相对低的场所。

高光效反光罩

目前国内的反光罩的灯具效率只有30%-50%为提高反光效率，常采用真空电镀的方式，但此种结构在灯具使用过程中极易发生氧化现象降低灯具的反光效率。“华全”牌灯具使用的高光效反光罩采用特殊工艺进行处理反光效率达到80%以上，长期使用不会出现氧化现象。

喷砂罩

光线均匀，不刺眼，光效衰减慢，适合安装高度矮以及对照度要求不高但对眩光要求高的场所。

Adaptive Lighting Reflectors

Mirror Reflector

Reflectors by electro-chemical processing: reflection efficiency slightly lower than that of the anodized treatment with a little bias light. Relatively lower cost for places with lower lighting requirements.

High Efficiency Reflectors

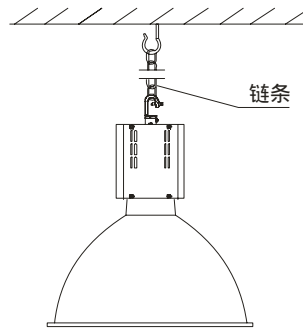
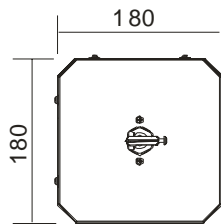
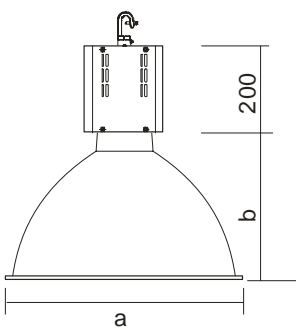
At present in the domestic market, 30% - 50% of the reflectors use vacuum plating processing to improve light efficiency.

But this structure can easily have oxidation problems which obviously reduce the reflection efficiency. Our "Watran" brand lighting fixtures use high efficiency reflectors with special treatment with over 80% reflection rate. There will not be any oxidation problem for long-term use.

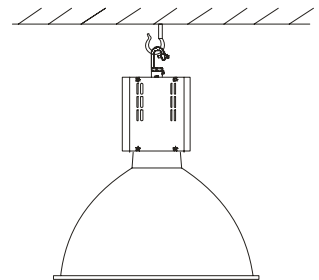
Sanding Reflector

Soft and uniform Light, non-glare, and slow light attenuation. Suitable for non-glare places with lower installation and luminance requirements.

灯具尺寸及安装方式 Luminaire installation



吊链式



挂钩式

产品特点 Material & Characteristic

- 电器箱外壳采用高级小汽车用金属铁板喷塑处理，抗腐蚀性极强。较常规采用铝压铸电器箱比较，韧性好，耐冲击，重量轻，能有效降低灯具安装配件的承重力，抗震动能力强。
- 电器箱采用传导散热和空气对流散热功能，较常规采用铝压铸电器箱（热传导散热）比较，能有效延长电器的使用寿命。
- 外观简洁，明快，结构简单，较常规采用铝压铸电器箱，维护更加简洁方便。
- 可采用智能触发器，具有自动检测和延时关闭功能，能有效延长光源和电器的寿命，降低维护成本及避免维护时产生电气安全隐患。
- 可根据不同的场所要求配置不同的反光罩，及可在反光罩加装玻璃。
- 灯具符合GB 7000.1 - 2007标准。

- Light metal sheet control gear with characteristics of good impact toughness
- Compact and concise appearance, easy appliance change
- Handy and various installation: clasp two hooks and fasten with screw, also can replace hooks with pipe to thread power wire into gear
- Selective reflector cover accordingly to the place: broad-light, narrow-light, explosion-proof type etc.
- The protection at abnormal conditions: if the lamp can not be lit at the abnormal condition, the built-in intelligent shutdown ignitor will stop working after five minutes, to avoid high voltage pulse generated by ignitor's continuous working on the HID lamps and other electrical damage to the annex, this unique design meets the intelligence requirements of the safety of electrical appliances.
- Customized appliance for 70W~4000W lamp
- Good heat emitting holes around the gear to avoid high temperature during regular work; the fixture design and function are in accordance with relative secure and required national standards.



应用范围 Applications

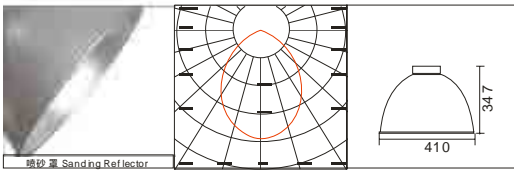
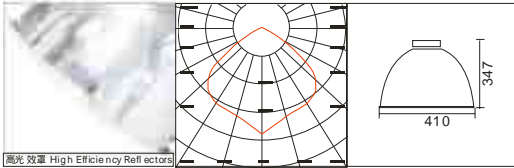
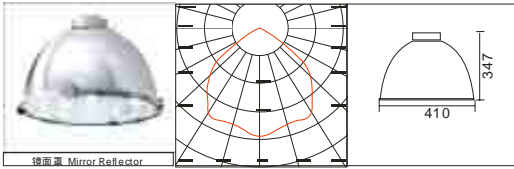
工业厂房，体育场，商场，候机大厅，候车大厅等。

Industrial workhouse, stadium, commercial piazza, supermarket, waiting hall, toll station etc.

技术参数 Product Parameter

型号 Model	光源/灯功率 lamp	灯头 Base	电压/频率 Voltage & frequency
HQBN-70L/GC8	MH/HPS 70W	E27	220V/50Hz
HQBN-150L/GC8	MH/HPS 150W	E27/E40	220V/50Hz
HQBN-250L/GC8	HPS 250W	E40	220V/50Hz
HQBN-400L/GC8	HPS 400W	E40	220V/50Hz
HQBG-250L/GC8	MH 250W	E40	220V/50Hz
HQBG-400L/GC8	MH 400W	E40	220V/50Hz

灯具适配反光罩 Adaptive Lighting Reflectors



灯具适配反光罩

镜面罩

反光罩经过电化处理：反射效率略低于阳极化处理，光线有偏差，但成本相对较低，适用于要求相对低的场所。

高光效反光罩

目前国内的反光罩的灯具效率只有30%-50%为提高反光效率，常采用真空电镀的方式，但此种结构在灯具使用过程中极易发生氧化现象降低灯具的反射效率。“华全”牌灯具使用的高光效反光罩采用特殊工艺进行处理反射效率达到80%以上，长期使用不会出现氧化现象。

喷砂罩

光线均匀，不刺眼，光效衰减慢，适合安装高度矮以及对照度要求不高但对眩光要求高的场所。

Adaptive Lighting Reflectors

Mirror Reflector

Reflectors by electro-chemical processing: reflection efficiency slightly lower than that of the anodized treatment with a little bias light. Relatively lower cost for places with lower lighting requirements.

High Efficiency Reflectors

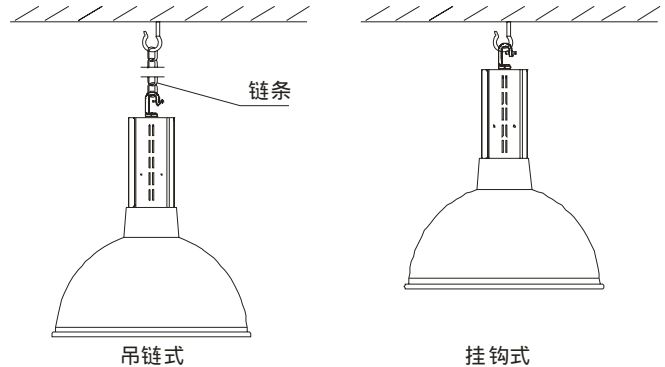
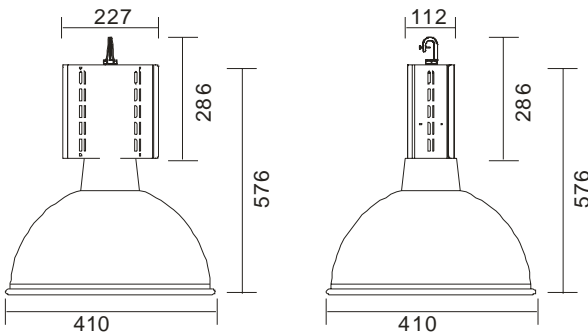
At present in the domestic market, 30% -50% of the reflectors use vacuum plating processing to improve light efficiency.

But this structure can easily have oxidation problems which obviously reduce the reflection efficiency. Our "Watran" brand lighting fixtures use high efficiency reflectors with special treatment with over 80% reflection rate. There will not be any oxidation problem for long-term use.

Sanding Reflector

Soft and uniform Light, non-glare, and slow light attenuation. Suitable for non-glare places with lower installation and luminance requirements.

灯具尺寸及安装方式 Luminaire installation



产品特点 Material & Characteristic

- 通过先进的配光设计和特殊工艺处理，最大限度地提高了灯具的光通量，且光线柔和均匀。
 - 加重型铝压铸电器箱，外部静电喷塑处理。
 - 一体化设计，结构美观，防腐、防尘性能好。
 - 安装方便，把吊钩挂在外部的挂钩上，再上紧防脱螺丝即可。
 - 可根据不同的场所要求加装玻璃。
 - 根据光源尺寸客户可以选择加长颈型或非加长颈型反光罩。
 - 可采用智能触发器，具有自动检测和延时关闭功能，能有效延长光源和电器的寿命，降低维护成本及避免维护时产生电气安全隐患。
- Through advanced optical design and the special allocation process to maximize the flux of the lamps, and even soft light.
 - Aluminum die - casting gearboxes, dealing with external electrostatic spray.
 - The integration of design, structural beauty, anti-corrosion, waterproof, dust - proof.
 - Easy to install, as long as the hook hanging on the outside of the hook, and then tighten the screw to prevent off.
 - According to different requirements of different configurations of the reflectors, there are wide - ray type, narrow - light type, and installation of glass in the reflectors.
 - According to sources customers can choose to increase the size or not increase the long - necked long - necked type reflectors.
 - The protection at abnormal conditions: if the lamp can not be lit at the abnormal condition, the built - in intelligent shutdown ignitor will stop working after five minutes, to avoid high voltage pulse generated by ignitor's continuous working on the HID lamps and other electrical damage to the annex, this unique design meets the intelligence requirements of the safety of electrical appliances.

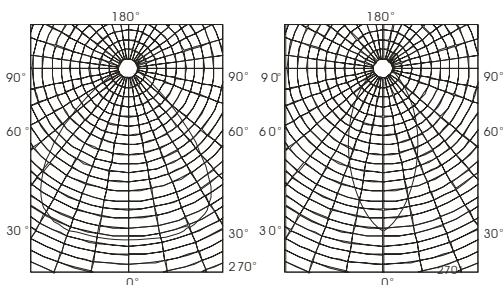


应用范围 Applications

工业厂房，体育场，商场，候机大厅，候车大厅等。
Industrial workhouse, stadium, commercial piazza, supermarket, waiting hall, toll station etc.



配光曲线 Luminous intensity curve



技术参数 Product Parameter

型号 Model	光源/灯功率 lamp	灯头 Base	电压/频率 Voltage & frequency
HQBN-1000L/GC14	HPS 1000W	E40	220V/50Hz
HQBG-1000L/GC14	MH 1000W	E40	220V/50Hz
HQBJ-1000L/GC14	MH 1000W	E40	220V/50Hz

灯具适配反光罩 Adaptive Lighting Reflectors



镜面罩 Mirror Reflector

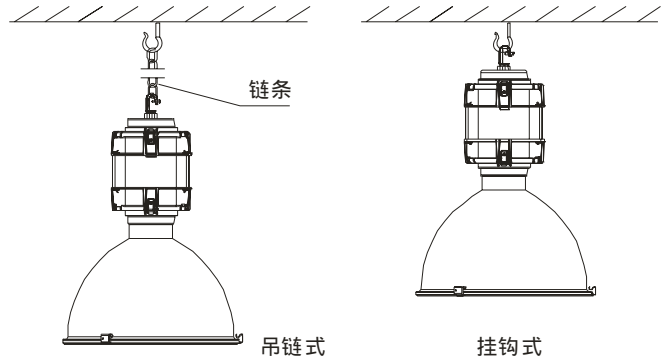
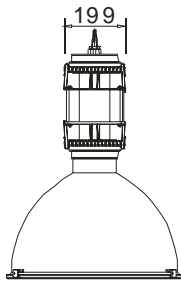
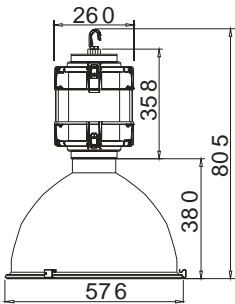
● 专用1000W镜面反光罩

反光罩经过阳极化处理：反射效率高，配光均匀抗氧化性能强，且有效减少眩光，一般用于厂房要求相对高的场所。反光罩经过电化处理：反射效率略低于阳极化处理，光线有偏差，但成本相对较低，适用于要求相对低的场所。

1000W Mirror Reflector

Reflectors by anodized treatment: efficient reflection with even luminance distribution and strong anti-oxidant properties. Effectively reduce glare. Generally use in plant sites with relatively higher lighting requirements. Reflectors by electro-chemical processing: reflection efficiency slightly lower than that of the anodized treatment with a little bias light. Relatively lower cost for places with lower lighting requirements.

灯具尺寸及安装方式 Luminaire installation



产品特点 Material & Characteristic

- 通过先进的配光设计和特殊工艺处理，最大限度地提高了灯具的光通量，且光线柔和均匀。
 - 加重型铝压铸电器箱，外部静电喷塑处理。
 - 一体化设计，结构美观，防腐、防水、防尘性能好。
 - 安装方便，把吊钩挂在外部的挂钩上，再上紧防脱螺丝即可。
 - 可根据不同的场所要求加装玻璃。
 - 根据光源尺寸客户可以选择加长颈型或非加长颈型反光罩。
 - 可采用智能触发器，具有自动检测和延时关闭功能，能有效延长光源和电器的寿命，降低维护成本及避免维护时产生电气安全隐患。
- Through advanced optical design and the special allocation process to maximize the flux of the lamps, and even soft light.
 - Aluminum die-casting gearboxes, dealing with external electrostatic spray.
 - The integration of design, structural beauty, anti-corrosion, waterproof, dust-proof.
 - Easy to install, as long as the hook hanging on the outside of the hook, and then tighten the screw to prevent off.
 - According to different requirements of different configurations of the reflectors, there are wide-ray type, narrow-light type, and installation of glass in the reflectors.
 - According to sources customers can choose to increase the size or not increase the long-necked long-necked type reflectors.
 - The protection at abnormal conditions: if the lamp can not be lit at the abnormal condition, the built-in intelligent shutdown ignitor will stop working after five minutes, to avoid high voltage pulse generated by ignitor's continuous working on the HID lamps and other electrical damage to the annex, this unique design meets the intelligence requirements of the safety of electrical appliances.



应用范围 Applications

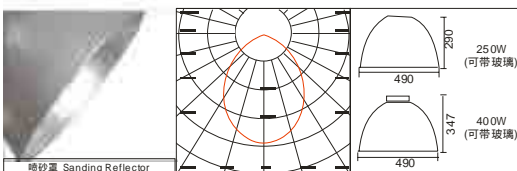
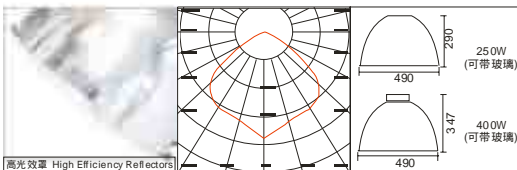
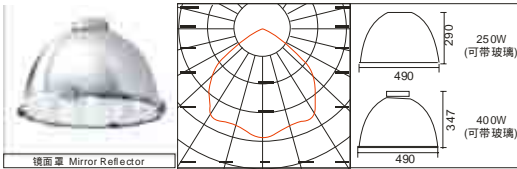
工业厂房，体育场，商场，候机大厅，候车大厅等。
Industrial workhouse, stadium, commercial piazza, supermarket, waiting hall, toll station etc.



技术参数 Product Parameter

型号 Model	光源/灯功率 lamp	灯头 Base	电压/频率 Voltage & frequency
HQBN-250L/GC15	HPS 250W	E40	220V/50Hz
HQBN-400L/GC15	HPS 400W	E40	220V/50Hz
HQBG-250L/GC15	MH 250W	E40	220V/50Hz
HQBG-400L/GC15	MH 400W	E40	220V/50Hz

灯具适配反光罩 Adaptive Lighting Reflectors



灯具适配反光罩

镜面罩

反光罩经过电化处理：反射效率略低于阳极化处理，光线有偏差，但成本相对较低，适用于要求相对低的场所。

高光效反光罩

目前国内的反光罩的灯具效率只有30% - 50%为提高反光效率，常采用真空电镀的方式，但该种结构在灯具使用过程中极易发生氧化现象降低灯具的反光效率。“华全”牌灯具使用的高光效反光罩采用特殊工艺进行处理反光效率达到80%以上，长期使用不会出现氧化现象。

喷砂罩

光线均匀，不刺眼，光效衰减慢，适合安装高度矮以及对照度要求不高但对眩光要求高的场所。

Adaptive Lighting Reflectors

Mirror Reflector

Reflectors by electro-chemical processing: reflection efficiency slightly lower than that of the anodized treatment with a little bias light. Relatively lower cost for places with lower lighting requirements.

High Efficiency Reflectors

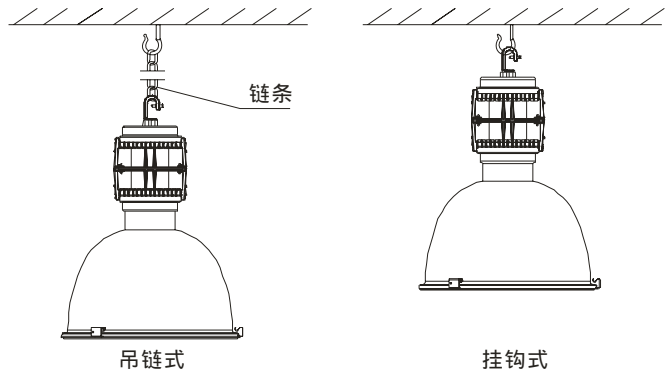
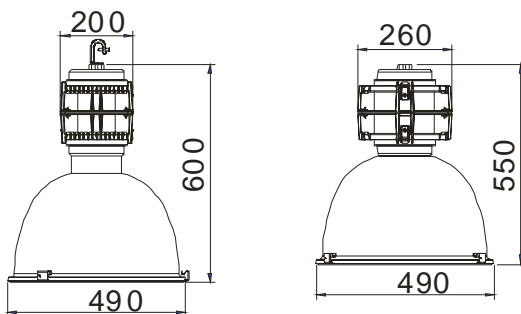
At present in the domestic market, 30% - 50% of the reflectors use vacuum plating processing to improve light efficiency.

But this structure can easily have oxidation problems which obviously reduce the reflection efficiency. Our "Watran" brand lighting fixtures use high efficiency reflectors with special treatment with over 80% reflection rate. There will not be any oxidation problem for long-term use.

Sanding Reflector

Soft and uniform Light, non-glare, and slow light attenuation. Suitable for non-glare places with lower installation and luminance requirements.

灯具尺寸及安装方式 Luminaire installation





产品特点 Material & Characteristic

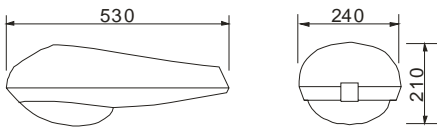
- 高压压铸铝成型外壳，外部静电喷塑处理。
- 高纯铝板压制成型反射器，表面阳极氧化处理。
- 不锈钢搭扣。
- 棱镜硬料玻璃罩。
- 耐高温硅橡胶密封带。
- 安装口径 48-60mm。
- Case shaped by high - pressure cast aluminum, outside disposal with static electricity plastic - spur.
- Reflector shaped by high pressure aluminum board, surface disposal of positive pole oxidation.
- Stainless steel buckle.
- Prism hard glass mask.
- High - pressure silicon rubber airtight band.
- Fixing caliber 48 - 60mm.



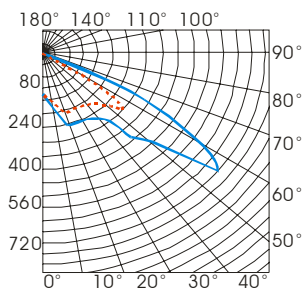
应用范围 Applications

- 不同等级的道路。
- roads of different classes

产品尺寸 size



配光曲线 Luminous intensity curve



技术参数 Product Parameter

IP65

型号 Model	光源/灯功率 lamp	灯头 Base	电压/频率 Voltage & frequency
HQBN-150LD01	HPS 150W	E40	220V/50Hz

产品特点 Material & Characteristic

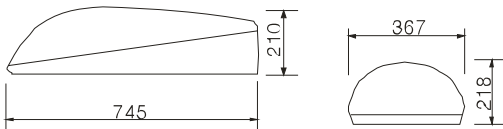
- 灯具的灯体，面框及尾座为铝合金压铸而成，结构轻巧、牢固，表面防腐静电喷涂处理，持久耐用。
- 高纯铝阳极氧化反射器，反射效率高，内有空气净化呼吸器，确保光通量的高输出和降低反射系数的衰减。
- 耐高温，高透明钢化玻璃材料，透光性好，强度高。
- 内置硅橡胶密封圈，优越的防尘防水性能，防护等级达到IP65，减低灯具维修率。
- 弹性扣紧器脱卸，一体化设计，使用电器部件安装于灯具内部，维护检修方便。
- 安装管径 48 - 60mm，安装高度：8 - 12m。
- Body, frame and backstay cast by aluminum alloy, light and solid construction, outside disposal with static electricity plastic - spur, perdurable.
- High pressure aluminum positive pole reflection, air purity breath appliance inside, assure high exportation of luminous flux and lessen the declination of reflective coefficient
- Heat resisting, materials of high transparent toughened glass, good transparency, high intensity
- Inner silicon rubber airtight ring, perfect anti - dust and anti - water performance, protective class up to Ip65, lessens the repairing incidence of the lamps.
- Stretch buckle for discharging, united design, and inner fixed electric devices, convenient for repairing.
- fixing caliber 48 - 60mm, fixing height: 8 - 12m



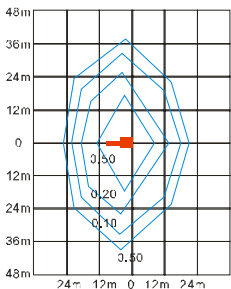
应用范围 Applications

道路、收费站、高架桥、停车场、广场等场所。
road, bridge, square, dock, parking lot, city district ect.

产品尺寸 size



配光曲线 Luminous intensity curve



技术参数 Product Parameter



型号 Model	光源/灯功率 lamp	灯头 Base	电压/频率 Voltage & frequency
HQBN - 250L/LD05	HPS 250W	E40	220V/50Hz
HQBN - 400L/LD05	HPS 400W	E40	220V/50Hz

道路灯具系列 LD09
Road lighting series

产品特点 Material & Characteristic

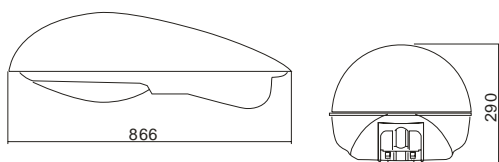
- 灯具的灯体，面框及尾座为铝合金压铸而成，结构轻巧、牢固，表面防腐静电喷涂处理，持久耐用。
- 高纯铝阳极氧化反射器，反射效率高。
- 耐高温，高透明钢化玻璃材料，透光性好，强度高。
- 内置硅橡胶密封圈，优越的防尘防水性能，防护等级达到 Ip65，减低灯具维修率。
- 上掀式开启操作,安装维修方便。
- 安装管径 48-60mm，安装高度：8-12m。
- Body of lamp shaped by high - pressure cast aluminum, outside disposal with anticorrosive static electricity plastic - spur.
- High pure aluminum positive pole reflector, high - efficient reflection.
- Materials of high transparent toughened glass, heat resisting, good transparency, and high intensity.
- Inner silicon rubber airtight ring, perfect anti - dust and anti - water performance, protective class up to IP65, lessens the repairing incidence of lamp .
- Open on top, convenient for fixing
- fixing caliber 48-60mm, fixing height: 8~12m



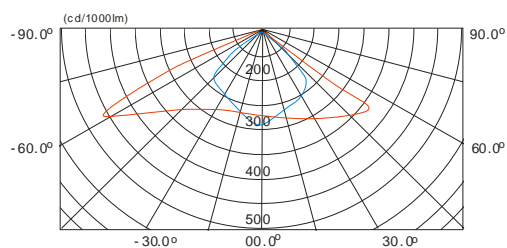
应用范围 Applications

道路、收费站、高架桥、停车场、广场等场所。
road, bridge, square, dock, parking lot, city district ect.

产品尺寸 size



配光曲线 Luminous intensity cure



技术参数 Product Parameter IP 65

型号 Model	光源/灯功率 Lamp	灯头 Base	电压/频率 Voltage & frequency
HQBN - 150L/LD09	HPS 150W	E40	220V/50Hz
HQBN - 250L/LD09	HPS 250W	E40	220V/50Hz
HQBN - 400L/LD09	HPS 400W	E40	220V/50Hz

产品特点 Material & Characteristic

- 产品标准：按照GB7000.5标准生产。已通过ISO9001国际质量体系认证。
- 灯体：灯具外型独特、新颖，上、下壳体采用高压铸铝一次成型，具有强度高表面质量好的优点，用进口颜料喷塑的表面色泽鲜艳、附着力强。
- 反光罩：CAD设计的反光罩配光合理，采用高纯度铝板拉伸成型，水压法工艺制造，经过氧化处理，具有极优的反光效果。
- 灯罩：弧形和平行透光罩采用5mm厚钢化玻璃加工成型，透光率高，耐冲击，防眩光。
- 固定装置：该产品特有的连接方式，开启自如，维护方便，锁紧可靠。
- 安装管径 48-60mm，安装高度：8-12m。
- Product Standard: The product is manufactured according to the GB7000.5 standard and it has obtained ISO9001 International Quality System certificate.
- Body: The lighting fixture design is brand new and unique. The upper and lower shields are both shaped by high pressure die-cast aluminum with outer plastic-sputter coating. The surface is high intensive with good adhesive bright colors.
- Reflector: The CAD-designed reflector has suitable light distribution and it is shaped by high purity aluminum plate by hydrostatic pressure process and anodized treatment, which brings excellent reflection effect.
- Shield: The arc shape and parallel light transmission shield uses the 5mm thickness tempered glass with good light transmittance. It is shock resistant and anti-glare.
- Fixing Device: The special designed junction pattern is easy for opening and maintenance with reliable locking.
- Mounting tube diameter: 48-60mm. Mounting height: 8-12m.

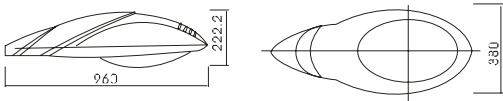


应用范围 Applications

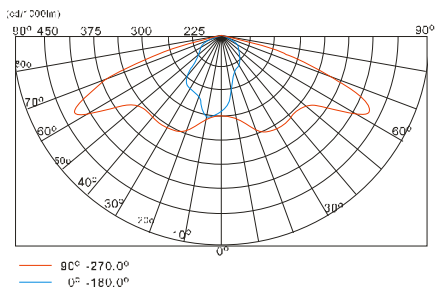
道路、收费站、高架桥、停车场、广场等场所。
road, bridge, square, dock, parking lot, city district ect.



产品尺寸 size



配光曲线 Luminous intensity curve



技术参数 Product Parameter

IP65

型号 Model	光源/灯功率 lamp	灯头 Base	电压/频率 Voltage & frequency
HQBN-150LLD32	HPS 150W	E40	220V/50Hz
HQBN-250LLD32	HPS 250W	E40	220V/50Hz
HQBN-400LLD32	HPS 400W	E40	220V/50Hz

道路灯具系列 LD34
Road lighting series

产品特点 Material & Characteristic

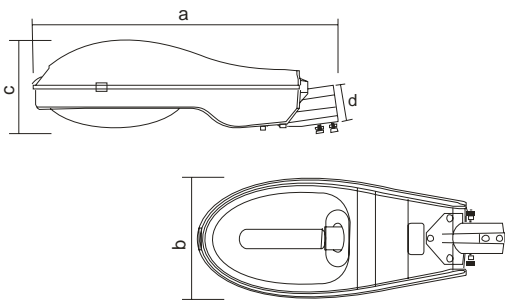
- 灯具的灯体，面框及尾座为铝合金压铸而成，结构轻巧、牢固，表面防腐静电喷涂处理，持久耐用。
- 耐高温，高透明钢化玻璃材料，透光性好，强度高。
- 内置硅橡胶密封圈，优越的防尘防水性能，电器防护等级达到IP65，减低灯具维修率。
- 用弹性扣紧器脱卸，一体化设计，使用电器部件安装于灯具内部，维护检修方便。
- 安装高度：8-12m。
- The body, frame and backstay cast by aluminum alloy, light and solid construction, outside disposal with static electricity plastic-spur, perdurable
- Heat resisting, materials of high transparent toughened glass, good transparency, high intensity.
- Inner silicon rubber airtight ring, perfect anti-dust and anti-water performance, protective class up to IP65, lessens the repairing incidence of the lamps.
- Stretch buckle for discharging, united design, and inner fixed electric devices, convenient for repairing.
- Fixing height:8-12m



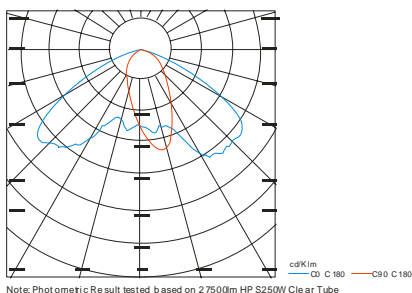
应用范围 Applications

道路、收费站、高架桥、停车场、广场等场所。
road, bridge, square, dock, parking lot, city district ect.

产品尺寸 size



配光曲线 Luminous intensity cure



技术参数 Product Parameter IP65

型号 Model	光源/灯功率 lamp	灯头 Base	电压/频率 Voltage & frequency	产品尺寸 Size(mm)			
				a	b	c	d
HQBN-70LLD34	HPS 70W	E27	220V/50Hz	500	200	136	50
HQBN-150LLD34	HPS 150W	E27/E40	220V/50Hz	639	269	170	65
HQBN-250LLD34	HPS 250W	E40	220V/50Hz	764	302	189	65

产品特点 Material & Characteristic

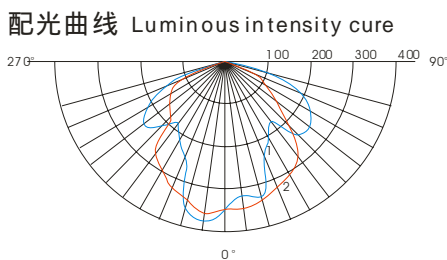
- 抗冲击灯体采用2.7mm压铸铝，灯具表面静电喷塑处理，耐高温，耐气候性能良好，美观耐用。
- 反射器采用对称和非对称进口高纯铝反射器，反射率高，确保光通量的高输出。反射器设计结合光源电弧管位置，有效控制眩光。
- 灯具开启无需工具，光源和电器维护，更换极为方便。
- 耐高温，高透明钢化玻璃材料，透光性好。
- 灯具内置硅胶密封圈，密封性能好，能防水、防尘，防护等级达到IP65。
- Lamp body can resist impact, adopt 2.7mm pinch aluminum, spraying plastic surface, able to bear the high temperature, it is good, attractive and durable to able to bear climate changes.
- The reflector is the high pure aluminum reflector can be the symmetry and asymmetry, the reflecting rate is high, guarantee the high output of the luminous flux. Reflector design combine electric arc of light source in charge of position, control the glare effectively.
- Heat resisting, materials of high transparent toughened glass, good transparency, and high intensity.
- The lamp is opened and does not need tools, light source and electric appliance are maintained and change is extremely convenient.
- Lamp and lanterns of inner have silicon rubber airtight ring, perfect airproof performance, anti-dust and anti-water, protective class up to Ip65.



应用范围 Applications

隧道、道路、收费站、高架桥、停车场、广场等场所。
Tunnel, toll station, trestle, parking lot, square etc.

配光曲线 Luminous intensity curve

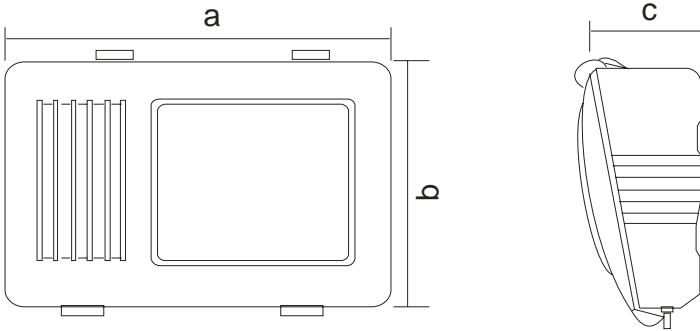


技术参数 Product Parameter



型号 Model	光源/灯功率 lamp	灯头 Base	电压/频率 Voltage & frequency	产品尺寸 Size(mm)		
				a	b	c
HQBN-150L/LD29G	HPS 150W	E40	220V/50Hz	450	340	180
HQBN-250L/LD29G	HPS 250W	E40	220V/50Hz	450	340	180
HQBN-250L/LD29H	HPS 250W	E40	220V/50Hz	610	435	192
HQBN-450L/LD29H	HPS 400W	E40	220V/50Hz	610	435	192

灯具尺寸及安装方式 Luminaire installation

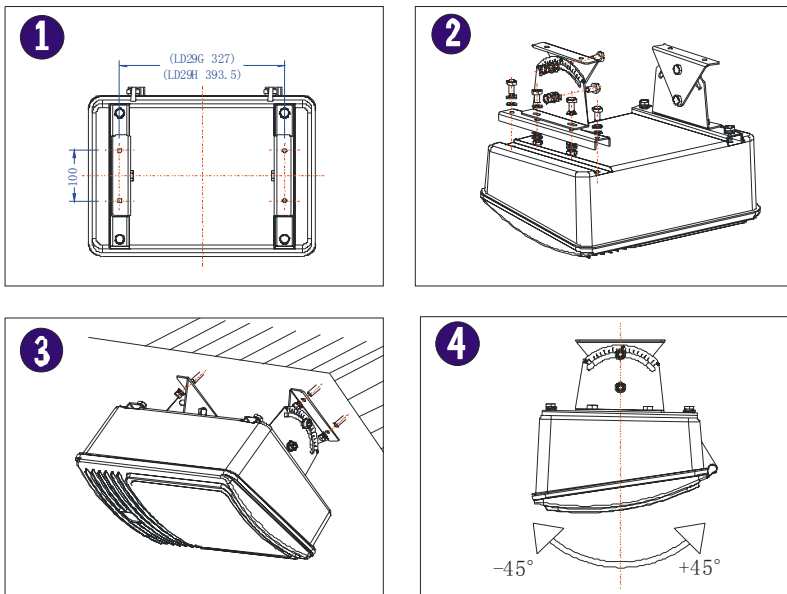


灯具安装步骤：

- 步骤一：灯具安装孔位尺寸,隧道安装孔位钻孔, 请按此尺寸钻, 建议使用M10螺钉。
- 步骤二：安装支架组装方式, 把包装内提供的配件, 按图示组装好, 并锁紧相应的螺丝螺母。
- 步骤三：请按如图所示把灯具安装到已经打好螺钉的隧道内,并锁紧相应的螺母。
- 步骤四：灯具可以在支架支点内, 正负45° 调节。

Fixtures installation steps:

- Step One: Luminaire mounting hole size for tunnel mounting hole drilling. Please drill as per the correct hole size. It is recommended to use M10 screw.
- Step Two: Mounting bracket assembly. Please assemble according to the drawing and the provided parts package. And lock the screws and nuts tightly. Each luminaire uses two sets of brackets.
- Step three: As shown in the drawing, please install the luminaire to the drilled screws in the tunnel, and lock tight the nuts.
- Step four: The luminaire can be adjusted in the bracket fulcrum with plus and minus 45°.



产品特点 Material & Characteristic

- 抗冲击灯体采用2.7mm挤压铝，灯具表面静电喷塑处理，耐高温，耐气候性能良好，美观耐用。
- 反射器采用对称进口高纯铝反射器，反射率高，确保光通量的高输出。反射器设计结合光源电弧管位置，有效控制眩光。
- 灯具开启无需工具，光源和电器维护，更换极为方便。
- 耐高温，高透明钢化玻璃材料，透光性好。
- 灯具内置硅胶密封圈，密封性能好，能防水、防尘，防护等级达到IP65。
- Lamp body can resist impact, adopt 2.7mm pinch aluminum, spraying plastic surface, able to bear the high temperature, it is good, attractive and durable to able to bear climate changes.
- The reflector is the high pure aluminum reflector can be the symmetry and asymmetry, the reflecting rate is high, guarantee the high output of the luminous flux. Reflector design combine electric arc of light source in charge of position, control the glare effectively.
- Heat resisting, materials of high transparent toughened glass, good transparency, and high intensity.
- The lamp is opened and does not need tools, light source and electric appliance are maintained and change is extremely convenient.
- Lamp and lanterns of inner have silicon rubber airtight ring, perfect airproof performance, anti-dust and anti-water, protective class up to Ip65.

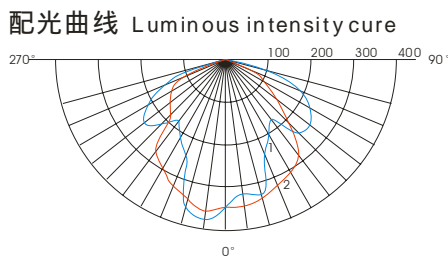


应用范围 Applications

隧道、道路、收费站、高架桥、停车场、广场等场所。
Tunnel, toll station, trestle, parking lot, square etc.



配光曲线 Luminous intensity curve

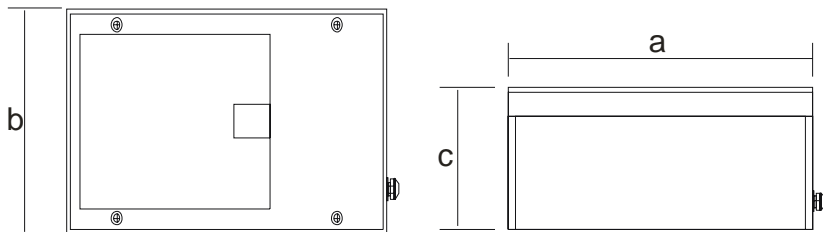


技术参数 Product Parameter

IP65

型号 Model	光源/灯功率 lamp	灯头 Base	电压/频率 Voltage & frequency	产品尺寸 Size(mm)		
				a	b	c
HQBN-70L/LD29E	HPS 70W	E27/E40	220V/50Hz	600	325	165
HQBN-100L/LD29E	HPS 100W	E27/E40	220V/50Hz	600	325	165
HQBN-150L/LD29E	HPS 150W	E27/E40	220V/50Hz	600	325	165
HQBN-250L/LD29F	HPS 250W	E40	220V/50Hz	700	325	165
HQBN-400L/LD29F	HPS 400W	E40	220V/50Hz	700	325	165

灯具尺寸及安装方式 Luminaire installation

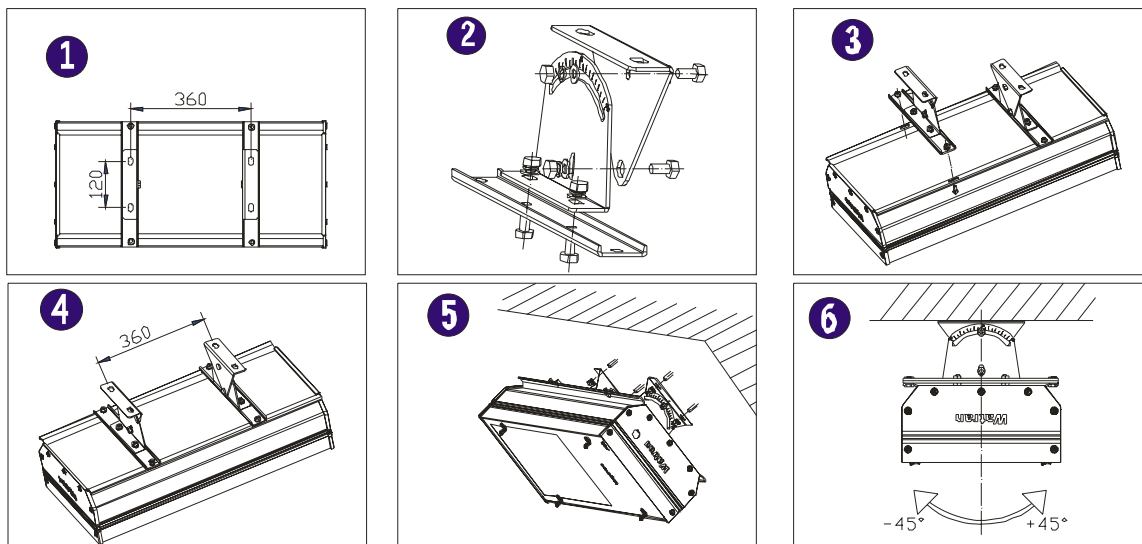


灯具安装步骤：

- 步骤一：灯具安装孔位尺寸,隧道安装孔位钻孔,请按此尺寸钻,建议使用M10螺钉。
- 步骤二：安装支架组装方式,把包装内提供的配件,按图示组装好,每灯具用2套支架。
- 步骤三：安装支架与灯体请按图示所示固定好。并锁紧相应的螺丝螺母。
- 步骤四：安装支架与灯体固定好后,请尽量保证如图尺寸,以便安装方便。
- 步骤五：请按如图所示把灯具安装到已经打好螺钉的隧道内,并锁紧相应的螺母。
- 步骤六：灯具可以在支架支点内,正负45°调节

Fixtures installation steps:

- Step One: Luminaire mounting hole size for tunnel mounting hole drilling. Please drill as per the correct hole size. It is recommended to use M10 screw.
- Step Two: Mounting bracket assembly. Please assemble according to the drawing and the provided parts package. Each luminaire uses two sets of brackets.
- Step three: Fix the lamp body and mounting brackets as shown. And lock the screws and nuts tightly.
- Step four: Make sure the lamp and mounting brackets are installed perfectly according to the shown sizes for easy installation.
- Step Five: As shown in the drawing, please install the luminaire to the drilled screws in the tunnel, and lock tight the nuts.
- Step Six: The luminaire can be adjusted in the bracket fulcrum within plus and minus 45°.



产品特点 Material & Characteristic

- 采用无极灯作光源，寿命长、光效高，光通量输出稳定无频闪无眩光、高可靠性和显色性。
 - 抗冲击灯体采用2.7mm挤压铝，灯具表面静电喷塑处理，耐高温，耐气候性能良好，美观耐用。
 - 反射器采用对称和非对称进口高纯铝反射器，反射率高，确保光通量的高输出。反射器设计结合光源电弧管位置，有效控制眩光。
 - 灯具开启无需工具，光源和电器维护，更换极为方便。
 - 耐高温，高透明钢化玻璃材料，透光性好。
 - 灯具内置硅胶密封圈，密封性能好，能防水、防尘，防护等级达到IP65。
- Lamp body can resist impact, adopt 2.7mm pinch aluminum, spraying plastic surface, able to bear the high temperature, it is good, attractive and durable to able to bear climate changes.
 - The reflector is the high pure aluminum reflector can be the symmetry and asymmetry, the reflecting rate is high, guarantee the high output of the luminous flux. Reflector design combine electric arc of light source in charge of position, control the glare effectively.
 - Heat resisting, materials of high transparent toughened glass, good transparency, and high intensity.
 - The lamp is opened and does not need tools, light source and electric appliance are maintained and change is extremely convenient.
 - Lamp and lanterns of inner have silicon rubber airtight ring, perfect airproof performance, anti-dust and anti-water, protective class up to Ip65.

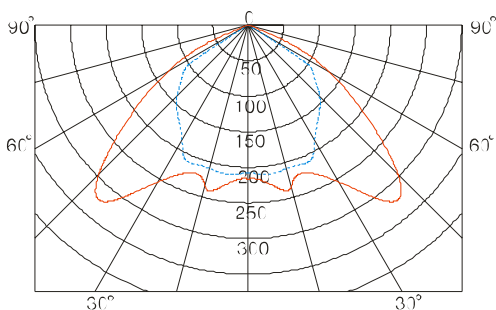


应用范围 Applications

隧道、道路、收费站、高架桥、停车场、广场等场所。
Tunnel, toll station, trestle, parking lot, square etc.



配光曲线 Luminous intensity curve

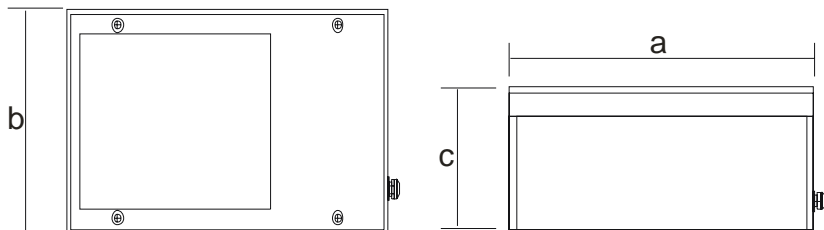


技术参数 Product Parameter



型号 Model	光源/灯功率 lamp	电压/频率 Voltage & frequency	产品尺寸 Size(mm)		
			a	b	c
WLD29E	无极灯 70W	220V/50Hz	650	325	165
WLD29E	无极灯 100W	220V/50Hz	650	325	165
WLD29F	无极灯 150W	220V/50Hz	705	325	165

灯具尺寸及安装方式 Luminaire installation

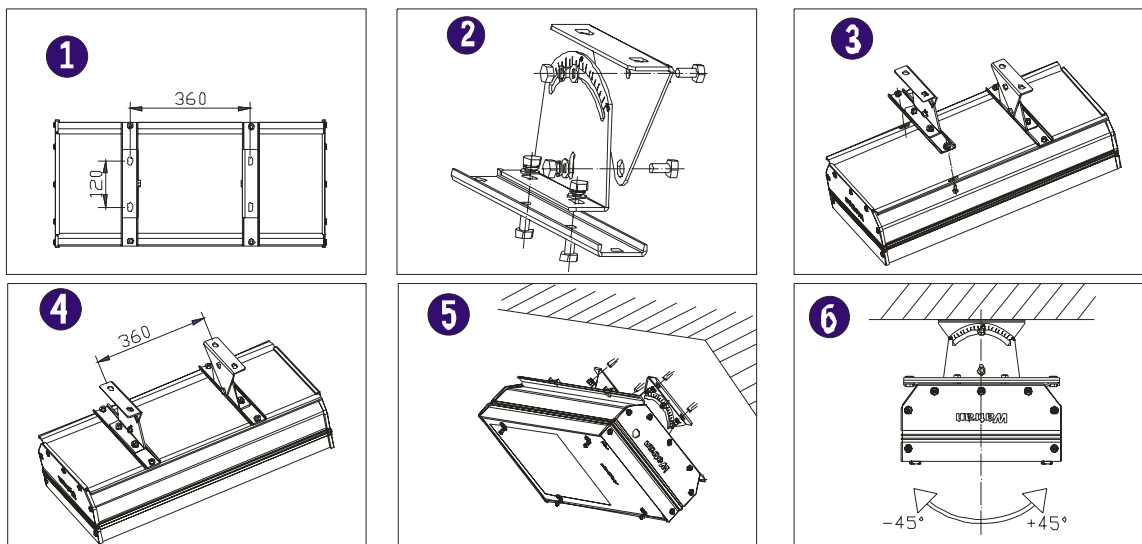


灯具安装步骤：

- 步骤一：灯具安装孔位尺寸,隧道安装孔位钻孔,请按此尺寸钻,建议使用M10螺钉。
- 步骤二：安装支架组装方式,把包装内提供的配件,按图示组装好,每灯具用2套支架。
- 步骤三：安装支架与灯体请按图示所示固定好。并锁紧相应的螺丝螺母。
- 步骤四：安装支架与灯体固定好后,请尽量保证如图尺寸,以便安装方便。
- 步骤五：请按如图所示把灯具安装到已经打好螺钉的隧道内,并锁紧相应的螺母。
- 步骤六：灯具可以在支架支点内,正负45°调节

Fixtures installation steps:

- Step One: Luminaire mounting hole size for tunnel mounting hole drilling. Please drill as per the correct hole size. It is recommended to use M10 screw.
- Step Two: Mounting bracket assembly. Please assemble according to the drawing and the provided parts package. Each luminaire uses two sets of brackets.
- Step three: Fix the lamp body and mounting brackets as shown. And lock the screws and nuts tightly.
- Step four: Make sure the lamp and mounting brackets are installed perfectly according to the shown sizes for easy installation.
- Step Five: As shown in the drawing, please install the luminaire to the drilled screws in the tunnel, and lock tight the nuts.
- Step Six: The luminaire can be adjusted in the bracket fulcrum within plus and minus 45°.



产品特点 Material & Characteristic

- 抗冲击性能：灯体采用高压铸铝，一次成型，灯具表面静电喷塑处理，耐高温，耐气候性能良好，美观耐用。
 - 玻璃灯罩：耐高温250 平板钢化玻璃，厚度5mm，采用经表面静电喷涂处理的弹性不锈钢卡扣。
 - 反射器：采用进口纯铝阳极氧化铝板。
 - 密封胶条：硅胶密封圈，耐高温200 以上。
 - 采用抗震灯口支架。
 - 前开启式设计，扣式固定，用手工即可打开，灯具的维护操作方便。
 - 结构坚固、可靠，并且便于维修。
 - 电器室内设有熔断器，提高电器防护性能降低安全隐患。
- Impact-resistant performance: die-casting aluminum housing, molding in one time. electrostatic painting for surface, anti-high temperature, endure wicked climate, with good looking and long service life.
 - Glass shade: 250 high temperature resistant plate tempered glass, 5mm in thickness, using the electrostatic painting for the surface, flexibility & stainless steel fastener.
 - Reflector: imported aluminum anodic alumina plate.
 - Sealing tape: silicone sealing, above 200 high temperature resistance.
 - Adopted anti-shock bracket.
 - Pre-open design, a fixed fastener, can be opened by hand, convenient maintenance.
 - Solid, reliable structure, easy maintenance.
 - Added the fuse in the gear box, improve the safety performance of the appliance, and reduce the safe hidden trouble.

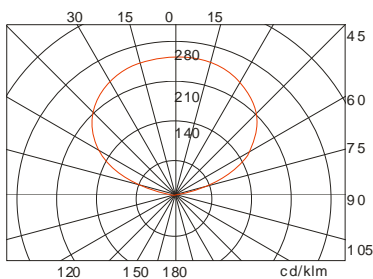


应用范围 Applications

隧道、道路、收费站、高架桥、停车场、广场等场所。
Tunnel, toll station, trestle, parking lot, square etc.



配光曲线 Luminous intensity curve



技术参数 Product Parameter

IP6.5

型号 Model	光源/灯功率 lamp	电压/频率 Voltage & frequency	产品尺寸 Size(mm)		
			a	b	c
TTG02/214	T5荧光灯 2X14W	220V/50Hz	655	90	90
TTG02/221	T5荧光灯 2X21W	220V/50Hz	955	90	90
TTG02/228	T5荧光灯 2X28W	220V/50Hz	1255	90	90
TTG02/235	T5荧光灯 2X35W	220V/50Hz	1555	90	90

灯具尺寸及安装方式 Luminaire installation



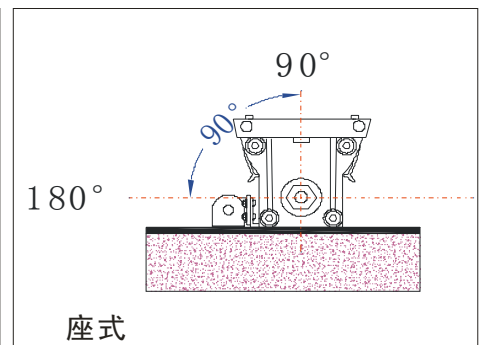
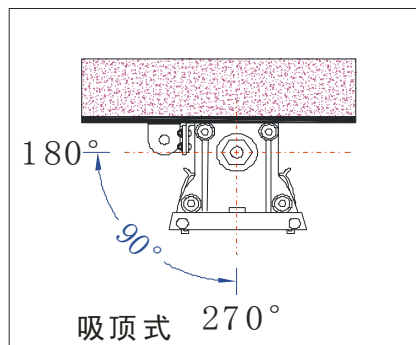
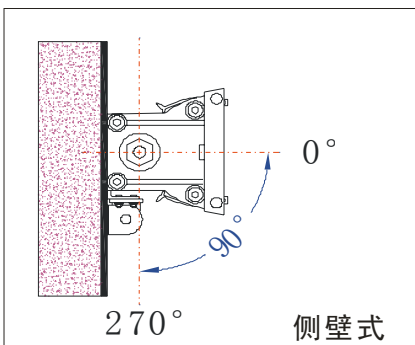
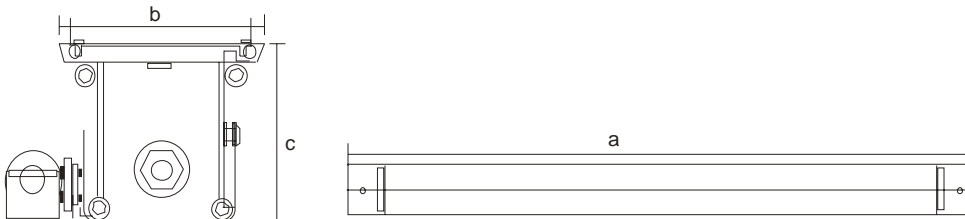
光源安装步骤：

- 步骤一：按图1所示打开灯具玻璃压扣。
- 步骤二：将与灯具型号相配的光源的插脚对准灯座的槽口放入灯座内。
- 步骤三：打开灯具玻璃压扣后用小号一字螺丝刀如图2所示撬起灯具玻璃,然后把玻璃移走。
- 步骤四：光源卡入灯座后用尖嘴钳轻轻的钳住光源的金属端,然后按图4所示方向其中的一个方向转动光源,转动角度为 90° 。
- 步骤五：光源装好后把玻璃盖上,注意玻璃的填充面向下,然后扣上玻璃压扣,如图5所示。
- 步骤六：将灯具按所需的安装方式安装,然后将外露的电缆接到输入电网灯具即可使用。

Lamp installation steps:

- Step One: Open the fastener of the lighting fixture, as shown in picture 1.
- Step Two: Choose the adapted bulb, put into the lamp holders.
- Step three: Open the fastener of the lighting fixture, and remove the glass of the fixture.
- Step four: Put the bulb into the holder, use pincer to clamp the metal of the bulb, then rotate the bulb in the direction as picture 4 shown, the turning angle is 90° .
- Step Five: Install the bulb, and covered with glass, keep the surface of silk-screen inside, then fasten the glass fastener, as shown in picture 5.
- Step Six: Install the lighting fixture as require, then put the exposed cables into the lighting fixture.

灯具尺寸及安装方式 Luminaire installation







庭院灯具系列
Courtyard lighting series



产品特点 Material & Characteristic

- 精密高压压铸铝灯体，6mm厚压铸铝面圈。
- 5mm厚强化玻璃，特制硅橡胶密封圈。
- I级电气绝缘保护。
- 较高的防水，防尘等级。
- Exat high pressure die - casting aluminum lamp body and surface gasket,the thickness of surface gasket is 6mm.
- 5mm strengthen glass ,tailor - made hermetic loop of silicagel.
- Class I insulation.
- High class of waterproof and dustproof.

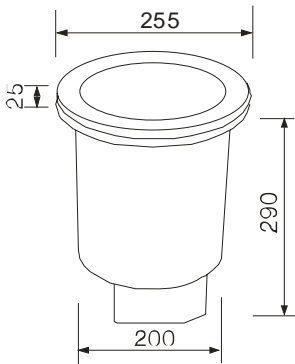
应用范围 Applications

林荫、道路、公园、广场、庭院、步行街等场所。

Path, road along river, park, square, courtyard, commercial area etc.



产品尺寸 size



技术参数 Product Parameter

IP
67

型号 Model	光源/灯功率 lamp	灯头 Base	电压/频率 Voltage & frequency
HQBN - 35L/MD201	MH 35W	G12	220V/50Hz
HQBN - 70L/MD201	MH 70W	G12/Rx7s	220V/50Hz
HQBN - 150L/MD201	MH 150W	G12/Rx7s	220V/50Hz

庭院灯具系列 TY01
Courtyard lighting series

产品特点 Material & Characteristic

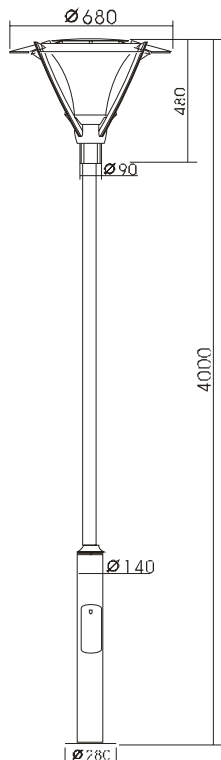
- 铝合金压铸构成灯具主体，表面经防腐蚀静电喷涂处理，持久耐用。
- 采用高强度棱晶聚合碳纤维透光罩，透光性能好，强度高，低眩光。
- 顶部开启，便于更换光源和日常维护。
- 安装管径：60-110mm。
- 安装高度：3-4m。
- Main body cast by aluminum alloy, outside disposal with anticorrosive static electricity plastic - spur, perdurable.
- Polymeric carbonfiber transparent mask with high intensity prism, good transparency, high intensity, low dazzle.
- Open on top, convenient for changing of illuminant and repairing.
- Fixing caliber 60~110mm.
- Fixing height: 3~4m.



应用范围 Applications

林荫、道路、公园、广场、庭院、步行街等场所。
Path, road along river, park, square, courtyard, commercial area etc.

产品尺寸 size



技术参数 Product Parameter IP43

型号 Model	光源/灯功率 lamp	灯头 Base	电压/频率 Voltage & frequency
HQBN-70L/TY01	MH 70W	E27/Rx7s	220V/50Hz
HQBN-150L/TY01	MH 150W	E27/Rx7s	220V/50Hz

产品特点 Material & Characteristic

- 铝合金压铸构成灯具体体，表面经防腐蚀静电喷涂处理，持久耐用。
 - 优质铝制成格栅反射罩，精心设计成蝶形配光，减少不必要的光污染。
 - 采用高强度透明透光罩，透光性能好，强度高。
 - 灯罩外配有优质钢固定架。
 - 灯具防护灯具IP65。
 - 开启方便，便于更换光源和日常维护。
 - 安装管径：60-110mm。
 - 安装高度：3-4m。
- Main body cast by aluminum alloy, outside disposal with anti corrosive static electricity plastic - spur, perdurable.
 - Fence reflective mask made by high quality aluminum, butterfly - shaped match light with elaborate design, lessen unnecessary lighting pollution.
 - Adopt high intensity transparent mask, high transparency. Protective class Ip55.
 - Convenient for opening, changing of illuminant and repairing.
 - Fixing caliber 60-110mm.
 - Fixing height: 3-4m.

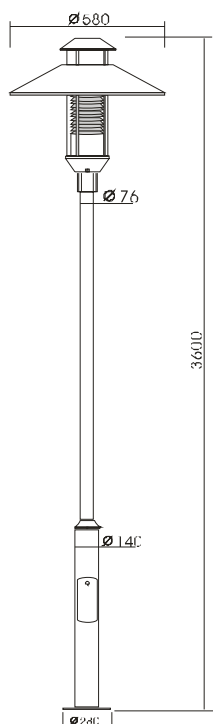


应用范围 Applications

林荫、道路、公园、广场、庭院、步行街等场所。

Path, road along river, park, square, courtyard, commercial area etc.

产品尺寸 size



技术参数 Product Parameter

IP65

型号 Model	光源/灯功率 lamp	灯头 Base	电压/频率 Voltage & frequency
HQBN-70L/TY03	MH 70W	E27/Rx7s	220V/50Hz
HQBN-150L/TY03	MH 150W	E27/Rx7s	220V/50Hz

庭院灯具系列 TY05
Courtyard lighting series

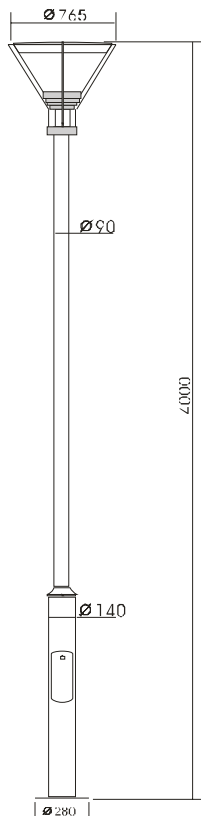
产品特点 Material & Characteristic

- 铝合金压铸构成灯具主体，表面经防腐蚀静电喷涂处理，持久耐用。
 - 反射照明灯罩，间接照明、低眩光、光线均匀、柔和。
 - 采用平面钢化玻璃透光，透光性强。
 - 开启方便，便于更换光源和日常维护。
 - 安装管径：60-90mm。
 - 安装高度：3-4m。
- Main body cast by aluminum alloy, outside disposal with anti corrosive static electricity plastic-spraying, perdurable.
 - Lamp-chimney of reflective lighting, in directive lighting, low dazzle, symmetrical and soft light.
 - Adopt transparency with plane-toughened glass, good transparency.
 - Convenient for opening, changing of illuminant and repairing.
 - Fixing caliber 60~90mm.
 - Fixing height: 4~5m.

应用范围 Applications

林荫、道路、公园、广场、庭院、步行街等场所。
Path, road along river, park, square, courtyard, commercial area etc.

产品尺寸 size



技术参数 Product Parameter IP65

型号 Model	光源/灯功率 lamp	灯头 Base	电压/频率 Voltage & frequency
HQBN-70L/TY05	MH 70W	E27/Rx7s	220V/50Hz
HQBN-150L/TY05	MH 150W	E27/Rx7s	220V/50Hz

电源电压 AC:220V~230V/50Hz

型号 Model	产品代码 Code	灯功率 Lamp wattage W	工作电流 Working current A	镇流器 Ballast	触发器 Ignitor	电容器 Capacitor	接线图 Wiring diagram
-------------	--------------	--------------------------	------------------------------	----------------	----------------	------------------	-----------------------

T型高压钠灯与电器配套（阻抗式） High-pressure sodium lamp electric appliance(Impedance)

HQ/NG50-T	2610203001	50	0.76	HQ220050NG50Z	HQCD-7	HQCC-8	A
HQ/NG70-T	2610204001	70	0.98	HQ220050NG70Z	HQCD-7	HQCC-12	A
HQ/NG100-T	2610206001	100	1.20	HQ220050NG100Z	HQCD-7	HQCC-12	A
HQ/NG110-T	2610207001	110	1.20	HQ220050NG110Z	HQCD-7	HQCC-12	A
HQ/NG150-T1	2610209001	150	1.80	HQ220050NG150Z	HQCD-7	HQCC-18	A
HQ/NG150-T2	2610209002	150	1.80	HQ220050NG150Z	HQCD-7	HQCC-18	A
HQ/NG250-T	2610212001	250	3.00	HQ220050NG250Z	HQCD-7	HQCC-32	A
HQ/NG400-T	2610217001	400	4.60	HQ220050NG400Z	HQCD-7	HQCC-50	A
HQ/NG600-T	2610219001	600	6.20	HQ220050NG600Z	HQIG-N	HQCC-60	A
HQ/NG1000-T	2610222001	1000	10.30	HQ220050NG1000Z	HQIG-N	HQCC-100	A

高压钠灯与电器配套（阻抗式） High-pressure sodium lamp electric appliance(Impedance)

HQ/NG70-ED1	2610204009	70	0.98	HQ220050NG70Z	HQCD-7	HQCC-12	A
HQ/NG70-ED2	2610204004	70	0.98	HQ220050NG70Z	HQCD-7	HQCC-12	A
HQ/NG100-ED1	2610206007	100	1.20	HQ220050NG100Z	HQCD-7	HQCC-12	A
HQ/NG100-ED2	2610206005	100	1.20	HQ220050NG100Z	HQCD-7	HQCC-12	A
HQ/NG150-ED1	2610209010	150	1.80	HQ220050NG150Z	HQCD-7	HQCC-18	A
HQ/NG150-ED2	2610209009	150	1.80	HQ220050NG150Z	HQCD-7	HQCC-18	A
HQ/NG150-BT	2610209005	150	1.80	HQ220050NG150Z	HQCD-7	HQCC-18	A
HQ/NG250-BT	2610212003	250	3.00	HQ220050NG250Z	HQCD-7	HQCC-32	A
HQ/NG400-BT	2610217004	400	4.60	HQ220050NG400Z	HQCD-7	HQCC-50	A

涂粉高压钠灯与电器配套（阻抗式） High-pressure sodium lamp coated bulb electric appliance(Impedance)

HQ/NG70-ED1/P	2610204005	70	0.98	HQ220050NG70Z	HQCD-7	HQCC-12	A
HQ/NG70-ED2/P	2610204006	70	0.98	HQ220050NG70Z	HQCD-7	HQCC-12	A
HQ/NG100-ED1/P	2610206006	100	1.20	HQ220050NG100Z	HQCD-7	HQCC-12	A
HQ/NG100-ED2/P	2610206003	100	1.20	HQ220050NG100Z	HQCD-7	HQCC-12	A
HQ/NG150-ED1/P	2610209006	150	1.80	HQ220050NG150Z	HQCD-7	HQCC-18	A
HQ/NG150-ED2/P	2610209007	150	1.80	HQ220050NG150Z	HQCD-7	HQCC-18	A
HQ/NG250-BT/P	2610212004	250	3.00	HQ220050NG250Z	HQCD-7	HQCC-32	A

双端钠灯与电器配套（阻抗式） Double-ended high pressure sodium lamp electric appliance(Impedance)

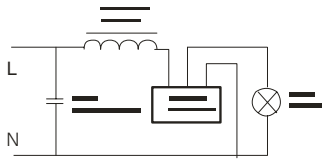
HQ/NG70-TD	2610204003	70	0.98	HQ220050NG70Z	HQCD-7	HQCC-12	A
HQ/NG150-TD	2610209003	150	1.80	HQ220050NG150Z	HQCD-7	HQCC-18	A

电源电压 AC:220V~230V/50Hz

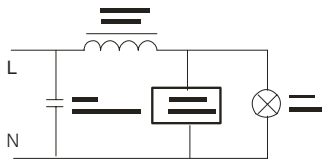
型号 Model	产品代码 Code	灯功率 Lamp wattage W	工作电流 Working current A	镇流器 Ballast	触发器 Ignitor	电容器 Capacitor	接线图 Wiring diagram
小功率金属卤化物灯与电器配套 (阻抗式) Low - power European standard metal halide lamp electric appliance(Impedance)							
HQ/JLZ50 - ED	2620903004	50	0.62	HQ220050NG50Z	HQCD - 7	HQCC - 8	A
HQ/JLZ70 - ED1	2610904014	70	0.98	HQ220050NG70Z	HQCD - 7	HQCC - 12	A
HQ/JLZ70 - ED2	2610904009	70	0.98	HQ220050NG70Z	HQCD - 7	HQCC - 12	A
HQ/JLZ100 - ED1	2610906001	100	1.10	HQ220050NG100Z	HQCD - 7	HQCC - 12	A
HQ/JLZ100 - ED2	2610906004	100	1.10	HQ220050NG100Z	HQCD - 7	HQCC - 12	A
HQ/JLZ150 - ED1	2610909020	150	1.80	HQ220050NG150Z	HQCD - 7	HQCC - 18	A
HQ/JLZ150 - ED2	2610909008	150	1.80	HQ220050NG150Z	HQCD - 7	HQCC - 18	A
泡型美标金属卤化物灯与电器配套 (阻抗式) American standard metal halide lamp with Elliptical bulbs electric appliance(Impedance)							
HQ/JLZ175 - ED1	2610410001	175	1.50	HQ220050GGY175Z	HQIG - NGL	HQCC - 12	A
HQ/JLZ175 - ED2	2610410002	175	1.50	HQ220050GGY175Z	HQIG - NGL	HQCC - 12	A
HQ/JLZ250 - ED	2610412005	250	2.10	HQ220050GGY250Z	HQIG - NGL	HQCC - 18	A
HQ/JLZ400 - ED	2610417006	400	3.25	HQ220050GGY400Z	HQIG - NGL	HQCC - 28	A
泡型美标金属卤化物灯与电器配套(漏磁式) American standard metal halide lamp with Elliptical bulbs electric appliance(leakage magnetic)							
HQ/JLZ175 - ED1	2610410001	175	1.50	HQ220050JLZ175Z	—	HQCS - 13	D
HQ/JLZ175 - ED2	2610410002	175	1.50	HQ220050JLZ175Z	—	HQCS - 13	D
HQ/JLZ250 - ED	2610412005	250	2.10	HQ220050JLZ250Z	—	HQCS - 19	D
HQ/JLZ400 - ED	2610417006	400	3.25	HQ220050JLZ400Z	—	HQCS - 28	D
HQ/JLZ1000 - BT	2610422001	1000	4.10	HQ220050JLZ1000Z	—	HQCS - 30	D
HQ/JLZ2000 - BT	2610426001	2000	10.30	HQ220050MH2000LTC	HQIG - N3	HQCS - 68	D
涂粉金属卤化物灯与电器配套 (阻抗式) Metal halide with coated bulb electric appliance(Impedance)							
HQ/JLZ175 - ED/P	2610410009	175	1.50	HQ220050GGY175Z	HQIG - NGL	HQCC - 12	A
HQ/JLZ250 - ED/P	2610412010	250	2.10	HQ220050GGY250Z	HQIG - NGL	HQCC - 18	A
HQ/JLZ400 - ED/P	2610417001	400	3.25	HQ220050GGY400Z	HQIG - NGL	HQCC - 28	A
直管欧标型金属卤化物灯与电器配套 (阻抗式) European standard metal halide lamp with single - ended electric appliance(Impedance)							
HQ/MH1000 - TT	2610922001	1000	8.25	HQ220050MH1000Z	HQIG - N	HQCC - 64	A
直管美标型金属卤化物灯与电器配套 (阻抗式) American standard metal halide lamp with single - ended electric appliance(Impedance)							
HQ/JLZ70 - T	2610904005	70	0.98	HQ220050NG70Z	HQIG - NGL	HQCC - 12	A
HQ/JLZ100 - T	2610906007	100	1.20	HQ220050NG100Z	HQIG - NGL	HQCC - 12	A
HQ/JLZ150 - T	2610909009	150	1.80	HQ220050NG150Z	HQIG - NGL	HQCC - 18	A
HQ/JLZ175 - T1	2610410006	175	1.50	HQ220050GGY175Z	HQIG - NGL	HQCC - 12	A
HQ/JLZ175 - T2	2610410007	250	2.10	HQ220050GGY175Z	HQIG - NGL	HQCC - 18	A
HQ/JLZ250 - T	2610412001	250	2.10	HQ220050GGY250Z	HQIG - NGL	HQCC - 18	A
HQ/JLZ400 - TO	2610417004	400	3.25	HQ220050GGY400Z	HQIG - NGL	HQCC - 28	A
直管美标型金属卤化物灯与电器配套 (漏磁式) American standard metal halide lamp with single - ended electric appliance(leakage magnetic)							
HQ/JLZ175 - T	2610410006	175	1.50	HQ220050JLZ175Z	—	HQCS - 13	D
HQ/JLZ250 - T	2610412001	250	2.10	HQ220050JLZ250Z	—	HQCS - 19	D
HQ/JLZ400 - TO	2610417004	400	3.25	HQ220050JLZ400Z	—	HQCS - 28	D
HQ/JLZ1000 - TT	2610422003	1000	4.10	HQ220050JLZ1000Z	—	HQCS - 30	D
金属卤化物灯(渔船灯专用)与电器配套 (漏磁式) Metal Halide lamp(special for fisher lighting) electric appliance(leakage magnetic)							
HQ/JLZ1000 - BT	2610422002	1000	4.10	HQ220050JLZ1000Z	—	HQCS - 30	D
HQ/JLZ2000 - BT	2610426003	2000	10.30	HQ220050MH2000LTC	HQIG - N3	HQCS - 68	G
HQ/JLZ2000 - TT	2610426004	2000	10.30	HQ220050MH2000LTC	HQIG - N3	HQCS - 68	G
小功率双端金属卤化物灯与电器配套 (阻抗式) Low - power double - ended metal halide lamp electric appliance(Impedance)							
HQ/MH70 - TD	2610904002	70	0.98	HQ220050NG70Z	HQCD - 7	HQCC - 12	A
HQ/MH100 - TD	2610906002	100	1.10	HQ220050NG150Z	HQCD - 7	HQCC - 12	A
HQ/MH150 - TD	2610909001	150	1.80	HQ220050NG150Z	HQCD - 7	HQCC - 18	A

电源电压 AC:220V~230V/50Hz

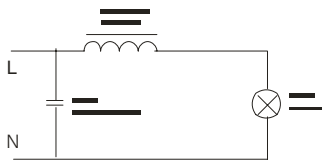
型号 Model	产品代码 Code	灯功率 Lamp wattage W	工作电流 Working current A	镇流器 Ballast	触发器 Ignitor	电容器 Capacitor	接线图 Wiring diagram
G12金属卤化物灯与电器配套 (阻抗式) G12 Metal Halide lamp electric appliance(Impedance)							
HQ/MH70-T3	2610904007	70	0.98	HQ220050NG70Z	HQCD-7	HQCC-12	A
HQ/MH100-T3	2610906009	100	1.10	HQ220050NG100Z	HQCD-7	HQCC-12	A
HQ/MH150-T3	2610909022	150	1.80	HQ220050NG150Z	HQCD-7	HQCC-18	A
彩色金属卤化物灯与电器配套(阻抗式) Color metal halide lamps electric appliance(Impedance)							
HQ/JLC70-ED	2610404001	70	0.98	HQ220050NG70Z	HQCD-7	HQCC-12	A
HQ/JLC150-ED	2610409001	150	1.80	HQ220050NG150Z	HQCD-7	HQCC-18	A
HQ/JLC175-T/ED	2610410004	175	1.50	HQ220050GGY175Z	HQIG-NGL	HQCC-12	A
HQ/JLC250-T/ED	2610412004	250	2.13	HQ220050GGY250Z	HQIG-NGL	HQCC-18	A
HQ/JLC400-TO/ED	2610417002	400	3.25	HQ220050GGY400Z	HQIG-NGL	HQCC-28	A
PS金属卤化物灯与电器配套 (阻抗式) PS Metal Halide lamp electric appliance(Impedance)							
HQ/PS175-ED	2610410101	175	1.50	HQ220050GGY175Z	HQIG-NGL	HQCC-12	A
HQ/PS175-ED2	2610410102	175	1.50	HQ220050GGY175Z	HQIG-NGL	HQCC-12	A
HQ/PS250-ED	2610412104	250	2.13	HQ220050GGY250Z	HQIG-NGL	HQCC-18	A
HQ/PS250-T	2610412105	250	2.13	HQ220050GGY250Z	HQIG-NGL	HQCC-18	A
HQ/PS400-TO	2610417104	400	3.25	HQ220050GGY400Z	HQIG-NGL	HQCC-28	A
HQ/PS400-ED	2610417103	400	3.25	HQ220050GGY400Z	HQIG-NGL	HQCC-28	A
UPS金属卤化物灯与电器配套 (阻抗式) UPS Metal Halide lamp electric appliance(Impedance)							
HQ/UPS250-ED	2610412102	250	2.13	HQ220050GGY250Z	HQIG-NGL	HQCC-18	A
HQ/UPS400-ED	2610417102	400	3.25	HQ220050GGY400Z	HQIG-NGL	HQCC-28	A
HQ/UPS250-T	2610412103	250	2.13	HQ220050GGY250Z	HQIG-NGL	HQCC-18	A
HQ/UPS400-TO	2610417105	400	3.25	HQ220050GGY400Z	HQIG-NGL	HQCC-28	A
荧光高压汞灯与电器配套 (阻抗式) High pressure fluorescent mercury bulb electric appliance(Impedance)							
HQ/GGY50-ED	2610103001	50	0.61	HQ220050GGY50Z	-	HQCC-6	C
HQ/GGY80-ED	2610105002	80	0.85	HQ220050GGY80Z	-	HQCC-8	C
HQ/GGY125-ED	2610108001	125	1.15	HQ220050GGY125Z	-	HQCC-10	C
HQ/GGY175-ED	2610110002	175	1.50	HQ220050GGY175Z	-	HQCC-12	C
HQ/GGY250-ED	2610112001	250	2.13	HQ220050GGY250Z	-	HQCC-18	C
HQ/GGY400-ED	2610117001	400	3.25	HQ220050GGY400Z	-	HQCC-28	C
HQ/GGY1000-BT	2610122001	1000	7.50	HQ220050GGY1000Z	-	HQCC-55	C
自镇流荧光高压汞灯 Self-ballasted high pressure fluorescent mercury bulb electric appliance(Impedance)							
HQ/GYZ125-ED	2610108002	125	-	-	-	-	L
HQ/GYZ160-ED	2610131001	160	-	-	-	-	L
HQ/GYZ250-ED	2610112002	250	-	-	-	-	L
HQ/GYZ400-ED	2610132001	400	-	-	-	-	L



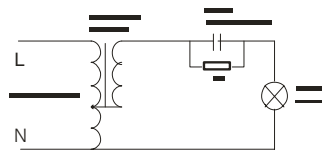
接线图A
Wiring diagram A



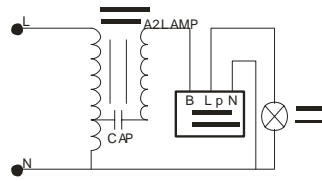
接线图B
Wiring diagram B



接线图C
Wiring diagram C



接线图D
Wiring diagram D



接线图G
Wiring diagram G



接线图L
Wiring diagram L



CNL 中照光电

佛山市中照光电科技有限公司

FOSHAN CNL OPTOELECTRONIC TECHNOLOGY CO., LTD.

地 址：广东省佛山市南海区西樵镇西岸工业区

邮 编：528211

电 话：86-757-86802068 86802238

客服热线：86-757-81892662

传 真：86-757-86802163

E-mail: CNL@cnl-lighting.com

Website: www.CNL-lighting.com

Add: Xi'an Industrial Park, Xiqiao Town, Foshan City,
Guangdong Province, P. R. China

Postcode: 528211

Tel: 86-757-86802068 86802238

Hotline: 86-757-81892662

Fax: 86-757-86802163